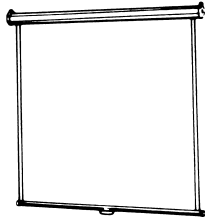
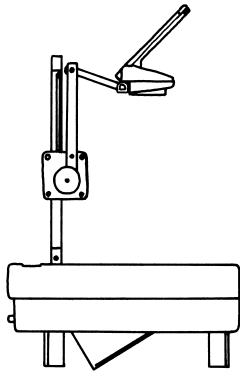


**DA-LITE IS MORE  
THAN PROJECTION SCREENS**

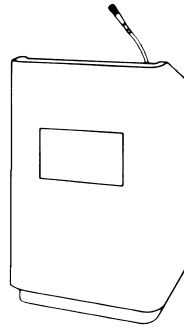
Da-Lite Tripod, Wall and  
Ceiling and Electric Screens



Da-Lite Overhead and  
Opaque Projectors



Da-Lite  
Model 5000 Portable



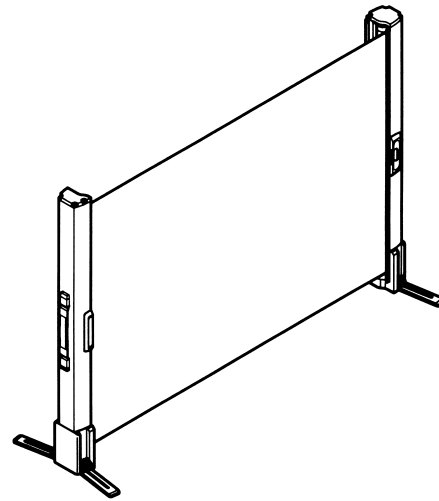
Da-Lite Lecterns  
Communications  
Cabinets



Da-Lite  
Project-O-Stands  
and Easels

**DA-LITE**

**PRESENTER**



**OPERATING INSTRUCTIONS  
FOR  
P-40/P-50**

**DA-LITE SCREEN  
COMPANY, INC.**  
3100 North Detroit Street  
Post Office Box 137  
Warsaw, IN 46581-0137  
Phone: 219/267-8101  
800-622-3737  
Fax: 219/267-7804  
www.da-lite.com  
info@da-lite.com

**YOU HAVE MADE A WISE SELECTION...**

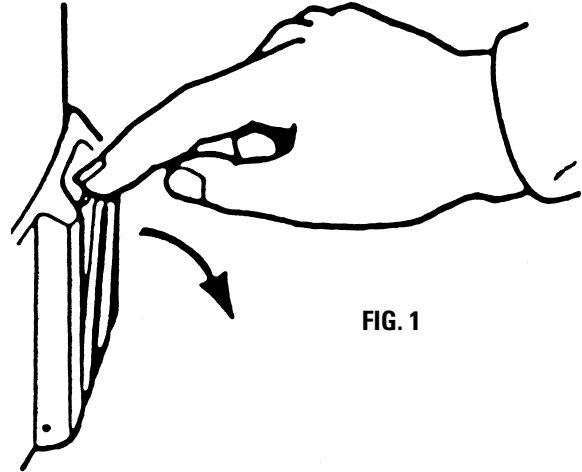
in choosing a Da-Lite projection screen, designed and engineered to produce the sharpest, most pleasing pictures with maximum convenience.

**SAFETY PRECAUTIONS**

- Do not place the screen near open flames or other heat sources.
- Do not place near an open window or fan, the air movement will affect picture quality and could cause the screen to fall over.
- Only place screen on a flat level surface. Failure to do so could result in damage to the screen.

**SETTING UP YOUR SCREEN**

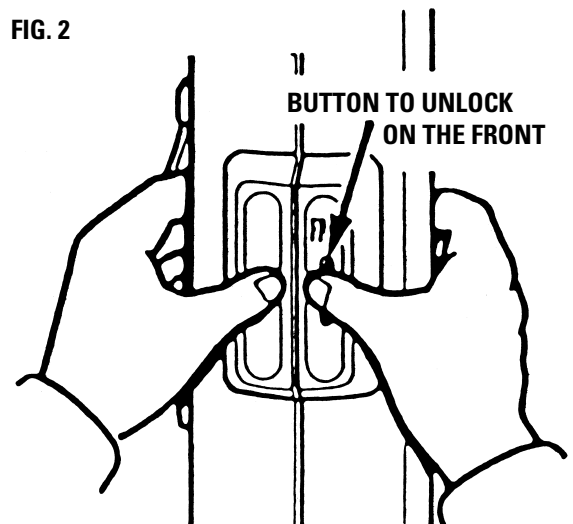
1. Identify the location you will set up the screen. Make sure the location is level.
2. Pull down the four legs. Keep the screen in an upright position; make sure the legs are fully down and in the locked position. See Fig. 1.



**FIG. 1**

3. Firmly grasp the handgrips on each side of the case with both hands. Push in on the buttons to unlock the case. See Fig. 2.

**FIG. 2**

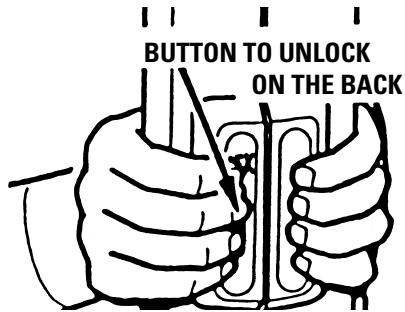


**BUTTON TO UNLOCK  
ON THE FRONT**

## SETTING UP YOUR SCREEN

4. Pull the case apart slowly to extend the screen. See Fig. 3.

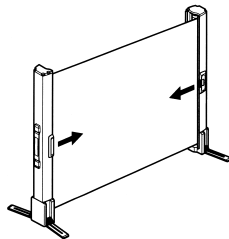
FIG. 3



## CLOSING THE SCREEN

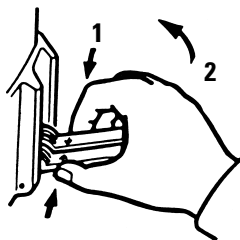
1. Firmly grasp both grips with both hands. Lift the case slightly above the surface while at the same time slowly moving both halves of the case together allowing the screen to retract into the case. Once closed, press firmly to lock the case. See Fig. 4.

FIG. 4



2. Fold the four legs back in place against the case. To do this, grip the base of the leg and squeeze in the direction indicated by the arrows in Fig. 5.

FIG. 5



## CLEANING

### CASE

Clean the case with a soft, dry cloth. A mixture of mild detergent and water can be used to clean stains.

Do not use any type of solvent such as benzene, alcohol or paint thinner. These could damage the case finish.

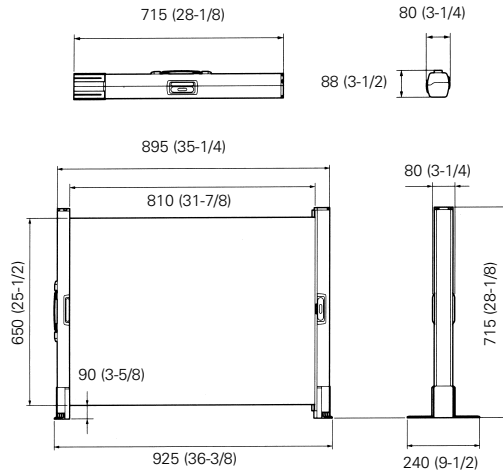
### SCREEN

The screen can be cleaned with a soft, dry cloth or soft brush to remove dust.

For dirt or stains, a mixture of mild detergent and water can be used on a soft cloth. Rub the spot lightly and let the screen dry completely before storing.

Do not use any type of solvent such as benzene, or paint thinner. This could damage the screen surface.

## SPECIFICATIONS P-40



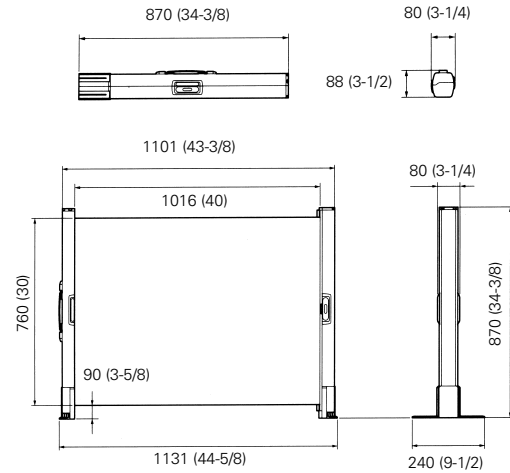
DIMENSIONS: See Drawing  
mm  
(inches)

SHIPPING DIMENSIONS: 145 x 140 x 753  
5-3/4" x 5-1/2" x 29-5/8"

WEIGHT OF UNIT: 2.0 kg  
4.4 lbs.

SHIPPING WEIGHT: 2.5 kg  
5.5 lbs.

## SPECIFICATIONS P-50



DIMENSIONS: See Drawing  
mm  
(inches)

SHIPPING DIMENSIONS: 145 x 140 x 930  
5-3/4" x 5-1/2" x 36-5/8"

WEIGHT OF UNIT: 2.3 kg  
5.1 lbs.

SHIPPING WEIGHT: 2.9 kg  
6.4 lbs.