

# MODEL C

Item No.	Da-Lite Part No.	Description	Quantity Required	List Price Each
1	78011	Screw for pin end and spring end assembly for 3" and 3.25" rollers . . . . .	6	\$0.14
2	58390	Insert for pin end cap for 3" and 3.25" rollers . . . . .	1	9.00
	80765	Roller plug for 1 3/4" roller (not shown) . . . . .	1	2.30
3	87059	Screw for end caps . . . . .	10	0.26
4	97735	Pin end cap, white plastic for screens with 1 3/4" roller . . . . .	1	12.10
	77263	Pin end cap, white metal for screens with 3" and 3.25" rollers . . . . .	1	15.30
5	78342	White case for 50" screens. . . . .	1	44.80
	78343	White case for 60" and 72" diag. screens. . . . .	1	48.10
	78344	White case for 70" and 84" diag. screens. . . . .	1	52.50
	33636WHITE	White case for 72" screens. . . . .	1	55.70
	78345	White case for 84", 100" diag., 92" diag. and 94" diag. screens . . . . .	1	63.40
	78283	White case for 8', 120" diag. and 106" diag. screens . . . . .	1	71.00
	94724	White case for 110" diag. and 113" diag. screens . . . . .	1	73.20
	78312	White case for 9' and 119" diag. screens . . . . .	1	75.40
	35021WHITE	White case for 130" diag. screens . . . . .	1	76.40
	78307	White case for 10', 150" diag. and 133" diag. screens . . . . .	1	79.80
	78313	White case for 12', 180" diag. and 159" diag. screens . . . . .	1	91.80
	92026	White case for 200" diag. screens . . . . .	1	94.00
6	79711	Slat stop for screens with metal end cap. . . . .	2	3.00
7	33401	Screw for slat stop . . . . .	2	0.22
8	97736	Spring end cap, white plastic for screens with 1 3/4" roller . . . . .	1	12.10
	77264	Spring end cap, white metal for screens with 3" and 3.25" rollers . . . . .	1	16.00
9		Roller assemblies include items #1, 2 (plug), and 15		
	93957	1 3/4" roller assy. for 50" screens (not shown) . . . . .	1	37.20
	93958	1 3/4" roller assy. for 60" and 72" diag. screens (not shown) . . . . .	1	39.40
	93959	1 3/4" roller assy. for 70" and 84" diag. screens (not shown) . . . . .	1	41.60
	33645	1 3/4" roller assy. for 72" screens (not shown) . . . . .	1	42.00
	57707	Roller assy. for 84", 100" diag., 92" diag. and 94" diag. screens . . . . .	1	155.00
	57686	Roller assy. for 8', 120" diag. and 106" diag. screens . . . . .	1	158.00
	72403	Roller assy. for 110" diag. and 113" diag. screens . . . . .	1	160.00
	57687	Roller assy. for 9' screens . . . . .	1	162.00
	37155	Roller assy. for 119" diag. screens . . . . .	1	162.00
	35800	Roller assy. for 130" diag. screens . . . . .	1	166.00
	57688	Roller assy. for 10' and 150" diag. screens . . . . .	1	164.00
	37156	Roller assy. for 133" diag. screens . . . . .	1	170.00
	57685	Roller assy. for 12', 180" diag., 159" diag. and 164" diag. screens. . . . .	1	170.00
	92029	Roller assy. for 200" diag. screens . . . . .	1	174.00
10	78224	Insert for spring end cap for 3" and 3.25" rollers . . . . .	1	6.40
11	44726	Screw for dog for 3" and 3.25" rollers. . . . .	1	0.28
12	98223	Pawl (dog) for 3" and 3.25" rollers. . . . .	1	1.50
13	57705	Plug and spear assy. for 3" roller (includes #11 and 12) . . . . .	1	31.30
	96411	Plug and spear assy. for 3.25" roller (includes #11 and 12). . . . .	1	31.30
14	45118	Plastic anchor for spring assy. for 3" roller . . . . .	1	2.50
	35637	Plastic anchor for spring assy. for 3.25" roller. . . . .	1	2.50
15	93495	Spring assy. for 1 3/4" roller (not shown) . . . . .	1	27.90
	57706	Spring assy. for 3" roller (includes #13 and 14) . . . . .	1	100.00
	96385	Spring assy. for 3.25" roller (includes #13 and 14) . . . . .	1	100.00
16	90854	Fabric, Matte White 50" x 50". . . . .	1	71.40
	93232	Fabric, High Contrast Matte White 50" x 50" . . . . .	1	90.30
	90856	Fabric, Video Spectra 1.5 50" x 50" . . . . .	1	90.30
	90974	Fabric, Silver Matte 50" x 50" . . . . .	1	90.30
	90857	Fabric, High Power 50" x 50". . . . .	1	320.00

Portable and Wall Screens

# MODEL C

Item No.	Da-Lite Part No.	Description	Quantity Required	List Price Each
	90858	Fabric, Matte White 60" x 60" . . . . .	1	\$113.00
	92780	Fabric, High Contrast Matte White 60" x 60" . . . . .	1	126.00
	90860	Fabric, Video Spectra 1.5 60" x 60" . . . . .	1	126.00
	90975	Fabric, Silver Matte 60" x 60" . . . . .	1	126.00
	90861	Fabric, High Power 60" x 60" . . . . .	1	364.00
	90862	Fabric, Matte White 70" x 70" . . . . .	1	141.00
	92799	Fabric, High Contrast Matte White 70" x 70" . . . . .	1	155.00
	90864	Fabric, Video Spectra 1.5 70" x 70" . . . . .	1	155.00
	90976	Fabric, Silver Matte 70" x 70" . . . . .	1	155.00
	90865	Fabric, High Power 70" x 70" . . . . .	1	386.00
	34293	Fabric, Matte White 72" x 72" . . . . .	1	151.00
	37113	Fabric, High Contrast Matte White 72" x 72" . . . . .	1	166.00
	37114	Fabric, Video Spectra 1.5 72" x 72" . . . . .	1	166.00
	37115	Fabric, Silver Matte 72" x 72" . . . . .	1	166.00
	34295	Fabric, High Power 72" x 72" . . . . .	1	396.00
	76103	Fabric, Matte White 84" x 84" . . . . .	1	228.00
	92802	Fabric, High Contrast Matte White 84" x 84" . . . . .	1	254.00
	83078	Fabric, Video Spectra 1.5 84" x 84" . . . . .	1	254.00
	90622	Fabric, Silver Matte 84" x 84" . . . . .	1	254.00
	83590	Fabric, High Power 84" x 84" . . . . .	1	486.00
	74342	Fabric, Matte White 6' x 8' . . . . .	1	292.00
	92811	Fabric, High Contrast Matte White 6' x 8' . . . . .	1	320.00
	83085	Fabric, Video Spectra 1.5 6' x 8' . . . . .	1	320.00
	90628	Fabric, Silver Matte 6' x 8' . . . . .	1	320.00
	78702	Fabric, High Power 6' x 8' . . . . .	1	538.00
	46124	Fabric, Matte White 8' x 8' . . . . .	1	330.00
	92804	Fabric, High Contrast Matte White 8' x 8' . . . . .	1	364.00
	83080	Fabric, Video Spectra 1.5 8' x 8' . . . . .	1	364.00
	90624	Fabric, Silver Matte 8' x 8' . . . . .	1	364.00
	83591	Fabric, High Power 8' x 8' . . . . .	1	580.00
	46125	Fabric, Matte White 7' x 9' . . . . .	1	340.00
	92805	Fabric, High Contrast Matte White 7' x 9' . . . . .	1	374.00
	83081	Fabric, Video Spectra 1.5 7' x 9' . . . . .	1	374.00
	90625	Fabric, Silver Matte 7' x 9' . . . . .	1	374.00
	83592	Fabric, High Power 7' x 9' . . . . .	1	708.00
	46126	Fabric, Matte White 9' x 9' . . . . .	1	526.00
	83593	Fabric, High Power 9' x 9' . . . . .	1	738.00
	46127	Fabric, Matte White 8' x 10' . . . . .	1	394.00
	92806	Fabric, High Contrast Matte White 8' x 10' . . . . .	1	432.00
	83083	Fabric, Video Spectra 1.5 8' x 10' . . . . .	1	432.00
	90626	Fabric, Silver Matte 8' x 10' . . . . .	1	432.00
	83595	Fabric, High Power 8' x 10' . . . . .	1	752.00
	46128	Fabric, Matte White 10' x 10' . . . . .	1	656.00
	83596	Fabric, High Power 10' x 10' . . . . .	1	796.00
	77294	Fabric, Matte White 9' x 12' . . . . .	1	744.00
	83600	Fabric, High Power 9' x 12' . . . . .	1	814.00
	46130	Fabric, Matte White 12' x 12' . . . . .	1	588.00
	93475	Fabric, Matte White 43" x 57" - 72" diag. . . . .	1	113.00
	93476	Fabric, High Contrast Matte White 43" x 57" - 72" diag. . . . .	1	126.00
	93478	Fabric, Video Spectra 1.5 43" x 57" - 72" diag. . . . .	1	126.00
	37116	Fabric, Silver Matte 43" x 57" - 72" diag. . . . .	1	126.00
	93479	Fabric, High Power 43" x 57" - 72" diag. . . . .	1	364.00

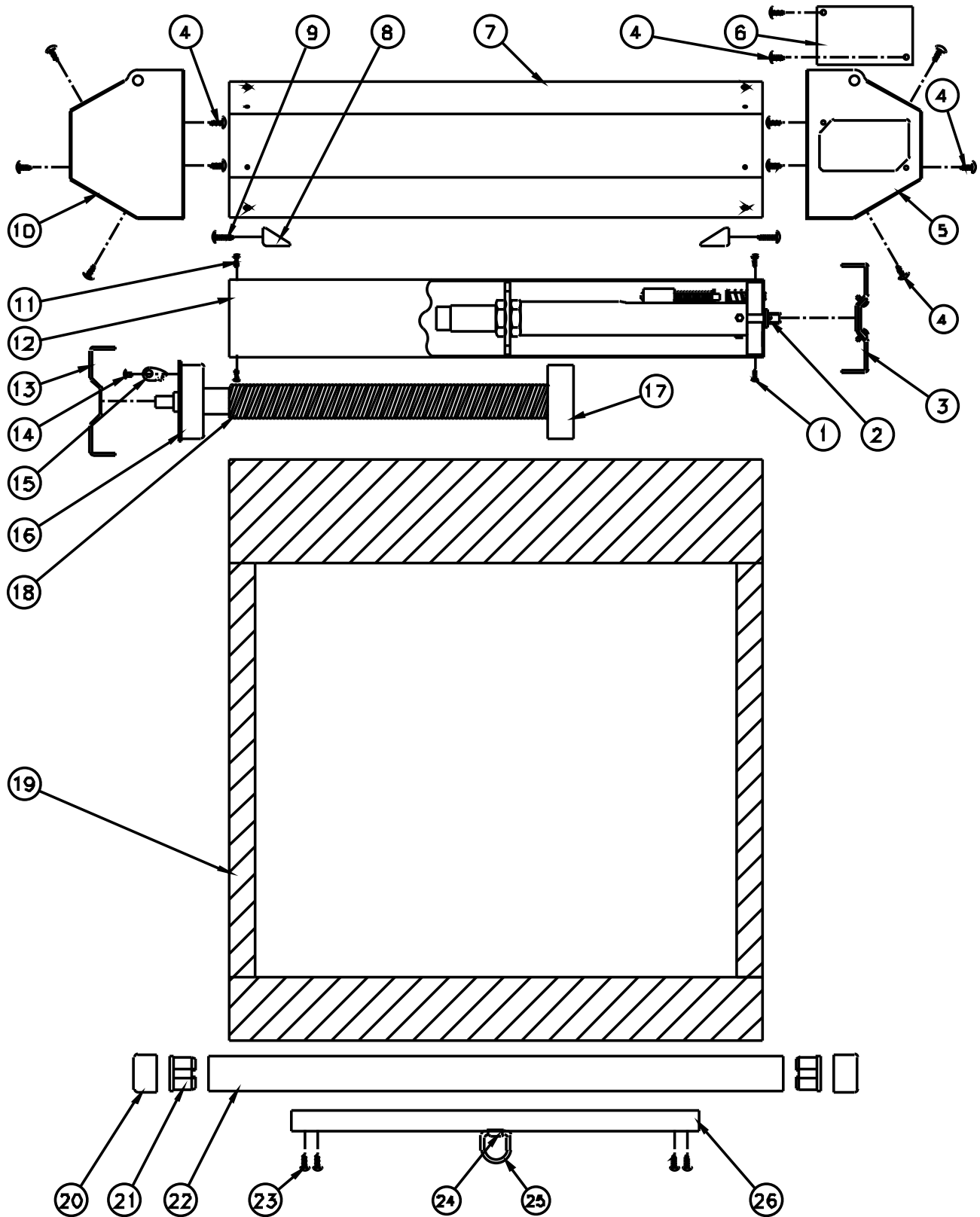
# MODEL C

Item No.	Da-Lite Part No.	Description	Quantity Required	List Price Each
	93480	Fabric, Matte White 50" x 67" - 84" diag. . . . .	1	\$141.00
	93481	Fabric, High Contrast Matte White 50" x 67" - 84" diag. . . . .	1	155.00
	93483	Fabric, Video Spectra 1.5 50" x 67" - 84" diag. . . . .	1	155.00
	93485	Fabric, Silver Matte 50" x 67" - 84" diag. . . . .	1	155.00
	93484	Fabric, High Power 50" x 67" - 84" diag. . . . .	1	386.00
	48625	Fabric, Matte White 60" x 80" - 100" diag. . . . .	1	210.00
	92810	Fabric, High Contrast Matte White 60" x 80" - 100" diag. . . . .	1	228.00
	83084	Fabric, Video Spectra 1.5 60" x 80" - 100" diag. . . . .	1	228.00
	90627	Fabric, Silver Matte 60" x 80" - 100" diag. . . . .	1	228.00
	77785	Fabric, High Power 60" x 80" - 100" diag. . . . .	1	458.00
	74342	Fabric, Matte White 69" x 92" - 120" diag. . . . .	1	292.00
	92811	Fabric, High Contrast Matte White 69" x 92" - 120" diag. . . . .	1	320.00
	83085	Fabric, Video Spectra 1.5 69" x 92" - 120" diag. . . . .	1	320.00
	90628	Fabric, Silver Matte 69" x 92" - 120" diag. . . . .	1	320.00
	78702	Fabric, High Power 69" x 92" - 120" diag. . . . .	1	538.00
	77173	Fabric, Matte White 87" x 116" - 150" diag. . . . .	1	394.00
	92812	Fabric, High Contrast Matte White 87" x 116" - 150" diag. . . . .	1	432.00
	86845	Fabric, Video Spectra 1.5 87" x 116" - 150" diag. . . . .	1	432.00
	90629	Fabric, Silver Matte 87" x 116" - 150" diag. . . . .	1	432.00
	83599	Fabric, High Power 87" x 116" - 150" diag. . . . .	1	752.00
	77294	Fabric, Matte White 105" x 140" - 180" diag. . . . .	1	744.00
	83600	Fabric, High Power 105" x 140" - 180" diag. . . . .	1	814.00
	86832	Fabric, Matte White 120" x 160" - 200" diag. . . . .	1	948.00
	84050	Fabric, Matte White 45" x 80" - 92" diag. . . . .	1	210.00
	92813	Fabric, High Contrast Matte White 45" x 80" - 92" diag. . . . .	1	228.00
	84746	Fabric, Video Spectra 1.5 45" x 80" - 92" diag. . . . .	1	228.00
	90630	Fabric, Silver Matte 45" x 80" - 92" diag. . . . .	1	228.00
	84052	Fabric, High Power 45" x 80" - 92" diag. . . . .	1	458.00
	78951	Fabric, Matte White 52" x 92" - 106" diag. . . . .	1	292.00
	92814	Fabric, High Contrast Matte White 52" x 92" - 106" diag. . . . .	1	320.00
	83086	Fabric, Video Spectra 1.5 52" x 92" - 106" diag. . . . .	1	320.00
	90631	Fabric, Silver Matte 52" x 92" - 106" diag. . . . .	1	320.00
	78953	Fabric, High Power 52" x 92" - 106" diag. . . . .	1	538.00
	94379	Fabric, Matte White 54" x 96" - 110" diag. . . . .	1	320.00
	94380	Fabric, High Contrast Matte White 54" x 96" - 110" diag. . . . .	1	350.00
	94382	Fabric, Video Spectra 1.5 54" x 96" - 110" diag. . . . .	1	350.00
	94384	Fabric, Silver Matte 54" x 96" - 110" diag. . . . .	1	350.00
	94383	Fabric, High Power 54" x 96" - 110" diag. . . . .	1	590.00
	78954	Fabric, Matte White 58" x 104" - 119" diag. . . . .	1	340.00
	92815	Fabric, High Contrast Matte White 58" x 104" - 119" diag. . . . .	1	374.00
	83087	Fabric, Video Spectra 1.5 58" x 104" - 119" diag. . . . .	1	374.00
	90632	Fabric, Silver Matte 58" x 104" - 119" diag. . . . .	1	374.00
	78956	Fabric, High Power 58" x 104" - 119" diag. . . . .	1	696.00
	78957	Fabric, Matte White 65" x 116" - 133" diag. . . . .	1	394.00
	92816	Fabric, High Contrast Matte White 65" x 116" - 133" diag. . . . .	1	432.00
	83088	Fabric, Video Spectra 1.5 65" x 116" - 133" diag. . . . .	1	432.00
	90633	Fabric, Silver Matte 65" x 116" - 133" diag. . . . .	1	432.00
	78959	Fabric, High Power 65" x 116" - 133" diag. . . . .	1	752.00
	78960	Fabric, Matte White 78" x 139" - 159" diag. . . . .	1	638.00
	92817	Fabric, High Contrast Matte White 78" x 139" - 159" diag. . . . .	1	660.00
	83089	Fabric, Video Spectra 1.5 78" x 139" - 159" diag. . . . .	1	660.00
	90634	Fabric, Silver Matte 78" x 139" - 159" diag. . . . .	1	660.00

Portable and Wall Screens

# MODEL C

Item No.	Da-Lite Part No.	Description	Quantity Required	List Price Each
	78962	Fabric, High Power 78" x 139" - 159" diag. ....	1	\$792.00
	34841	Fabric, Matte White 50" x 80" - 94" diag. ....	1	210.00
	34842	Fabric, High Contrast Matte White 50" x 80" - 94" diag. ....	1	228.00
	34843	Fabric, Video Spectra 1.5 50" x 80" - 94" diag. ....	1	228.00
	34844	Fabric, High Power 50" x 80" - 94" diag. ....	1	458.00
	34845	Fabric, Matte White 60" x 96" - 113" diag. ....	1	320.00
	34846	Fabric, High Contrast Matte White 60" x 96" - 113" diag. ....	1	350.00
	34847	Fabric, Video Spectra 1.5 60" x 96" - 113" diag. ....	1	350.00
	34848	Fabric, High Power 60" x 96" - 113" diag. ....	1	590.00
	34849	Fabric, Matte White 69" x 110" - 130" diag. ....	1	394.00
	34850	Fabric, High Contrast Matte White 69" x 110" - 130" diag. ....	1	432.00
	34851	Fabric, Video Spectra 1.5 69" x 110" - 130" diag. ....	1	432.00
	34852	Fabric, High Power 69" x 110" - 130" diag. ....	1	752.00
	34853	Fabric, Matte White 87" x 139" - 164" diag. ....	1	638.00
	34854	Fabric, High Contrast Matte White 87" x 139" - 164" diag. ....	1	660.00
	34855	Fabric, Video Spectra 1.5 87" x 139" - 164" diag. ....	1	660.00
	34856	Fabric, High Power 87" x 139" - 164" diag. ....	1	792.00
17	45120	Slat cap, black plastic . . . . .	2	1.50
18	81870	Inner slat plug . . . . .	2	0.90
19	75856	Slat for 50" screens. . . . .	1	6.40
	75857	Slat for 60" and 72" diag. screens. . . . .	1	6.90
	75858	Slat for 70" and 84" diag. screens. . . . .	1	8.10
	33638Black	Slat for 72" screens. . . . .	1	8.40
	45226	Slat for 84", 100" diag., 92" diag. and 94" diag. screens . . . . .	1	9.30
	45073	Slat for 8', 120" diag., and 106" diag. screens. . . . .	1	10.50
	72401	Slat for 110" diag. and 113" diag. screens . . . . .	1	10.90
	45074	Slat for 9' and 119" diag. screens . . . . .	1	11.90
	35020	Slat for 130" diag. screens . . . . .	1	12.20
	45075	Slat for 10', 150" diag., and 133" diag. screens. . . . .	1	13.00
	45076	Slat for 12', 180" diag., 159" diag. and 164" diag. screens . . . . .	1	15.90
	86844	Slat for 200" diag. screens . . . . .	1	19.60
20	87054	Screw for saddle assy. . . . .	8	0.24
21	76991	Bail frame for 50" through 96" screens. . . . .	1	3.50
	93855	Pop rivet for D-ring and bail frame for 50" through 96" screens (not shown). . . . .	2	0.26
22	81696	D-ring, black . . . . .	1	1.60
23	78259	Saddle assy. for 9', 110" diag., 119" diag., 113" diag., and 130" diag. screens. . . . .	1	29.10
	78260	Saddle assy. for 10', 12', 150" diag., 180" diag., 200" diag., 133" diag., 159" diag. . . . .	1	36.30
		and 164" diag. screens		
	58253	Pull cord (not shown) . . . . .	1	3.50
	98839	Packing for 50" screens. . . . .	1	37.60
	98840	Packing for 60" screens. . . . .	1	38.60
	98841	Packing for 70" screens. . . . .	1	31.70
	33655	Packing for 72" screens. . . . .	1	32.10
	95050	Packing for 84" screens. . . . .	1	48.30
	95051	Packing for 8' screens. . . . .	1	54.20
	95052	Packing for 9' screens. . . . .	1	60.30
	35022	Packing for 130" diag. screens . . . . .	1	64.30
	95053	Packing for 10' screens. . . . .	1	66.40
	95054	Packing for 12' screens. . . . .	1	76.40
	95055	Packing for 200" diag. screens . . . . .	1	85.00



# MODEL C WITH CSR

Item No.	Da-Lite Part No.	Description	Quantity Required	List Price Each
1	82998	Screw for dampener assy. for 3" and 3.25" rollers . . . . .	3	\$0.14
2	93449	Dampener assy. for 1 3/4" roller - See note #1. . . . .	1	262.00
	99473	Dampener assy. for 3" roller - See note #2. . . . .	1	262.00
	79090	Dampener assy. for 3" roller - See note #3. . . . .	1	268.00
	37671	Dampener assy. for 3.25" roller - See note #4 . . . . .	1	268.00
	93450	Dampener assy. for 10' and over screens - See note #5 . . . . .	1	268.00
3	87548	Insert assy. for dampener end cap for 1-3/4" roller . . . . .	1	6.40
	80160	Insert assy. for dampener end cap for 3" and 3.25" rollers. . . . .	1	6.40
4	87059	Screw for end caps and cover plate . . . . .	12	0.26
5	97739	Dampener end cap, white for 1 3/4" roller . . . . .	1	9.70
	80166	Dampener end cap, white for 3" and 3.25" rollers . . . . .	1	16.00
6	96412	Dampener cover plate, white . . . . .	1	5.60
7	78343	White case for 60" and 72" diag. screens with 1 3/4" roller . . . . .	1	48.10
	78344	White case for 70" and 84" diag. screens with 1 3/4" roller . . . . .	1	52.50
	33636White	White case for 72" screens with 1 3/4" roller . . . . .	1	55.70
	78345	White case for 84", 100" diag., 92" diag. and 94" diag. screens . . . . .	1	63.40
	78283	White case for 8", 120" diag., 106" diag. and 113" diag. screens . . . . .	1	71.00
	94724	White case for 110" diag. screens. . . . .	1	73.20
	78312	White case for 9' and 119" diag. screens . . . . .	1	75.40
	35021WHITE	White case for 130" diag. screens . . . . .	1	76.40
	78307	White case for 10', 150" diag. and 133" diag. screens . . . . .	1	79.80
	78313	White case for 12', 180" diag., 159" diag. and 164" diag. screens . . . . .	1	91.80
	92026	White case for 200" diag. screens . . . . .	1	94.00
8	79711	Slat stop for 3" and 3.25" rollers . . . . .	2	3.00
9	33401	Screw for slat stop . . . . .	2	0.22
10	97736	Spring end cap, white for 1-3/4" roller . . . . .	1	12.10
	77264	Spring end cap, white for 3" and 3.25" rollers . . . . .	1	16.00
11	78011	Screw for spring assy. for 3" and 3.25" rollers . . . . .	4	0.14
12		Roller assemblies include #1,2,11, and 18		
	92969	1 3/4" roller assy. for 60" and 72" diag. screens . . . . .	1	318.00
	92970	1 3/4" roller assy. for 70" and 84" diag. screens . . . . .	1	338.00
	35076	1 3/4" roller assy. for 72" screens . . . . .	1	326.00
	80185	Roller assy. for 84", 100" diag., 92" diag. and 94" diag. screens . . . . .	1	418.00
	80186	Roller assy. for 8", 120" diag., 106" diag. and 113" diag. screens. . . . .	1	420.00
	80192	Roller assy. for 110" diag. screens " . . . . .	1	422.00
	80187	Roller assy. for 9' screens . . . . .	1	424.00
	37157	Roller assy., 3.25" diam. for 119" diag. screens . . . . .	1	424.00
	35003	Roller assy. for 130" diag. Screens . . . . .	1	426.00
	80188	Roller assy., 3.25" diam. for 133" diag. screens . . . . .	1	428.00
	36377	Roller assy. for 10', 150" diag. screens . . . . .	1	428.00
	80189	Roller assy. for 12' and 180" diag. screens. . . . .	1	430.00
	36378	Roller assy. for 159" diag. and 164" diag. screens . . . . .	1	430.00
	86831	Roller assy. for 200" diag. screens " . . . . .	1	444.00
13	78224	Insert for spring end cap for 3" and 3.25" rollers . . . . .	1	6.40
14	44726	Screw for dog for 3" and 3.25" rollers. . . . .	1	0.28
15	98223	Pawl (dog) for 3" and 3.25" rollers. . . . .	1	1.50
16	57705	Plug and spear assy. for 3" roller (includes #14 and 15) . . . . .	1	31.30
	96411	Plug and spear assy. for 3.25" roller (includes #14 and 15) . . . . .	1	31.30
17	45118	Plastic anchor for spring assy. for 3" roller . . . . .	1	2.50
	35637	Plastic anchor for spring assy. for 3.25" roller. . . . .	1	2.50
18	58353	Spring assy. for 1 3/4" roller . . . . .	1	27.90
	57706	Spring assy. for 3" roller (includes #16 and 17) . . . . .	1	100.00

Portable and Wall Screens

# MODEL C WITH CSR

Item No.	Da-Lite Part No.	Description	Quantity Required	List Price Each
19	96385	Spring assy. for 3.25" roller (includes #16 and 17) . . . . .	1	\$100.00
	90858	Fabric, Matte White 60" x 60" . . . . .	1	113.00
	92780	Fabric, High Contrast Matte White 60" x 60" . . . . .	1	126.00
	90860	Fabric, Video Spectra 1.5 60" x 60" . . . . .	1	126.00
	90975	Fabric, Silver Matte 60" x 60" . . . . .	1	126.00
	90861	Fabric, High Power 60" x 60" . . . . .	1	364.00
	90862	Fabric, Matte White 70" x 70" . . . . .	1	141.00
	92799	Fabric, High Contrast Matte White 70" x 70" . . . . .	1	155.00
	90864	Fabric, Video Spectra 1.5 70" x 70" . . . . .	1	155.00
	90976	Fabric, Silver Matte 70" x 70" . . . . .	1	155.00
	90865	Fabric, High Power 70" x 70" . . . . .	1	386.00
	34293	Fabric, Matte White 72" x 72" . . . . .	1	151.00
	37113	Fabric, High Contrast Matte White 72" x 72" . . . . .	1	166.00
	37114	Fabric, Video Spectra 1.5 72" x 72" . . . . .	1	166.00
	37115	Fabric, Silver Matte 72" x 72" . . . . .	1	166.00
	34295	Fabric, High Power 72" x 72" . . . . .	1	396.00
	76103	Fabric, Matte White 84" x 84" . . . . .	1	228.00
	92802	Fabric, High Contrast Matte White 84" x 84" . . . . .	1	254.00
	83078	Fabric, Video Spectra 1.5 84" x 84" . . . . .	1	254.00
	90622	Fabric, Silver Matte 84" x 84" . . . . .	1	254.00
	83590	Fabric, High Power 84" x 84" . . . . .	1	486.00
	74342	Fabric, Matte White 6' x 8' . . . . .	1	292.00
	92811	Fabric, High Contrast Matte White 6' x 8' . . . . .	1	320.00
	83085	Fabric, Video Spectra 1.5 6' x 8' . . . . .	1	320.00
	90628	Fabric, Silver Matte 6' x 8' . . . . .	1	320.00
	78702	Fabric, High Power 6' x 8' . . . . .	1	538.00
	46124	Fabric, Matte White 8' x 8' . . . . .	1	330.00
	92804	Fabric, High Contrast Matte White 8' x 8' . . . . .	1	364.00
	83080	Fabric, Video Spectra 1.5 8' x 8' . . . . .	1	364.00
	90624	Fabric, Silver Matte 8' x 8' . . . . .	1	364.00
	83591	Fabric, High Power 8' x 8' . . . . .	1	580.00
	46125	Fabric, Matte White 7' x 9' . . . . .	1	340.00
	92805	Fabric, High Contrast Matte White 7' x 9' . . . . .	1	374.00
	83081	Fabric, Video Spectra 1.5 7' x 9' . . . . .	1	374.00
	90625	Fabric, Silver Matte 7' x 9' . . . . .	1	374.00
	83592	Fabric, High Power 7' x 9' . . . . .	1	708.00
	46126	Fabric, Matte White 9' x 9' . . . . .	1	526.00
	83593	Fabric, High Power 9' x 9' . . . . .	1	738.00
	46127	Fabric, Matte White 8' x 10' . . . . .	1	394.00
	92806	Fabric, High Contrast Matte White 8' x 10' . . . . .	1	432.00
83083	Fabric, Video Spectra 1.5 8' x 10' . . . . .	1	432.00	
90626	Fabric, Silver Matte 8' x 10' . . . . .	1	432.00	
83595	Fabric, High Power 8' x 10' . . . . .	1	752.00	
46128	Fabric, Matte White 10' x 10' . . . . .	1	656.00	
83596	Fabric, High Power 10' x 10' . . . . .	1	796.00	
77294	Fabric, Matte White 9' x 12' . . . . .	1	744.00	
83600	Fabric, High Power 9' x 12' . . . . .	1	814.00	
46130	Fabric, Matte White 12' x 12' . . . . .	1	588.00	
93475	Fabric, Matte White 43" x 57" - 72" diag. . . . .	1	113.00	
93476	Fabric, High Contrast Matte White 43" x 57" - 72" diag. . . . .	1	126.00	
93478	Fabric, Video Spectra 1.5 43" x 57" - 72" diag. . . . .	1	126.00	
37116	Fabric, Silver Matte 43" x 57" - 72" diag. . . . .	1	126.00	



# MODEL C WITH CSR

Item No.	Da-Lite Part No.	Description	Quantity Required	List Price Each
	93479	Fabric, High Power 43" x 57" - 72" diag. . . . .	1	\$364.00
	93480	Fabric, Matte White 50" x 67" - 84" diag. . . . .	1	141.00
	93481	Fabric, High Contrast Matte White 50" x 67" - 84" diag. . . . .	1	155.00
	93483	Fabric, Video Spectra 1.5 50" x 67" - 84" diag. . . . .	1	155.00
	93485	Fabric, Silver Matte 50" x 67" - 84" diag. . . . .	1	155.00
	93484	Fabric, High Power 50" x 67" - 84" diag. . . . .	1	386.00
	48625	Fabric, Matte White 60" x 80" - 100" diag. . . . .	1	210.00
	92810	Fabric, High Contrast Matte White 60" x 80" - 100" diag. . . . .	1	228.00
	83084	Fabric, Video Spectra 1.5 60" x 80" - 100" diag. . . . .	1	228.00
	90627	Fabric, Silver Matte 60" x 80" - 100" diag. . . . .	1	228.00
	77785	Fabric, High Power 60" x 80" - 100" diag. . . . .	1	458.00
	74342	Fabric, Matte White 69" x 92" - 120" diag. . . . .	1	292.00
	92811	Fabric, High Contrast Matte White 69" x 92" - 120" diag. . . . .	1	320.00
	83085	Fabric, Video Spectra 1.5 69" x 92" - 120" diag. . . . .	1	320.00
	90628	Fabric, Silver Matte 69" x 92" - 120" diag. . . . .	1	320.00
	78702	Fabric, High Power 69" x 92" - 120" diag. . . . .	1	538.00
	77173	Fabric, Matte White 87" x 116" - 150" diag. . . . .	1	394.00
	92812	Fabric, High Contrast Matte White 87" x 116" - 150" diag. . . . .	1	432.00
	86845	Fabric, Video Spectra 1.5 87" x 116" - 150" diag. . . . .	1	432.00
	90629	Fabric, Silver Matte 87" x 116" - 150" diag. . . . .	1	432.00
	83599	Fabric, High Power 87" x 116" - 150" diag. . . . .	1	752.00
	77294	Fabric, Matte White 105" x 140" - 180" diag. . . . .	1	744.00
	83600	Fabric, High Power 105" x 140" - 180" diag. . . . .	1	814.00
	86832	Fabric, Matte White 120" x 160" - 200" diag. . . . .	1	948.00
	84050	Fabric, Matte White 45" x 80" - 92" diag. . . . .	1	210.00
	92813	Fabric, High Contrast Matte White 45" x 80" - 92" diag. . . . .	1	228.00
	84746	Fabric, Video Spectra 1.5 45" x 80" - 92" diag. . . . .	1	228.00
	90630	Fabric, Silver Matte 45" x 80" - 92" diag. . . . .	1	228.00
	84052	Fabric, High Power 45" x 80" - 92" diag. . . . .	1	458.00
	78951	Fabric, Matte White 52" x 92" - 106" diag. . . . .	1	292.00
	92814	Fabric, High Contrast Matte White 52" x 92" - 106" diag. . . . .	1	320.00
	83086	Fabric, Video Spectra 1.5 52" x 92" - 106" diag. . . . .	1	320.00
	90631	Fabric, Silver Matte 52" x 92" - 106" diag. . . . .	1	320.00
	78953	Fabric, High Power 52" x 92" - 106" diag. . . . .	1	538.00
	94379	Fabric, Matte White 54" x 96" - 110" diag. . . . .	1	320.00
	94380	Fabric, High Contrast Matte White 54" x 96" - 110" diag. . . . .	1	350.00
	94382	Fabric, Video Spectra 1.5 54" x 96" - 110" diag. . . . .	1	350.00
	94384	Fabric, Silver Matte 54" x 96" - 110" diag. . . . .	1	350.00
	94383	Fabric, High Power 54" x 96" - 110" diag. . . . .	1	590.00
	78954	Fabric, Matte White 58" x 104" - 119" diag. . . . .	1	340.00
	92815	Fabric, High Contrast Matte White 58" x 104" - 119" diag. . . . .	1	374.00
	83087	Fabric, Video Spectra 1.5 58" x 104" - 119" diag. . . . .	1	374.00
	90632	Fabric, Silver Matte 58" x 104" - 119" diag. . . . .	1	374.00
	78956	Fabric, High Power 58" x 104" - 119" diag. . . . .	1	696.00
	78957	Fabric, Matte White 65" x 116" - 133" diag. . . . .	1	394.00
	92816	Fabric, High Contrast Matte White 65" x 116" - 133" diag. . . . .	1	432.00
	83088	Fabric, Video Spectra 1.5 65" x 116" - 133" diag. . . . .	1	432.00
	90633	Fabric, Silver Matte 65" x 116" - 133" diag. . . . .	1	432.00
	78959	Fabric, High Power 65" x 116" - 133" diag. . . . .	1	752.00
	78960	Fabric, Matte White 78" x 139" - 159" diag. . . . .	1	638.00
	92817	Fabric, High Contrast Matte White 78" x 139" - 159" diag. . . . .	1	660.00
	83089	Fabric, Video Spectra 1.5 78" x 139" - 159" diag. . . . .	1	660.00
	90634	Fabric, Silver Matte 78" x 139" - 159" diag. . . . .	1	660.00

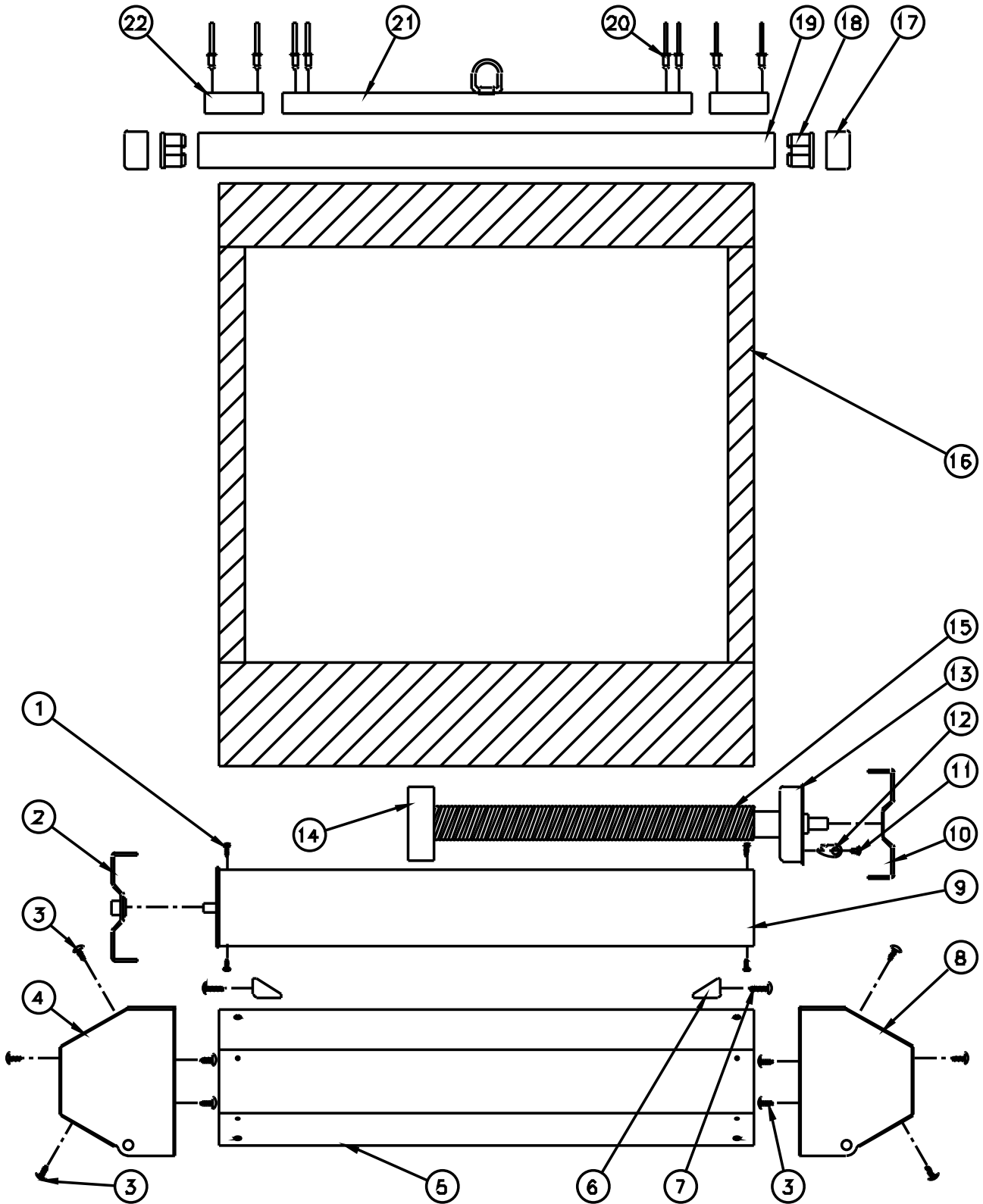
Portable and Wall Screens

# MODEL C WITH CSR

Item No.	Da-Lite Part No.	Description	Quantity Required	List Price Each
	78962	Fabric, High Power 78" x 139" - 159" diag. ....	1	\$792.00
	34841	Fabric, Matte White 50" x 80" - 94" diag. ....	1	210.00
	34842	Fabric, High Contrast Matte White 50" x 80" - 94" diag. ....	1	228.00
	34843	Fabric, Video Spectra 1.5 50" x 80" - 94" diag. ....	1	228.00
	34844	Fabric, High Power 50" x 80" - 94" diag. ....	1	458.00
	34845	Fabric, Matte White 60" x 96" - 113" diag. ....	1	320.00
	34846	Fabric, High Contrast Matte White 60" x 96" - 113" diag. ....	1	350.00
	34847	Fabric, Video Spectra 1.5 60" x 96" - 113" diag. ....	1	350.00
	34848	Fabric, High Power 60" x 96" - 113" diag. ....	1	590.00
	34849	Fabric, Matte White 69" x 110" - 130" diag. ....	1	394.00
	34850	Fabric, High Contrast Matte White 69" x 110" - 130" diag. ....	1	432.00
	34851	Fabric, Video Spectra 1.5 69" x 110" - 130" diag. ....	1	432.00
	34852	Fabric, High Power 69" x 110" - 130" diag. ....	1	752.00
	34853	Fabric, Matte White 87" x 139" - 164" diag. ....	1	638.00
	34854	Fabric, High Contrast Matte White 87" x 139" - 164" diag. ....	1	660.00
	34855	Fabric, Video Spectra 1.5 87" x 139" - 164" diag. ....	1	660.00
	34856	Fabric, High Power 87" x 139" - 164" diag. ....	1	792.00
20	45120	Slat cap, black plastic . . . . .	2	1.50
21	81870	Inner slat plug . . . . .	2	0.90
22	75857	Slat for 60" and 72" diag. screens . . . . .	1	6.90
	75858	Slat for 70" and 84" diag. screens . . . . .	1	8.10
	33638Black	Slat for 72" screens . . . . .	1	8.40
	45226	Slat for 84", 100" diag., 92" diag. and 94" diag. screens . . . . .	1	9.30
	45073	Slat for 8', 120" diag., 106" diag. and 113" diag. screens . . . . .	1	10.50
	72401	Slat for 110" diag. screens . . . . .	1	10.90
	45074	Slat for 9' and 119" diag. screens . . . . .	1	11.90
	35020	Slat for 130" diag. screens . . . . .	1	12.20
	45075	Slat for 10', 150" diag. and 133" diag. screens . . . . .	1	13.00
	45076	Slat for 12', 180" diag., 159" diag. and 164" diag screens . . . . .	1	15.90
	86844	Slat for 200" diag. screens . . . . .	1	19.60
23	87054	Screw for saddle assy. . . . .	8	0.24
24	76991	Bail frame for 60", 70", 72" diag., and 84" diag. screens . . . . .	1	3.50
	93855	Pop rivet for D-ring and bail frame for 60", 70", 72" diag., 84" diag., and 72" screens . . . . .	2	0.26
25	81696	D-ring, black . . . . .	1	1.60
26	78259	Saddle assy. for 9', 110" diag., 119" diag., 113" diag., and 130" diag. Screens . . . . .	1	29.10
	78260	Saddle assy. for 10', 12', 150" diag., 180" diag., 200" diag., 133" diag., 159" diag. and 164" diag. Screens . . . . .	1	36.30
	58253CSR	Pull cord (not shown) . . . . .	1	3.50
	98839	Packing for 50" screens . . . . .	1	37.60
	98840	Packing for 60" screens . . . . .	1	38.60
	98841	Packing for 70" screens . . . . .	1	31.70
	33655	Packing for 72" screens . . . . .	1	32.10
	95050	Packing for 84" screens . . . . .	1	48.30
	95051	Packing for 8' screens . . . . .	1	54.20
	95191	Packing for 110" diag. screens . . . . .	1	55.70
	95052	Packing for 9' screens . . . . .	1	60.30
	35022	Packing for 130" diag. screens . . . . .	1	64.30
	95053	Packing for 10' screens . . . . .	1	66.40
	95054	Packing for 12' screens . . . . .	1	76.40
	95055	Packing for 200" diag. screens . . . . .	1	85.00
	Note #1	For all 60", 70", and 72" screens		
	Note #2	For all 84" screens		

# MODEL C WITH CSR

<b>Item No.</b>	<b>Da-Lite Part No.</b>	<b>Description</b>	<b>Quantity Required</b>	<b>List Price Each</b>
	Note #3	For all 8', 9', 120" diag., 106" diag., 110" diag., 159" diag., 113" diag., 130" diag. and 164" diag. screens		
	Note #4	For all 119" diag. and 133" diag. screens		
	Note #5	For all 10', 12', 150" diag., 180" diag., and 200" diag. screens		



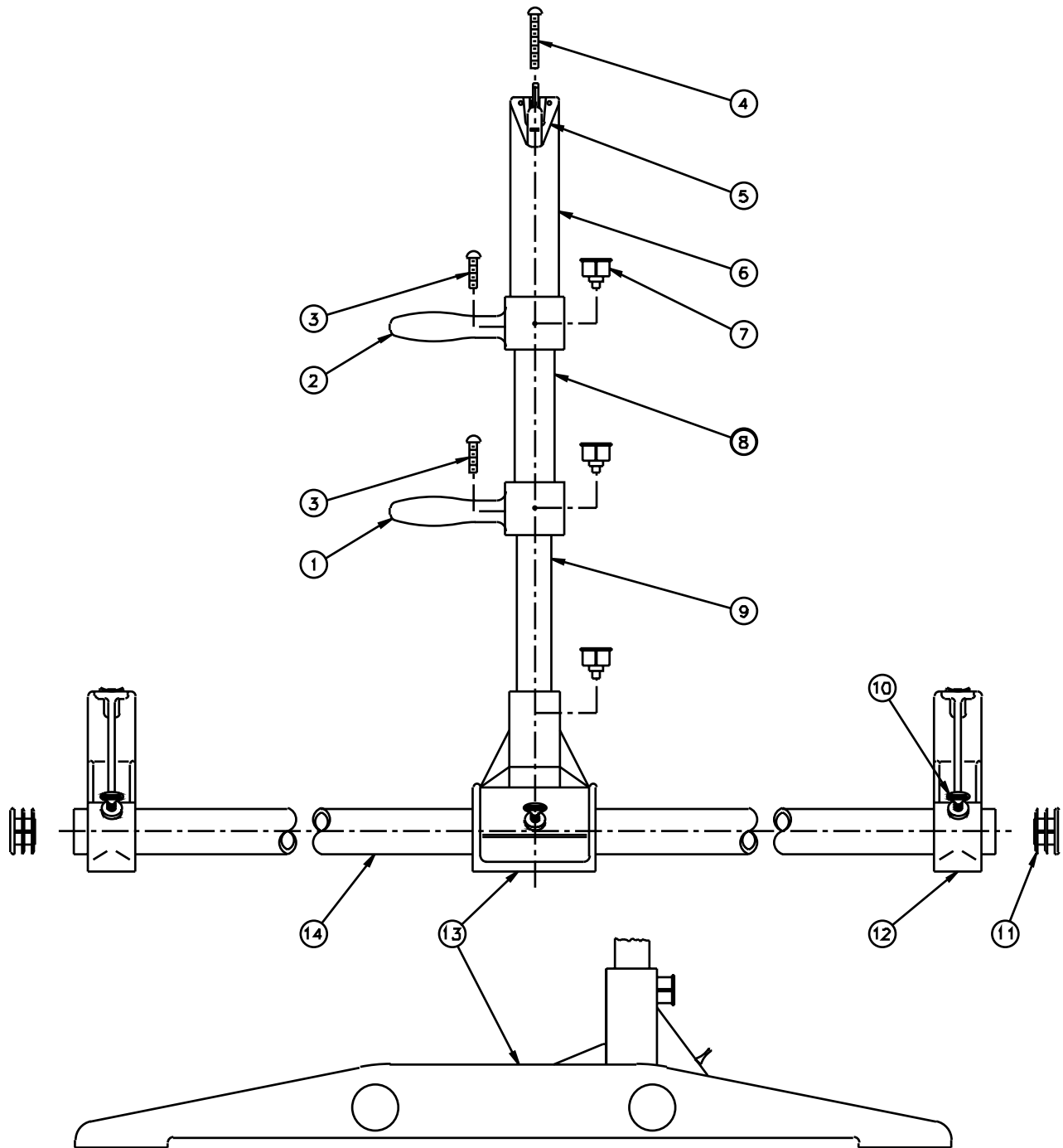
# FLOOR MODEL C

Item No.	Da-Lite Part No.	Description	Quantity Required	List Price Each
1	78011	Screw for pin end and spring assy. . . . .	6	\$0.14
2	58390	Insert for pin end cap . . . . .	1	9.00
3	87058	Screw for end caps . . . . .	10	0.26
4	74802PCBL	Pin end cap, black . . . . .	1	15.30
5	75019PC	Black case for 8' and 120" diag. screens . . . . .	1	70.50
	75020PC	Black case for 9' screens . . . . .	1	74.90
	75021PC	Black case for 10' and 150" diag. screens . . . . .	1	79.20
	75022PC	Black case for 12' and 180" diag. screens . . . . .	1	91.80
	76182	Carpeted gray case for 8' and 120" diag. screens . . . . .	1	155.00
	76183	Carpeted gray case for 9' screens . . . . .	1	194.00
	76184	Carpeted gray case for 10' and 150" diag. screens . . . . .	1	204.00
	76185	Carpeted gray case for 12' and 180" diag. screens . . . . .	1	210.00
	93900	Carpeted black case for 8' and 120" diag. screens . . . . .	1	155.00
	93901	Carpeted black case for 9' screens . . . . .	1	194.00
	89091	Carpeted black case for 10' and 150" diag. screens . . . . .	1	204.00
	89092	Carpeted black case for 12' and 180" diag. screens . . . . .	1	210.00
6	79711	Slat stop . . . . .	2	3.00
7	33400	Screw for slat stop . . . . .	2	0.22
8	74809PCBL	Spring end cap, black . . . . .	1	16.00
9		Roller assemblies include #1 and 15		
	57686	Roller assy. for 8' and 120" diag. Screens . . . . .	1	158.00
	57687	Roller assy. for 9' screens . . . . .	1	162.00
	57688	Roller assy. for 10' and 150" diag. Screens . . . . .	1	164.00
	57685	Roller assy. for 12' and 180" diag. Screens . . . . .	1	170.00
10	78224	Insert for spring end cap. . . . .	1	6.40
11	44726	Screw for dog . . . . .	1	0.28
12	98223	Pawl (dog) . . . . .	1	1.50
13	57705	Plug and spear assy. (includes #11 and 12) . . . . .	1	31.30
14	45118	Plastic anchor for spring assy. . . . .	1	2.50
15	57706	Spring assy. (includes #13 and 14) . . . . .	1	100.00
16	74342	Fabric, Matte White 6' x 8' . . . . .	1	292.00
	46124	Fabric, Matte White 8' x 8' . . . . .	1	330.00
	46125	Fabric, Matte White 7' x 9' . . . . .	1	340.00
	46126	Fabric, Matte White 9' x 9' . . . . .	1	526.00
	46127	Fabric, Matte White 8' x 10' . . . . .	1	394.00
	46128	Fabric, Matte White 10' x 10' . . . . .	1	656.00
	77294	Fabric, Matte White 9' x 12' . . . . .	1	744.00
	46130	Fabric, Matte White 12' x 12' . . . . .	1	588.00
	74342	Fabric, Matte White 69" x 92" - 120" diag. . . . .	1	292.00
	77173	Fabric, Matte White 87" x 116" - 150" diag. . . . .	1	394.00
	77294	Fabric, Matte White 105" x 140" - 180" diag. . . . .	1	744.00
17	45120	Slat cap, black plastic . . . . .	2	1.50
18	81870	Inner slat plug . . . . .	2	0.90
19	45073	Slat for 8' and 120" diag. screens . . . . .	1	10.50
	45074	Slat for 9' screens . . . . .	1	11.90
	45075	Slat for 10' and 150" diag. screens . . . . .	1	13.00
	45076	Slat for 12' and 180" diag. screens . . . . .	1	15.90
20	48570	Pop rivet for saddle assy. and extensions . . . . .	12	0.30
21	78259	Saddle assy. for 8' and 9' screens . . . . .	1	29.10
	78260	Saddle assy. for 10' and 12' screens . . . . .	1	36.30
22	78588	Saddle extension for 8' and 120" diag. screens . . . . .	2	7.90
	78589	Saddle extension for 9' screens . . . . .	2	9.00
	78517	Saddle extension for 10' and 150" diag. screens . . . . .	2	10.10
	78518	Saddle extension for 12' and 180" diag. screens . . . . .	2	12.40

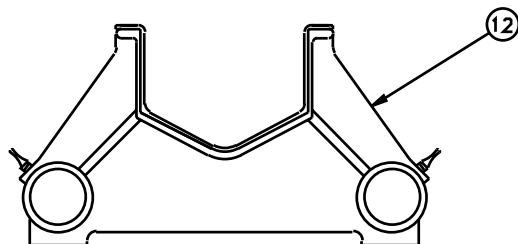
# FLOOR MODEL C

<b>Item No.</b>	<b>Da-Lite Part No.</b>	<b>Description</b>	<b>Quantity Required</b>	<b>List Price Each</b>
	95051	Packing for 8' screens. ....	1	\$54.20
	95052	Packing for 9' screens. ....	1	60.30
	95053	Packing for 10' screens. ....	1	66.40
	95054	Packing for 12' screens. ....	1	76.40

Portable and  
Wall Screens



SIDE VIEWS



# MODEL C FLOOR STAND

Item No.	Da-Lite Part No.	Description	Quantity Required	List Price Each
1	73294	Center tube handle . . . . .	1	\$67.90
2	73295	Top tube handle . . . . .	1	67.90
3	44740	Screw for center and top tube handles . . . . .	2	0.16
4	44746	Screw for gooseneck . . . . .	1	0.32
5	73296	Gooseneck assy. . . . .	1	61.30
6	57702	Top tube assy. (includes #2, 3, 4, 5, and 7) . . . . .	1	181.00
7	57699	Spring button assy. . . . .	3	5.60
8	57703	Center tube assy. (includes #1, 3, and 7) . . . . .	1	128.00
9	57704	Bottom tube assy. . . . .	1	64.70
		For complete tube assy., order as follows: (includes #1-9)		
	57697	Tube assembly . . . . .	1	588.00
10	44700	Thumb screw, 1/4 - 20 x 1/2" . . . . .	5	0.90
11	82888	Plug, 1 1/2" Black . . . . .	4	0.68
12	57701	End bracket assy., (includes #10) . . . . .	2	68.00
	78140	End bracket assy. for carpeted Floor Model C (includes #10). . . . .	2	68.00
13	57700	Center bracket assy. (includes #7 and 10) . . . . .	1	214.00
14	45092	Support tube, 1 1/2" diameter x 60" . . . . .	2	21.20
	89848	Packing for Floor Model C Stand . . . . .	1	17.00

Portable and Wall Screens