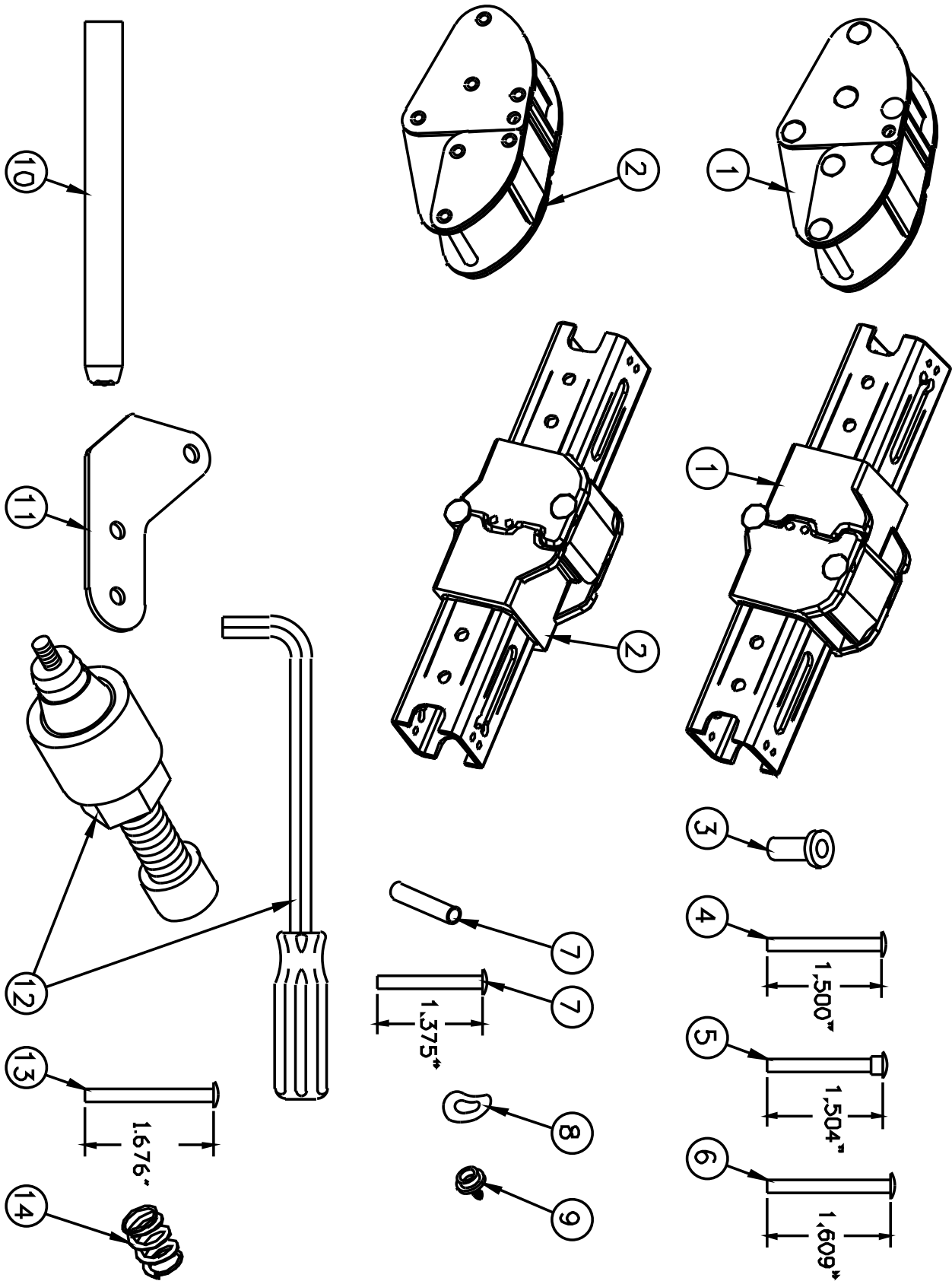




FAST-FOLD® DELUXE FRAME REPAIR KIT

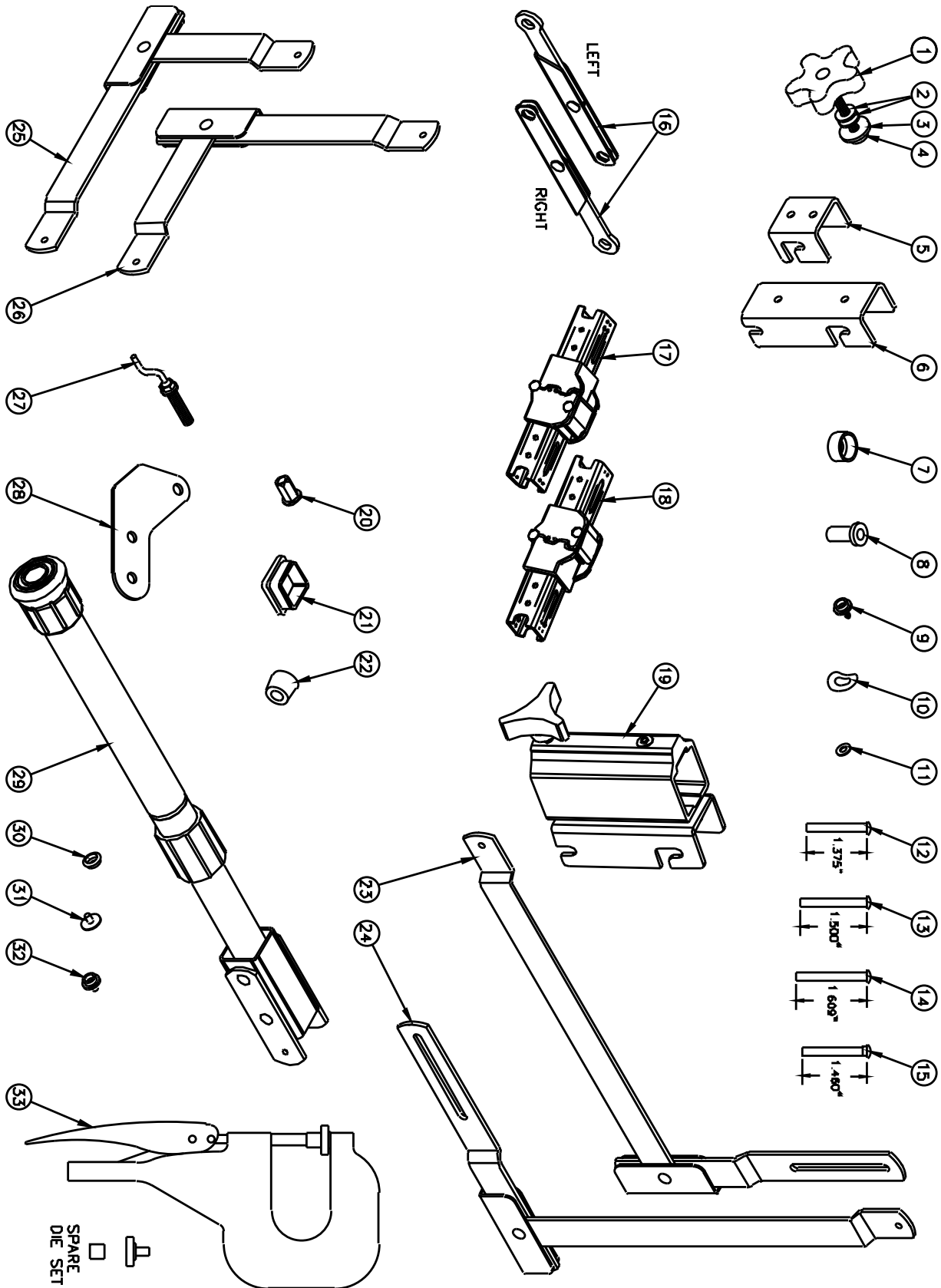


FAST-FOLD® DELUXE FRAME REPAIR KIT

Item No.	Da-Lite Part No.	Description	Quantity Required	List Price Each
1	89877	Right latch assy., used on frame and legs (Prior to 6/08)	5	\$11.20
	36234	Right hinge/latch assy., used on frame and legs	5	11.20
2	89876	Left latch assy., used on frame and legs (Prior to 6/08)	5	11.20
	36240	Left hinge/latch assy., used on frame and legs	5	11.20
3	47473	Rivnut, steel 5/16-18 long - used on frame for the speedy cranks	10	2.70
4	88801	Rivet, .187 x 1.500" long - used to mount corner hinge plate to frame	8	0.68
5	88901	Rivet, shoulder .238 x 1.504" long - mounts to frame to hook Dressup hardware	10	0.46
6	88802	Rivet, .186 x 1.609" long - used for corner hinge plate assy.	4	0.36
7	94079	Rivet, .200 x 1.676" long - used to mount latch assy. to frame (Prior to 6/08)	40	0.56
	44830	Rivet, .187 x 1.375" long - used to mount latch assy. to frame	40	0.24
8	44812	Spring washer - used in corner hinge plate assy., beneath corner hinge plates	10	0.32
9	47441	Snap stud - mounts to frame to snap fabric onto frame	20	0.58
10	47206	Rivet setting tool.	1	87.20
11	91029PL	Corner hinge plate - used to join frame corner	10	0.68
12	47207	Rivnut tool.	1	181.00
13	88807	Spacer, .250OD x .194ID x 1.25" long - used in latch assy. (Prior to 6/08)	10	1.26
14	88806	Spring - used in latch assy., beneath the blue latch (Prior to 6/08)	20	0.68
	For complete Deluxe Frame repair kit, order as follows:			
	89875	Fast-Fold Deluxe Frame Repair Kit (Prior to 6/08) (includes #1-14)	1	476.00
	36975	Fast-Fold Deluxe Frame Repair Kit (6/08) (includes #1-12)	1	476.00



FAST-FOLD® DELUXE REPLACEMENT PARTS

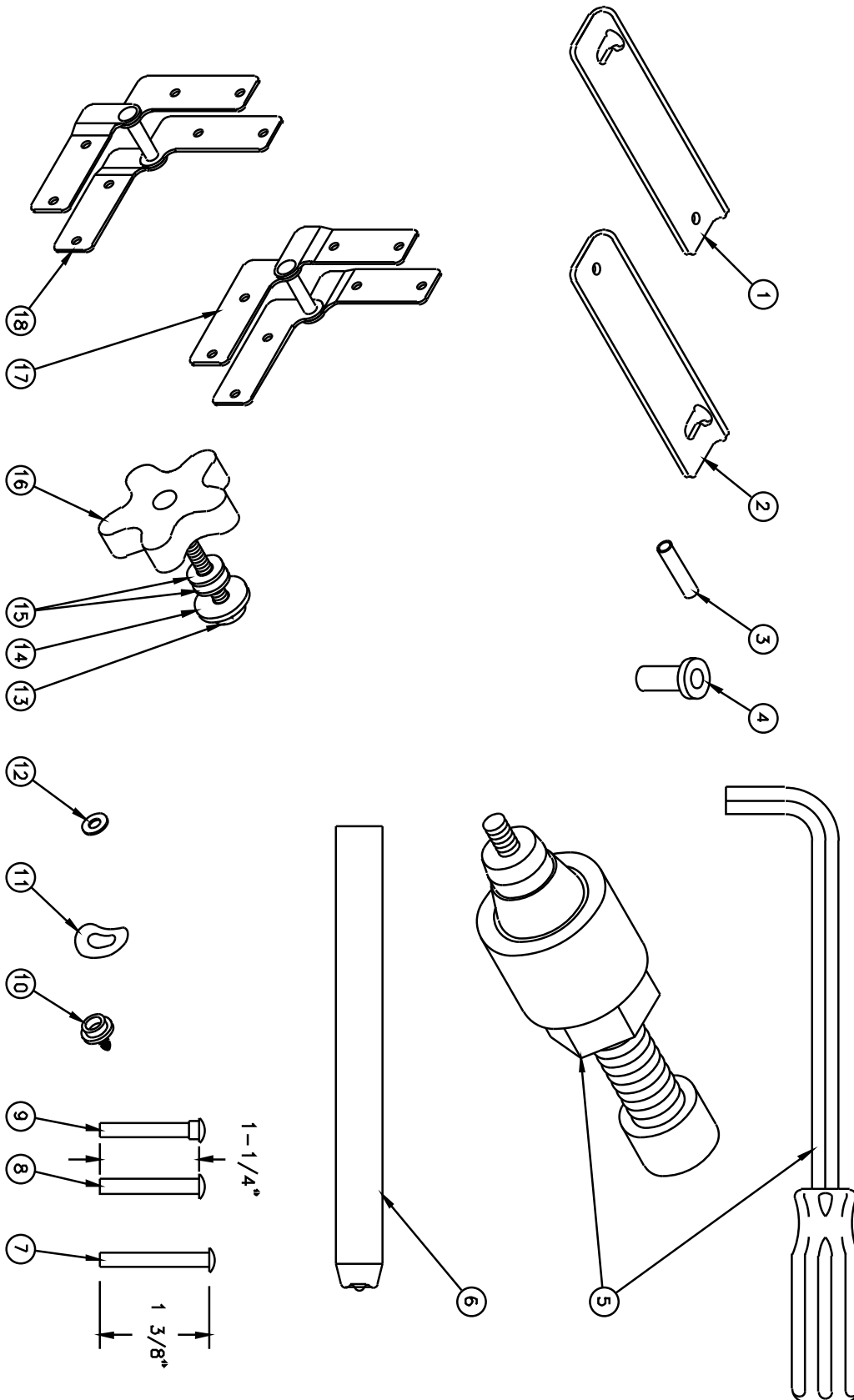


FAST-FOLD® DELUXE REPLACEMENT PARTS

Item No.	Da-Lite Part No.	Description	Quantity Required	List Price Each
1	47274	Knob - used on T-Legs for tilt	1	\$3.80
2	47352	Washer, flat .625OD x .265ID x .047T - used as a spacer on T-Legs	2	0.32
3	44842	Washer, flat .921OD x .468ID x .062T - used as a spacer on T-Legs	1	0.32
4	93816	Carriage bolt, 1/4 - 20 x 2.25" - used on T-legs for tilt.	1	0.10
5	89179AN	Short hanger for wing arms	2	7.40
6	89178AN	Long hanger for valance bar, wing bar and skirt bar sliders	2	12.40
7	90982	Rivnut spacer - used between frame and legs	varies	0.64
8	47473	Rivnut, steel 5/16-18 long - used on frame for speedy cranks.	4-10	2.70
9	47441	Snap stud - mounts to frame to snap fabric onto frame	varies	0.58
10	44829	Washer, spring .563OD x .195ID x .008T - used in leg brace assembly	1	0.22
11	44830	Rivet, .187 x 1.375" long - used to mount hinge/latch assy. to frame.	varies	0.24
12	88801	Rivet, .187 x 1.500" long - used to mount corner hinge plate to frame.	16	0.68
13	88802	Rivet, .186 x 1.609" long - used for corner hinge plate assy.	4	0.36
14	88901	Rivet, shoulder .238 x 1.504" long - mounts to frame to hook Dressup hardware	10	0.46
15	35215	Corner brace assy., right and left - used on the frame	4	14.60
16	36234	Right hinge/latch assy. - used on frame	varies	11.20
17	36240	Left hinge/latch assy. - used on frame	varies	11.20
18	89175	Skirt bar slider for adjustable skirt bar only	2	38.50
19	35167	Rivnut, hex steel 5/16 - 18 long - used for bottom two holes for #7	2	4.20
20	88599	Plastic plug, 1.25" square - used on frame and legs	varies	0.52
21	47353	Rubber foot for legs and dress up kit hardware	2-6	0.46
22	58644	Right leg brace assembly for T-Legs	2	16.80
23	58648	Left leg brace assembly for T-Legs	2	16.80
24	58659	Right corner brace assembly for leg assy.	2	14.60
25	58660	Left corner brace assembly for leg assy.	2	14.60
26	89196	Short speedy crank, 2.69"	varies	
27	91029PL	Corner hinge plate - used to join frame corner.	8	0.68
28	89704	Skirt bar steadyrest assembly for 10' or wider skirt with skirt bar.	1	44.60
	89705	Skirt bar steadyrest assembly for extra long skirt with skirt bar	1	44.60
29	47489	Light socket for all fabric snaps except corners	varies	0.34
	47490	Heavy socket for dress up kits and corners	varies	0.34
30	47491	Black cap - used on three sides of fabrics and dress up kits	varies	0.34
31	47492	Double cap - used at the bottom of all fabrics	varies	0.34
32	76781	Snap tool - used to replace both types of snaps	1	284.00



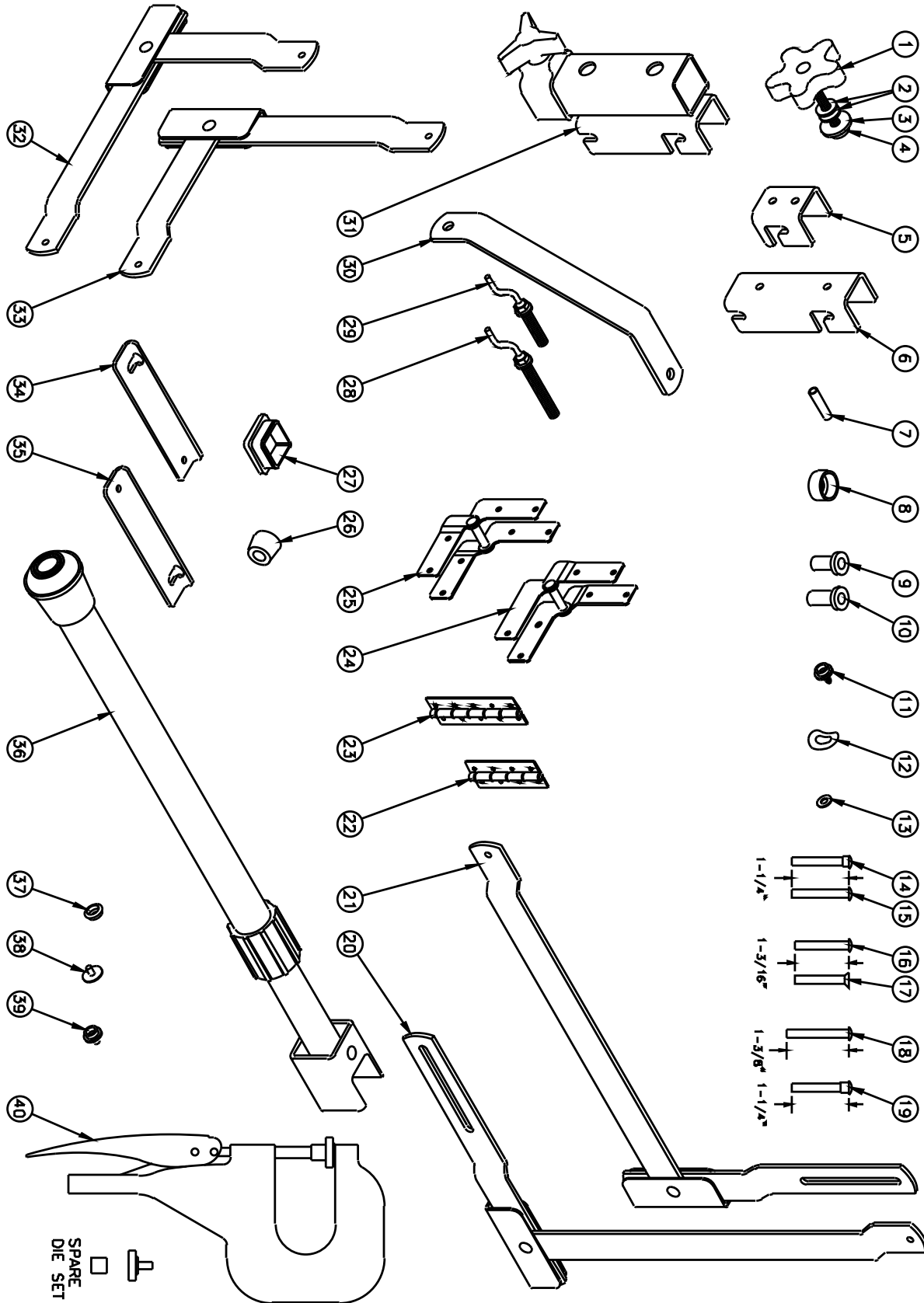
FAST-FOLD® FRAME REPAIR KIT



FAST-FOLD® FRAME REPAIR KIT

Item No.	Da-Lite Part No.	Description	Quantity Required	List Price Each
1	47358PL	Right latch - used on frames.	5	\$2.80
2	47361PL	Left latch - used on frames.	5	2.80
3	47349	Spacer, .250OD x .20ID x 1" long - used to assemble hinges.	20	0.80
4	47473	Rivnut, steel 5/16 - 18 long - used to screw speedy cranks to frames	10	2.70
5	47207	Rivnut tool.	1	181.00
6	47206	Rivet setting tool.	1	87.20
7	44830	Rivet, .187 x 1.375" long - used to assemble hinges	20	0.24
8	44828	Rivet, .187 x 1.22" long - used to mount hinge to frame.	50	0.24
9	47350	Rivet, shoulder .184 x 1.25" long - mounts to frame to hook latch	10	0.32
10	47441	Snap stud - mounts to frame to snap fabric onto frame	20	0.58
11	44829	Washer, spring .563OD x .195ID x .008T - used in leg braces and corner brace latches	10	0.22
12	47351	Washer, flat .437OD x .203ID x .031T - used in attaching latches to frame	20	0.22
13	44831	Carriage bolt, 1/4 - 20 x 2.00" - used on T-legs for tilt	8	0.32
14	44842	Washer, flat .921OD x .468ID x .062T - used as a spacer on T-Legs	1	0.32
15	47352	Washer, flat .625OD x .265ID x .047T - used as a spacer on T-Legs.	16	0.32
16	47274	Knob - used on T-Legs for tilt	8	3.80
17	58642	Left hinge assy	5	5.60
18	58641	Right hinge assy.	5	5.60
		For complete repair kit, order as follows: (includes #1-18)		
	41307	Fast-Fold Repair Kit.	1	476.00

FAST-FOLD® SCREEN REPLACEMENT PARTS

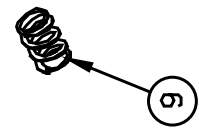
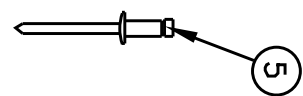
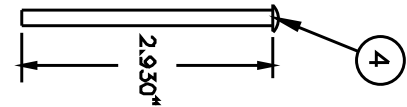
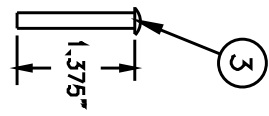
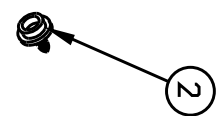
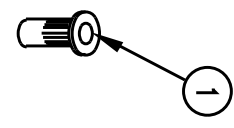
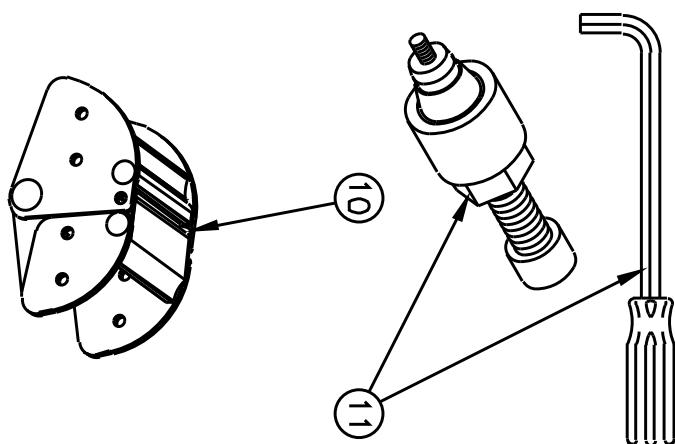
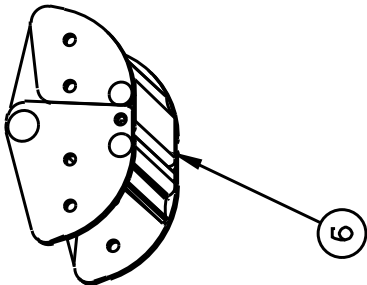
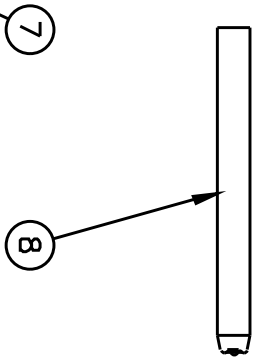
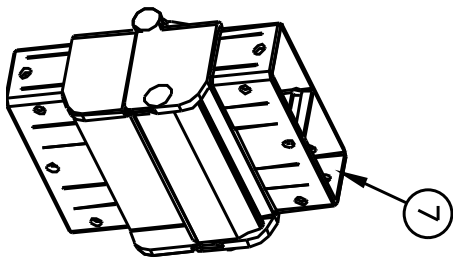


FAST-FOLD® SCREEN REPLACEMENT PARTS

Item No.	Da-Lite Part No.	Description	Quantity Required	List Price Each
1	47274	Knob - used on T-Legs for tilt	8	\$3.80
2	47352	Washer, flat .625OD x .265ID x .047T - used as a spacer on T-Legs	2	0.32
3	44842	Washer, flat .921OD x .468ID x .062T - used as a spacer on T-Legs	1	0.32
4	44831	Carriage bolt, 1/4 - 20 x 2.00" - used on T-Legs for tilt.	8	0.32
5	47833AN	Short hanger for wing arms	2	7.40
6	47816AN	Long hanger for valance bar, wing bar and skirt bar sliders	2	12.40
7	47349	Spacer, .250OD x .20ID x 1" long - used to assemble hinges	1	0.80
8	91019	Rivnut spacer - used between frame and legs.	1	2.60
9	78454	Rivnut, short steel 5/16 - 18 - used for A-T Legs and truss frames	6	2.00
10	47473	Rivnut, steel 5/16 - 18 long - used to screw speedy cranks to frames	10	2.70
11	47441	Snap stud - mounts to frame to snap fabric onto frame	varies	0.58
12	44829	Washer, spring .563OD x .195ID x .008T - used in leg brace assembly,	3	0.22
		corner brace assembly, & latches		
13	47351	Washer, flat .437OD x .203ID x .031T - used in attaching latches to frame	2	0.22
14	47350	Rivet, shoulder .184 x 1.25" long - mounts to frame to hook latch.	1	0.32
15	44828	Rivet, .187 x 1.22" long - used to mount hinge to frame	2	0.24
16	44850	Rivet, round .187 x 1.187" long - used to mount truss hinge to frame.	3	0.24
17	44849	Rivet, flat .187 x 1.187" long - used to mount truss hinge to frame.	2	0.32
18	44830	Rivet, .187 x 1.375" long - used to assemble hinges (#24 & 25)	1	0.24
19	47472	1 - 1/4" shoulder rivet - mounts to frame for drape hardware	4	0.52
20	58648	Left leg brace assembly for T-Legs	2	16.80
21	58644	Right leg brace assembly for T-Legs	2	16.80
22	47262PL	Piano hinge, 4 - 3/8" long for truss "L" sections	varies	9.00
23	47778PL	Piano hinge, 5 - 3/4" long for truss frames and truss legs	varies	11.20
24	58642	Left hinge assembly for all standard frames	5	5.60
25	58641	Right hinge assembly for all standard frames	5	5.60
26	47353	Rubber foot for legs and dress up kit hardware	2-6	0.46
27	47354	Plastic plugs for legs	1-3	0.42
28	40902	Long speedy crank for T and A-T Legs and back brace for truss	3	
29	58656	Short speedy crank for "L" sections	varies	4.50
30	47802	Truss frame brace-used on 25' or longer truss to attach "L" sections.	10	12.40
31	58866	Skirt bar slider for adjustable skirt bar only	2	38.50
32	58659	Right corner brace assembly for frame corners and truss legs	2	14.60
33	58660	Left corner brace assembly for frame corners and truss legs	2	14.60
34	47358PL	Right latch used on frames on bottom and right	5	2.80
35	47361PL	Left latch used on frames on top and left.	5	2.80
36	59049	Skirt bar steadyrest assembly for 10' or wider skirt with skirt bar.	1	44.60
	59050	Skirt bar steadyrest assembly for extra long skirt with skirt bar	1	44.60
37	47489	Light socket for all fabric snaps except corners	varies	0.34
	47490	Heavy socket for dress up kits and corners	varies	0.34
38	47491	Black cap - used on three sides of fabrics and dress up kits	varies	0.34
39	47492	Double cap - used at the bottom of all fabrics	varies	0.34
40	76781	Snap tool - used to replace both types of snaps	1	284.00



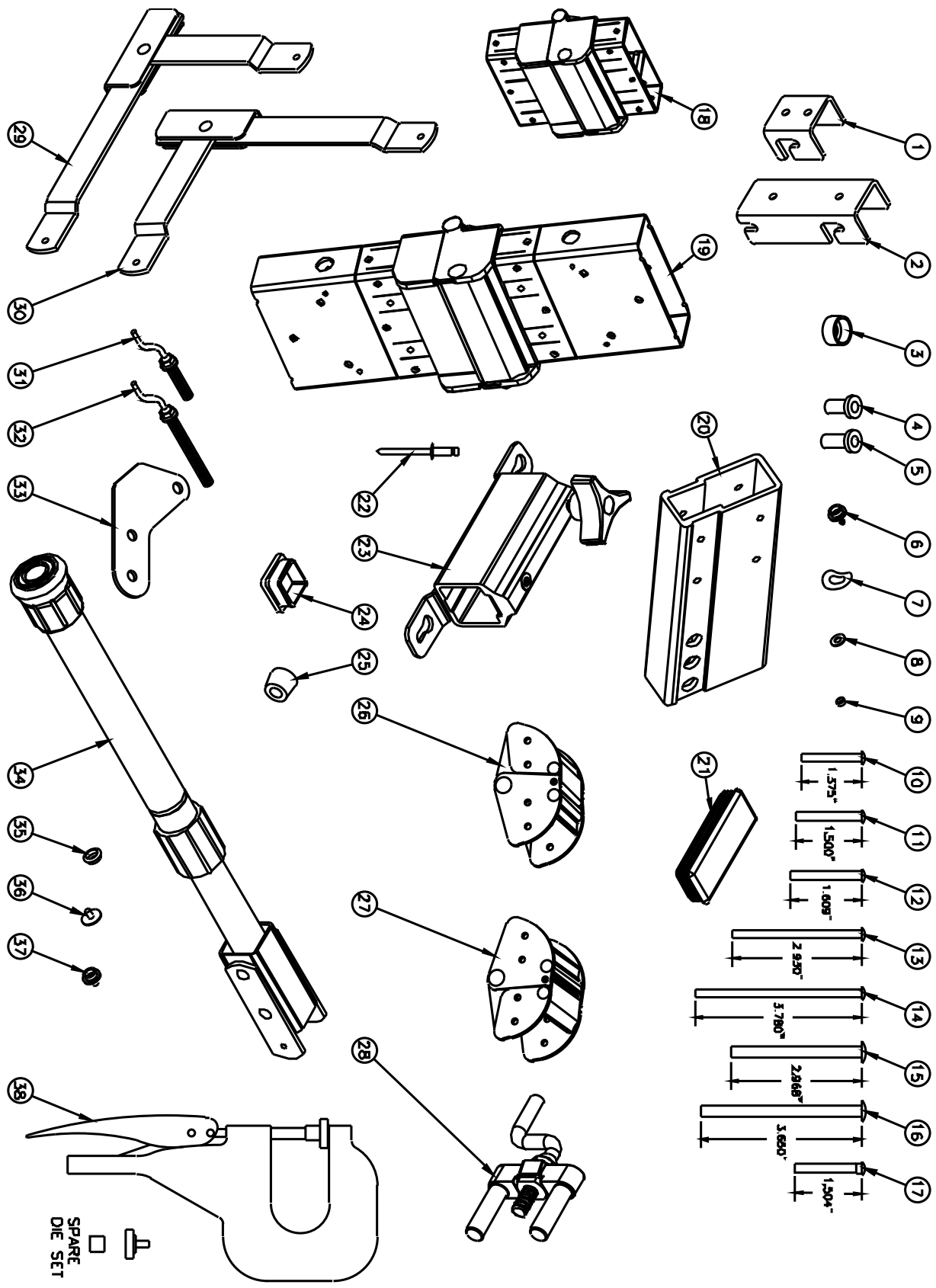
HEAVY DUTY FAST-FOLD® DELUXE FRAME REPAIR KIT



HEAVY DUTY FAST-FOLD® DELUXE FRAME REPAIR KIT

Item No.	Da-Lite Part No.	Description	Quantity Required	List Price Each
1	47473	Rivnut, steel 5/16 - 18 long - used to screw speedy cranks to frames	10	\$2.70
2	47441	Snap stud - mounts to frame to snap fabric onto frame	20	0.58
3	44830	Rivet, .187 x 1.375" long - used to mount hinge/latch assy. to frame	20	0.24
4	91777	Rivet, .184 x 2.93" long - used to mount the latch assy. to the legs	16	0.88
5	48570	Pop rivet - used to mount hinge/latch assy. casting to the frame	8	0.30
6	88806	Spring - used in latch assy., beneath the blue latch	20	0.68
7	37317	Hinge/latch assy. casting - used on frame	2	47.30
8	47206	Rivet setting tool.	1	87.20
9	99148	Left latch assy., used on legs	2	15.10
10	99150	Right latch assy., used on legs	2	15.10
11	47207	Rivnut tool.	1	181.00
		For complete HD Deluxe repair kit, order as follows: (includes #1-11)		
	36974	Fast-Fold HD Deluxe Repair Kit.	1	476.00

HEAVY DUTY FAST-FOLD® DELUXE REPLACEMENT PARTS



S/PARE
D/IE S/ET

HEAVY DUTY FAST-FOLD® DELUXE REPLACEMENT PARTS

Item No.	Da-Lite Part No.	Description	Quantity Required	List Price Each
1	89179AN	Short hanger for wing arms	2	\$7.40
2	89178AN	Long hanger for valance bar, wing bar and skirt bar sliders	2	12.40
3	90982	Rivnut spacer - used between frame and leg assy.	8-20	0.64
4	78454	Rivnut, short steel 5/16 - 18 - used on leg assy.	4	2.00
5	47473	Rivnut, steel 5/16 - 18 long - used to screw speedy cranks to frames	varies	2.70
6	47441	Snap stud - mounts to frame to snap fabric onto frame	varies	0.58
7	44829	Washer, spring .563OD x .195ID x .008T - used on leg brace assembly and	3	0.22
		corner brace assembly		
8	47351	Washer, flat .437OD x .203ID x .031T - used to attach foot to frame	2-6	0.22
9	93448	spacer - used as shoulder for #14 rivet	4	1.50
10	44830	Rivet, .187 x 1.375" long - used to mount hinge/latch assy. to frame.	varies	0.24
11	88801	Rivet, .187 x 1.500" long - used to attach the foot to frame	2-6	0.68
12	88802	Rivet, .186 x 1.609" long - used to attach rubber foot and latches to leg assy.	8	0.36
13	91777	Rivet, .184 x 2.93" long - used to mount the latch assy. to leg assy.	12	0.88
14	33431	Rivet, .186 x 3.78" long - used to attach the skirt bar slider to the frame (used with #9).	4	1.36
15	91949	Rivet, .250 x 2.968 long - used to attach hinge/latch assy. to leg assy.	2-5	1.26
16	33143	Rivet, .250 x 3.650 long - used to attach blue latch on hinge/latch assy.	12	1.36
17	88901	Rivet, shoulder .238 x 1.504" long - mounts to frame to hook Dressup hardware	6	0.46
18	37317	Hinge/latch assy. casting - used on the frame	2-8	47.30
19	37318	Hinge/latch assy. extension casting - used on frame of 13' x 17' and over	6/8	67.20
20	35132	Corner connecting tube - used on the frame	4	23.70
21	33147	Plastic plug, 1.25" x 3.50"	4	0.74
22	48570	Pop rivet - used to mount hinge/latch assy. casting to the frame	4	0.30
23	93579	Skirt bar slider for adjustable skirt bar only	2	38.50
24	88599	Plastic plug, 1.25" square	8	0.52
25	47353	Rubber foot - used on leg assy. and dress up kit hardware	6	0.46
26	99148	Left latch assy. - used on leg assy.	2-5	15.10
27	99150	Right latch assy. - used on leg assy.	2-5	15.10
28	94679	Corner lock assy. - used on frames	4	12.60
29	58659	Right corner brace assembly - used on leg assy.	2	14.60
30	58660	Left corner brace assembly - used on leg assy.	2	14.60
31	89196	Short speedy crank, 2.96"	1	
32	93488	Long speedy crank, 3.75"	varies	5.30
33	91029PL	Corner hinge plate - used on leg assy.	4	0.68
34	89704	Skirt bar steadyrest assembly for 10' or wider skirt with skirt bar.	1	44.60
	89705	Skirt bar steadyrest assembly for extra long skirt with skirt bar	1	44.60
35	47489	Light socket - used for all fabric snaps except corners.	varies	0.34
	47490	Heavy socket - used for dress up kits and corners.	varies	0.34
36	47491	Black cap - used on three sides of fabrics and dress up kits	varies	0.34
37	47492	Double cap - used at the bottom of all fabrics	varies	0.34
38	76781	Snap tool - used to replace both types of snaps	1	284.00