



# EXECUTIVE ELECTROL®

Automatic Electric Projection Screen Model

## SPECIFICATION DATA

DA-LITE SCREEN COMPANY, INC.  
 3100 North Detroit Street  
 Post Office Box 137  
 Warsaw, Indiana 46581-0137  
 Phone: 574-267-8101  
 800-622-3737  
 Fax: 574-267-7804  
 Toll Free Fax: 877-325-4832  
 www.da-lite.com  
 e-mail: info@da-lite.com

**SUGGESTED SPECIFICATIONS:** \_\_\_\_\_ projection screen(s), \_\_\_\_\_ (H) x \_\_\_\_\_ (W), electrically operated 120 volt AC (60 Hz) not more than 2.2 amp. Three wire quick reversal motor especially designed for the purpose, to be ball bearing and oiled for life. With automatic thermal overload cut-out and integral interlocking gears. To have pre-set but accessible limit switches to automatically stop screen surface in the "down" position. Stop action to be positive to prevent coasting. The roller to be of rigid metal at least 3" in diameter (to be used on screens 12' and under in width) or 5<sup>3</sup>/<sub>4</sub>" in diameter (on screens over 12' in width). Roller to be mounted on two heavy duty brackets equipped with self-aligning bearings. Screen surface to be flame retardant and mildew resistant fiberglass with black masking borders standard. Case to be of wood, with double top for extra rigidity and strength. Motor compartment to be metal lined. A section of the bottom of the case shall be equipped with hinges and connected to the drive mechanism so that it opens and closes automatically with the lowering and raising of the screen surface. The door will lift to the closed position where a micro switch shall cut off the electrical current to the motor. Balance of the bottom panel shall be pegged to manual opening to provide access. Hinges shall be mounted to allow matching of the bottom panel to the ceiling. **Specify Type 1 and 2 or Type 3 hinge, as required.** Case to be furnished with a black primer coat, ready to accept final finish by others. To be complete with 3 position control switch with cover plate. Recessed installation requires access to motor. Screen shall be listed by Underwriters' Laboratories and CSA.



**Matte White:** Seamless in all standard sizes.

**High Power®:** Available in sizes up to 9' x 12'. Horizontal seam required when both dimensions exceed 6'.

### SQUARE FORMAT DIMENSIONS (screens with ^ have 2" standard black drop at top)

| Sizes         |           | *Overall Length of Case           |     | Approx. Ship. Wt. |       |
|---------------|-----------|-----------------------------------|-----|-------------------|-------|
| H x W         | Cm        | In.                               | Cm  | Lbs.              | Kg    |
| 50" x 50"     | 127 x 127 | 76 <sup>1</sup> / <sub>2</sub> "  | 194 | 144               | 65.3  |
| 60" x 60"     | 152 x 152 | 86 <sup>1</sup> / <sub>2</sub> "  | 220 | 154               | 69.9  |
| 70" x 70"     | 178 x 178 | 96 <sup>1</sup> / <sub>2</sub> "  | 245 | 164               | 74.4  |
| 84" x 84"     | 213 x 213 | 110 <sup>1</sup> / <sub>2</sub> " | 281 | 184               | 83.5  |
| 6' x 8'^^     | 183 x 244 | 122 <sup>1</sup> / <sub>2</sub> " | 311 | 209               | 94.8  |
| 8' x 8'       | 244 x 244 | 122 <sup>1</sup> / <sub>2</sub> " | 311 | 211               | 95.7  |
| 7' x 9'^^     | 213 x 274 | 134 <sup>1</sup> / <sub>2</sub> " | 342 | 234               | 106.1 |
| 9' x 9'^^     | 274 x 274 | 134 <sup>1</sup> / <sub>2</sub> " | 342 | 237               | 107.5 |
| 8' x 10'^^    | 244 x 305 | 146 <sup>1</sup> / <sub>2</sub> " | 372 | 260               | 117.9 |
| 10' x 10'^^   | 305 x 305 | 146 <sup>1</sup> / <sub>2</sub> " | 372 | 263               | 119.3 |
| 9' x 12'^^    | 274 x 366 | 170 <sup>1</sup> / <sub>2</sub> " | 433 | 311               | 141.1 |
| 12' x 12'     | 366 x 366 | 170 <sup>1</sup> / <sub>2</sub> " | 433 | 316               | 143.3 |
| 10'6" x 14'^^ | 320 x 427 | 194 <sup>1</sup> / <sub>2</sub> " | 494 | 403               | 182.8 |
| 14' x 14'     | 427 x 427 | 194 <sup>1</sup> / <sub>2</sub> " | 494 | 410               | 186.0 |
| 12' x 16'^^   | 366 x 488 | 218 <sup>1</sup> / <sub>2</sub> " | 555 | 459               | 208.7 |
| 16' x 16'     | 488 x 488 | 218 <sup>1</sup> / <sub>2</sub> " | 555 | 469               | 212.7 |

\*Add 7" to overall case length for mounting brackets.

Overall case length dimensions ±1/4".

Specifications subject to change without notice.

Detail dimensional drawings, wiring diagrams and installation instructions available upon request.

Custom formats and sizes available upon request.

### WHEN ORDERING, MARK APPROPRIATE SELECTIONS:

#### Select method of installation:

- Type 1 and 2 - Offset or Flush Mounting
- Type 3 - Extended Mounting

#### Select viewing surface:

- Matte White
- High Power®
- Greenguard® and Greenguard® Children and Schools Certified.

#### Options:

- Extra Drop available to lower picture area more than normal. Specify total drop at top \_\_\_\_\_ (black or white) or at bottom \_\_\_\_\_ (black or white). 20' maximum total surface height including picture area.
- Single motor low voltage control (LVC) - external.
- Wireless Remote Control for LVC.
  - Radio Frequency Remote
  - Radio Frequency Range Extender available
  - Infrared Remote
- Key Locking Cover Plate for 120V or LVC Switch.
- Key Operated Switch for 120V only (NOTE: cannot be used with LVC).
- No Borders (Black masking borders standard).
- 220 Volt (50 Hz) Motor.
- Video Projector Interface Control - external.
- External SCB-100 - RS-232 Serial Control Board
  - NET-100 Ethernet-Serial Adapter
- White box (black standard).
- White doors (brushed aluminum standard).

Project: \_\_\_\_\_

Architect: \_\_\_\_\_

Phone: \_\_\_\_\_

Contractor: \_\_\_\_\_

Phone: \_\_\_\_\_

Supervisor: \_\_\_\_\_

Phone: \_\_\_\_\_

Supplier: \_\_\_\_\_

Date: \_\_\_\_\_

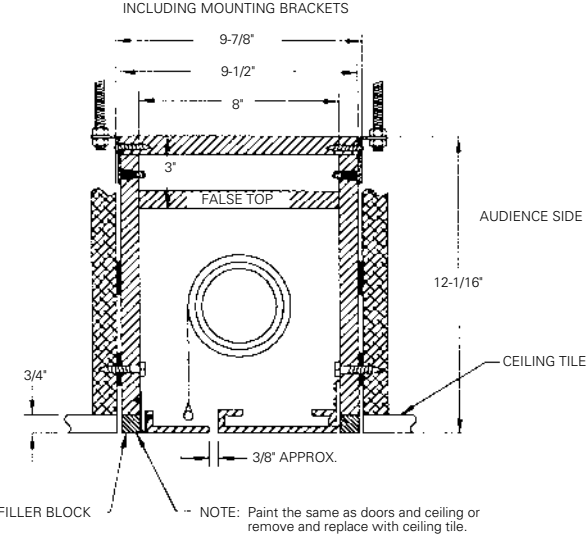
Revised: \_\_\_\_\_

**EXECUTIVE ELECTROL®**

**SUGGESTED METHODS OF INSTALLATION**

**TYPE 1 AND 2**

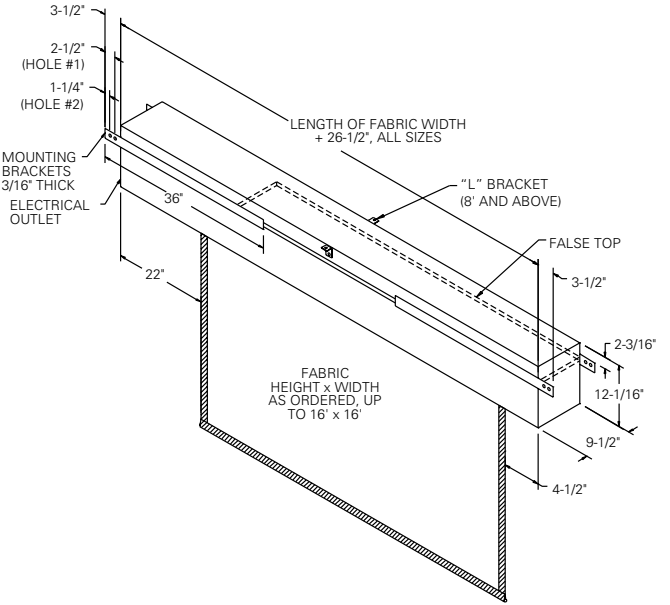
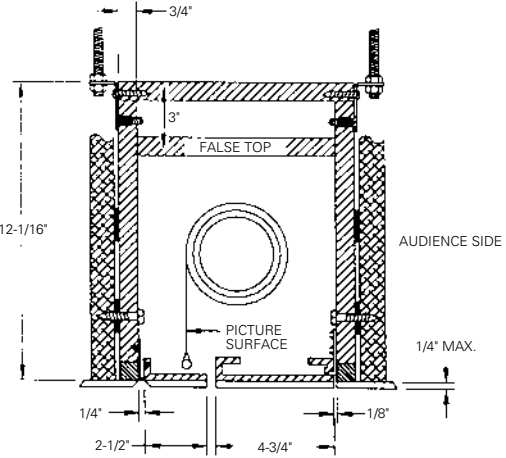
**Offset mounting**, recessed above ceiling, for plaster, dry wall or paneling. Door painted same finish as ceiling.



**TYPE 1 AND 2**

Allow 1/8" min. clearance all around surface door.

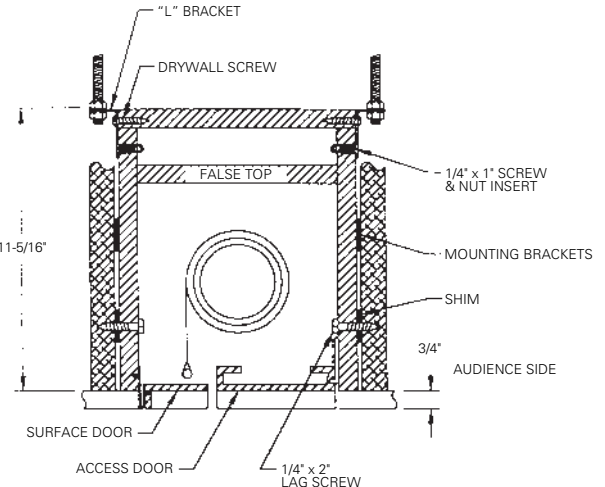
**Flush mounting**, recessed above ceiling. For use with 1/4" max. paneling or installation in existing ceiling using molding around door.



**TYPE 3**

Allow 1/4" min. clearance all around surface door.

**Extended mounting**, recessed above ceiling. For use with acoustical or other ceiling tile 3/4" thick laid over door.





# TENSIONED EXECUTIVE ELECTROL®

Automatic Electric Projection Screen Model

## SPECIFICATION DATA

DA-LITE SCREEN COMPANY, INC.  
 3100 North Detroit Street  
 Post Office Box 137  
 Warsaw, Indiana 46581-0137  
 Phone: 574-267-8101  
 800-622-3737  
 Fax: 574-267-7804  
 Toll Free Fax: 877-325-4832  
 www.da-lite.com  
 e-mail: info@da-lite.com

**SUGGESTED SPECIFICATIONS:** \_\_\_\_\_ projection screen(s), \_\_\_\_\_ (H) x \_\_\_\_\_ (W), electrically operated 120 volt (60 Hz) not more than 2.2 amp. Three wire quick reversal motor especially designed for the purpose, to be ball bearing and oiled for life. With automatic thermal overload cut-out and integral interlocking gears. To have pre-set but adjustable limit switches to automatically stop screen surface in the "down" position. Stop action to be positive to prevent coasting. The roller to be of rigid metal at least 3" in diameter and mounted on two heavy duty brackets equipped with self-aligning bearings. Screen surface to be seamless, flame retardant and mildew resistant vinyl with black masking borders standard. Each side of the fabric to have tab guide cable system to maintain even lateral tension and hold surface flat. Custom slat bar with added weight maintains vertical tension on the screen surface. The ends of the slat to be protected by heavy duty plastic caps enclosing a preset adjustable mechanism for screen tensioning. Case to be of wood, with double top for extra rigidity and strength. Motor compartment to be metal lined. A section of the bottom of the case shall be equipped with hinges and connected to the drive mechanism so that it opens and closes automatically with the lowering and raising of the screen surface. The door will lift to the closed position where a micro switch shall cut off the electrical current to the motor. Balance of the bottom panel shall be pegged to manual opening to provide access. Hinges shall be mounted to allow matching of the bottom panel to the ceiling. **(Specify Type 1 and 2 or Type 3 hinge, as required.)** Case to be finished with a black primer coat, ready to accept final finish by others. To be complete with three position control switch with cover plate. Screen to be listed by Underwriters' Laboratories and CSA.



**All viewing surfaces will be seamless.**

**All viewing surfaces are standard with black backing except Da-Tex® and Dual Vision.**

**Audio Vision, High Contrast Audio Vision and High Contrast Cinema Perf available in sizes up to 87" x 116" in Video Format and 78" x 139" in HDTV Format.**

### VIDEO (NTSC 4:3) FORMAT DIMENSIONS

| Viewing Area |           | Nominal Diagonal |     | *Overall Length of Case           |     | Approx. Ship. Wt. |       |
|--------------|-----------|------------------|-----|-----------------------------------|-----|-------------------|-------|
| H x W        | Cm        | In.              | Cm  | In.                               | Cm  | Lbs.              | Kg    |
| 43" x 57"    | 109 x 145 | 72"              | 183 | 92 <sup>3</sup> / <sub>4</sub> "  | 236 | 156               | 70.8  |
| 50" x 67"    | 127 x 170 | 84"              | 213 | 103 <sup>3</sup> / <sub>4</sub> " | 264 | 183               | 83.0  |
| 60" x 80"    | 152 x 203 | 100"             | 254 | 117 <sup>3</sup> / <sub>4</sub> " | 299 | 211               | 95.7  |
| 69" x 92"    | 175 x 234 | 120"             | 305 | 131 <sup>3</sup> / <sub>4</sub> " | 335 | 244               | 110.7 |
| 87" x 116"   | 221 x 295 | 150"             | 381 | 158 <sup>3</sup> / <sub>4</sub> " | 403 | 279               | 126.6 |
| 108" x 144"  | 274 x 366 | 180"             | 457 | 183 <sup>3</sup> / <sub>4</sub> " | 467 | 323               | 146.5 |
| 120" x 160"  | 305 x 406 | 200"             | 508 | 200 <sup>3</sup> / <sub>4</sub> " | 510 | 353               | 160.1 |

### HDTV (16:9) FORMAT DIMENSIONS

| Viewing Area |           | Nominal Diagonal |     | *Overall Length of Case           |     | Approx. Ship. Wt. |       |
|--------------|-----------|------------------|-----|-----------------------------------|-----|-------------------|-------|
| H x W        | Cm        | In.              | Cm  | In.                               | Cm  | Lbs.              | Kg    |
| 45" x 80"    | 114 x 203 | 92"              | 234 | 116 <sup>1</sup> / <sub>4</sub> " | 295 | 211               | 95.7  |
| 52" x 92"    | 132 x 234 | 106"             | 269 | 128 <sup>3</sup> / <sub>4</sub> " | 327 | 244               | 110.7 |
| 54" x 96"    | 137 x 244 | 110"             | 279 | 133 <sup>3</sup> / <sub>4</sub> " | 338 | 250               | 113.4 |
| 58" x 104"   | 147 x 264 | 119"             | 302 | 141 <sup>3</sup> / <sub>4</sub> " | 360 | 261               | 118.4 |
| 65" x 116"   | 165 x 295 | 133"             | 338 | 154 <sup>3</sup> / <sub>4</sub> " | 393 | 279               | 126.6 |
| 78" x 139"   | 198 x 353 | 159"             | 404 | 179 <sup>3</sup> / <sub>4</sub> " | 457 | 300               | 136.1 |

### SQUARE FORMAT DIMENSIONS

| Viewing Area |           | *Overall Length of Case           |     | Approx. Ship. Wt. |       |
|--------------|-----------|-----------------------------------|-----|-------------------|-------|
| H x W        | Cm        | In.                               | Cm  | Lbs.              | Kg    |
| 50" x 50"    | 127 x 127 | 86 <sup>3</sup> / <sub>4</sub> "  | 220 | 140               | 63.5  |
| 60" x 60"    | 152 x 152 | 97 <sup>3</sup> / <sub>4</sub> "  | 248 | 155               | 70.3  |
| 70" x 70"    | 178 x 178 | 109 <sup>1</sup> / <sub>4</sub> " | 277 | 183               | 83.0  |
| 84" x 84"    | 213 x 213 | 125 <sup>3</sup> / <sub>4</sub> " | 319 | 211               | 95.7  |
| 6' x 8'      | 183 x 244 | 135 <sup>3</sup> / <sub>4</sub> " | 345 | 244               | 110.7 |
| 8' x 8'      | 244 x 244 | 139 <sup>1</sup> / <sub>4</sub> " | 354 | 244               | 110.7 |
| 7' x 9'      | 213 x 274 | 149 <sup>3</sup> / <sub>4</sub> " | 380 | 267               | 120.2 |
| 9' x 9'      | 274 x 274 | 148 <sup>1</sup> / <sub>4</sub> " | 377 | 267               | 120.2 |
| 8' x 10'     | 244 x 305 | 163 <sup>1</sup> / <sub>4</sub> " | 415 | 279               | 126.6 |
| 10' x 10'    | 305 x 305 | 160 <sup>1</sup> / <sub>4</sub> " | 407 | 279               | 126.6 |
| 9' x 12'     | 274 x 366 | 183 <sup>3</sup> / <sub>4</sub> " | 467 | 323               | 146.5 |
| 12' x 12'    | 366 x 366 | 193 <sup>1</sup> / <sub>4</sub> " | 491 | 328               | 148.8 |

\*Add 7" to overall length for mounting brackets.

**All screens standard with 12" black drop at the top.**

Extra drop may alter case dimensions. Contact Da-Lite for details.

Overall case length dimensions ±<sup>1</sup>/<sub>4</sub>".

Specifications subject to change without notice.

Detailed dimensional drawings, wiring diagrams and installation instructions available upon request.

Custom formats and sizes available upon request.

**WHEN ORDERING, MARK APPROPRIATE SELECTIONS:**

**Select size from charts on the other side.**

**Select method of installation:**

- Type 1 and 2 – Offset or Flush Mounting.
- Type 3 – Extended Mounting.

**Select viewing surface:**

- Da-Mat®
- Audio Vision
- High Contrast Da-Mat®
- High Contrast Audio Vision
- Dual Vision
- Pearlescent
- Cinema Vision
- High Contrast Cinema Vision
- High Contrast Cinema Perf
- Da-TeX® (Rear)

**Options:**

- Single motor Low Voltage Control (LVC) - external.
- Wireless Remote Control for LVC.
  - Radio Frequency Remote
  - Radio Frequency Range Extender available
  - Infrared Remote
- Key Locking Cover Plate for 120V or LVC Switch.
- Key Operated Switch for 120V only (NOTE: Cannot be used with LVC).
- 220 Volt (50 Hz) motor.
- Video Projector Interface Control - external.
- External SCB-100 - RS-232 Serial Control Board
  - NET-100 Ethernet-Serial Adapter
- White box (black standard).
- White doors (brushed aluminum standard).

Project: \_\_\_\_\_

Architect: \_\_\_\_\_

Phone: \_\_\_\_\_

Contractor: \_\_\_\_\_

Phone: \_\_\_\_\_

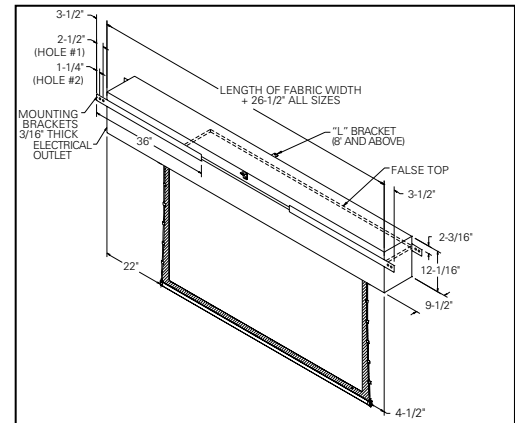
Supervisor: \_\_\_\_\_

Phone: \_\_\_\_\_

Supplier: \_\_\_\_\_

Date: \_\_\_\_\_

Revised: \_\_\_\_\_



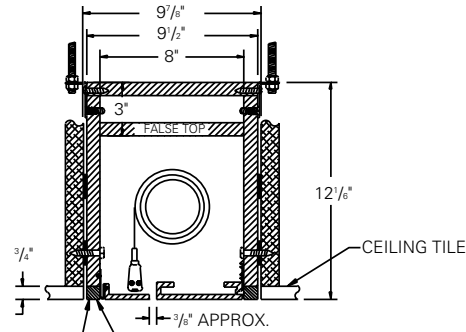
**TENSIONED EXECUTIVE ELECTROL®**

**SUGGESTED METHODS FOR INSTALLATION  
ACCORDING TO CEILING TYPE**

**TYPE 1 & 2**

**Offset mounting,** recessed above ceiling, for plaster, dry wall or paneling. Door painted same finish as ceiling.

INCLUDING MOUNTING BRACKETS

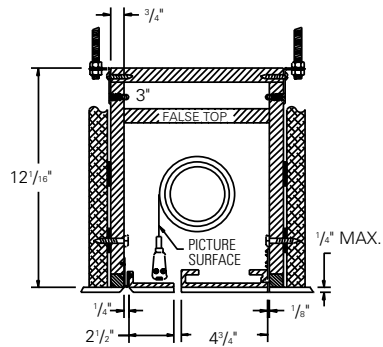


**NOTE:** Paint the same as doors and ceiling or remove and replace with ceiling tile.

**TYPE 1 & 2**

Allow 1/8" min. clearance all around surface door.

**Flush mounting,** recessed above ceiling. For use with 1/2" max. paneling or installation in existing ceiling using molding around door.



**TYPE 3**

Allow 1/8" min. clearance all around surface door.

**Extended mounting,** recessed above ceiling. For use with acoustical or other ceiling tile 3/4" thick laid over door.

