

The
POWER *In*
PRESENTATION PRODUCTS



**Instruction Book for
DUAL MASKING ELECTROL®**



DA-LITE SCREEN COMPANY, INC.

3100 North Detroit Street
Post Office Box 137
Warsaw, Indiana 46581-0137
Phone: 574-267-8101
800-622-3737
Fax: 574-267-7804
Toll Free Fax: 877-325-4832
www.da-lite.com
e-mail: info@da-lite.com

IMPORTANT SAFETY INSTRUCTIONS

When using your video equipment, basic safety precautions should always be followed, including the following:

1. Read and understand all instructions before using.
2. Position the cord so that it will not be tripped over, pulled, or contact hot surfaces.
3. If an extension cord is necessary, a cord with a current rating at least equal to that of the appliance should be used. Cords rated for less amperage than the appliance may overheat.
4. To reduce the risk of electric shock, do not disassemble this appliance. Contact an authorized service dealer when repair work is required. Incorrect reassembly can cause electric shock when the appliance is used subsequently.
5. The use of an accessory attachment not recommended by the manufacturer may cause a risk of fire, electric shock, or injury to persons.

SAVE THESE INSTRUCTIONS

PRE-INSTALLATION

1. Carefully unpack screen.
2. Make sure to recheck measurements of screen location before installation.
3. Remove center support brackets (on 8' and wider screens only), reverse brackets and reinstall flush with the top of the box.

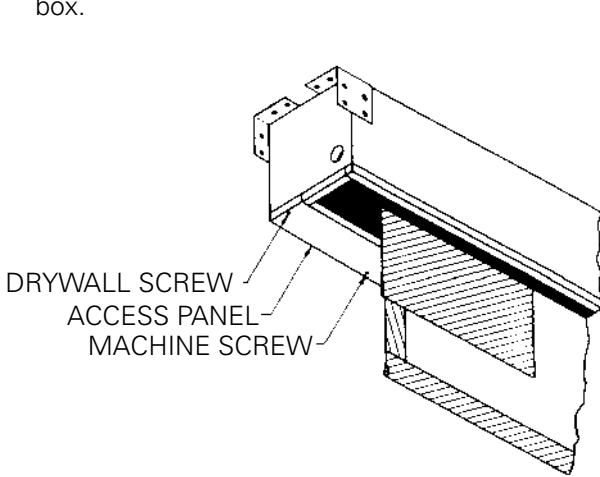


FIGURE 1

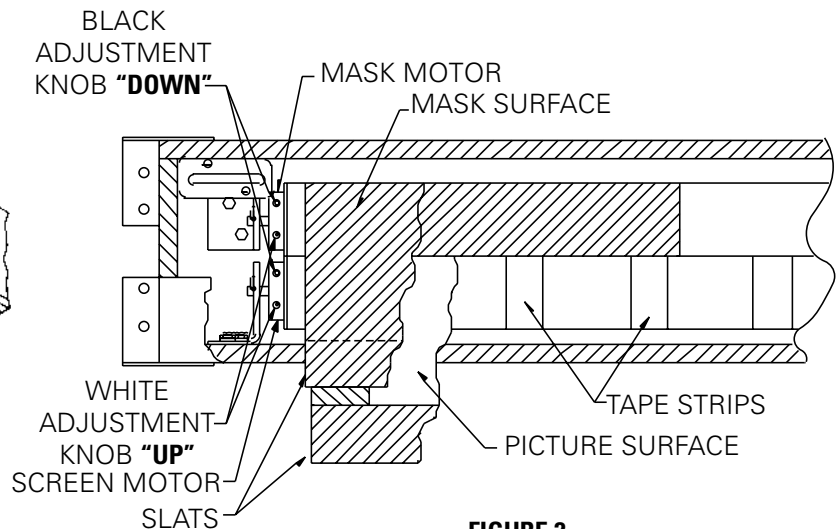


FIGURE 2

INSTALLATION

1. Install screen by raising unit into position between joists at one end only. Install one lag screw in each mounting bracket.
2. Level unit lengthwise with a carpenter's level and plumb level. Secure opposite end.

CAUTION! Do not seal in until screen has been secured in position and properly tested for satisfactory operation.

3. Detach access panel by removing screws, see figure 1.
4. Remove junction box cover plate.
5. Install electrical hook up that applies to your unit. Make sure to review your electrical installation checklist and wiring diagrams (included) for either 120 volt switch, 220/240 volt switch or DRC low voltage control.

NOTE: Must be installed in accordance with the requirements of the Local Building Codes, the Canadian Electrical Code (CEC), CAN/CSA C22.1 and the National Electric Code (NEC), NFPA 70.

CAUTION! DO NOT CUT TAPE ON FABRIC WITH KNIFE OR ANY SHARP TOOL. PULL ORANGE STRING.

6. Carefully remove wood boards securing mask surface to case.
7. Carefully remove tape strips securing picture surface around roller. Slats should move freely (Fig. 2).
8. Test installation by carefully running picture and mask surfaces up and down several times. Be prepared to stop screen. Standard Duty Cycle: 1 MIN. ON / 3 MIN. OFF.
9. Run the picture surface upward. When the picture surface is fully up the limit switch (in the motor) is tripped and the motor shuts off.
10. Test the mask surface the same as testing the picture surface. The mask will start down off the front of the roller, travel completely down past the bottom of the viewing surface, then "step back" against the viewing surface to eliminate shadowing by rolling up the back side of the roller. Do not adjust the limits to change this feature.
11. Check for satisfactory condition by operating screen a few times. Reinstall access panel.

SCREEN ADJUSTMENT FOR 120V SCREENS

CAUTION! THE MASK SHOULD NOT BE FIELD ADJUSTED FOR MORE OR LESS DROP.

Surface travel is stopped automatically in the fully opened and closed positions by limit switches that are properly adjusted at Da-Lite. Should it be necessary to adjust for more or less drop of picture, proceed in the following manner:

NOTE: Use a screw driver or allen wrench to make adjustments.

MORE SCREEN DROP

1. Remove access panel (Fig. 1).
2. Place operating switch in "down" position.
3. When the screen stops, turn the black "down" limit knob (Fig. 2) one-quarter turn counterclockwise. Test by raising picture surface approximately two feet, then lower again. Repeat until desired picture surface position is attained.

NOTE: Must leave 1-1/2 wraps of fabric on roller!

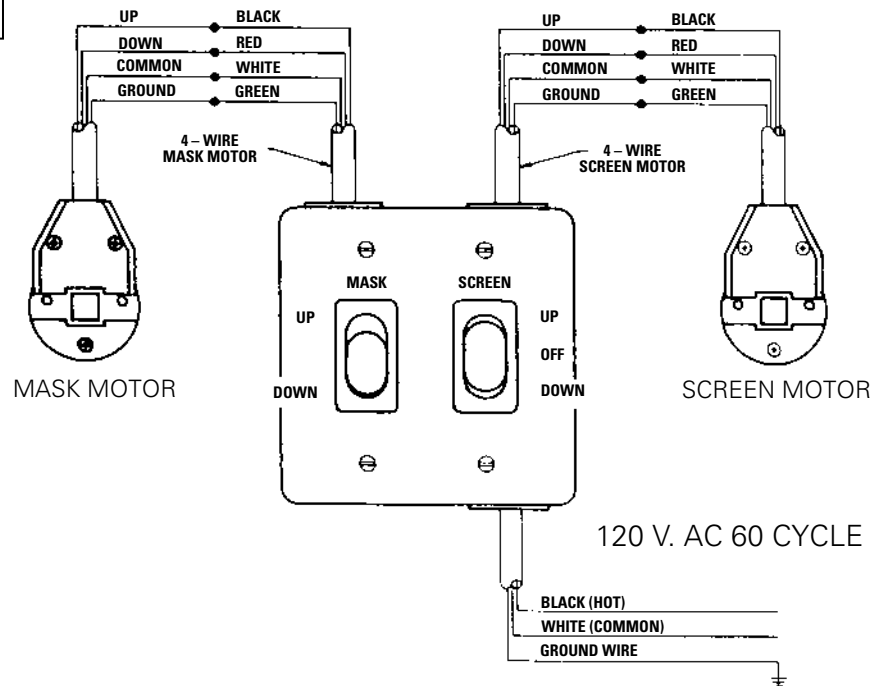
4. Replace access panel.

LESS SCREEN DROP

1. Remove access panel. (Fig. 1).
2. Raise picture surface approximately two feet above desired level.
3. Place operating switch in "off" position.
4. Turn the black "down" limit knob (Fig. 2) one-quarter turn clockwise. Test by raising picture surface approximately two feet, then lower again. Repeat until desired picture surface position is attained.
5. Replace access panel.

DUAL MASKING ELECTROL® INSTRUCTIONS

120V WIRING DIAGRAM



SCREEN ADJUSTMENT FOR 220/240V SCREENS

CAUTION! THE MASK SHOULD NOT BE FIELD ADJUSTED FOR MORE OR LESS DROP.

Surface travel is stopped automatically in the fully opened and closed positions by limit switches that are properly adjusted at Da-Lite. Should it be necessary to adjust for more or less drop of picture, proceed in the following manner:

NOTE: Use a screw driver or allen wrench to make adjustments.

MORE SCREEN DROP

1. Remove access panel (Fig. 1).
2. Place operating switch in "down" position.
3. When the screen stops, turn the red "down" limit knob (Fig. 2) one-quarter turn counterclockwise. Test by raising picture surface approximately two feet, then lower again. Repeat until desired picture surface position is attained.

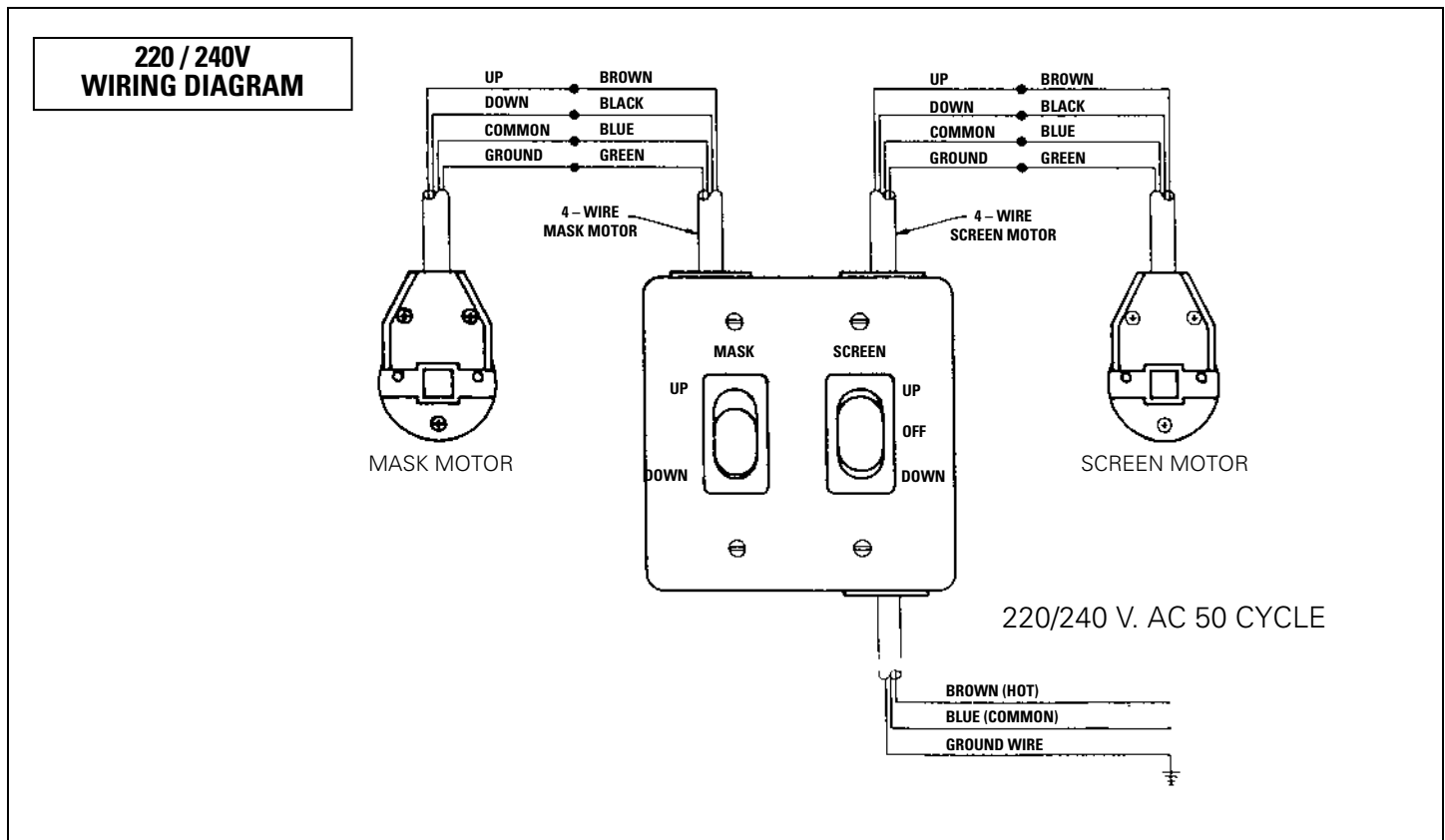
NOTE: Must leave 1-1/2 wraps of fabric on roller!

4. Replace access panel.

LESS SCREEN DROP

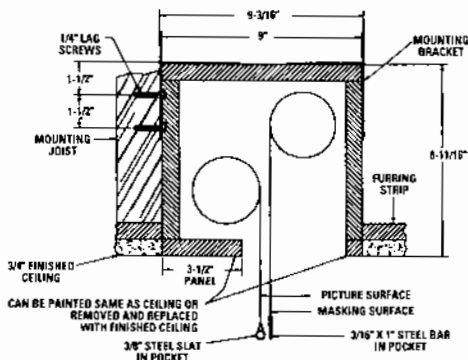
1. Remove access panel. (Fig. 1).
2. Raise picture surface approximately two feet above desired level.
3. Place operating switch in "off" position.
4. Turn the red "down" limit knob (Fig. 2) one-quarter turn clockwise. Test by raising picture surface approximately two feet, then lower again. Repeat until desired picture surface position is attained.
5. Replace access panel.

DUAL MASKING ELECTROL® INSTRUCTIONS



SUGGESTED METHODS OF INSTALLATION

METHOD A

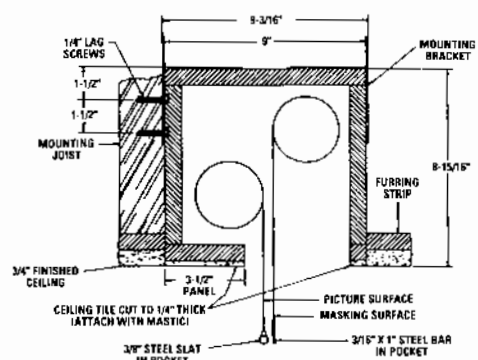


Offset mounting, recessed above ceiling. For plaster, dry wall, tile or paneling. Bottom of case painted same finish as ceiling.

NOTE:

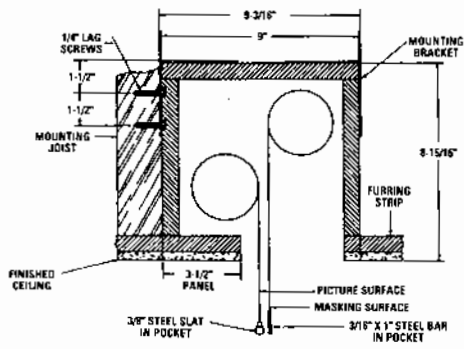
MUST MARK HOLE LOCATION OF SCREWS IN 3-1/2\"

METHOD B



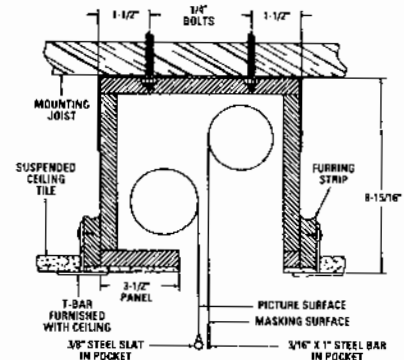
Offset mounting, recessed above ceiling. May be adapted for 3/4" ceiling, but cut to 1/4" thick under screen case and panel.

METHOD C



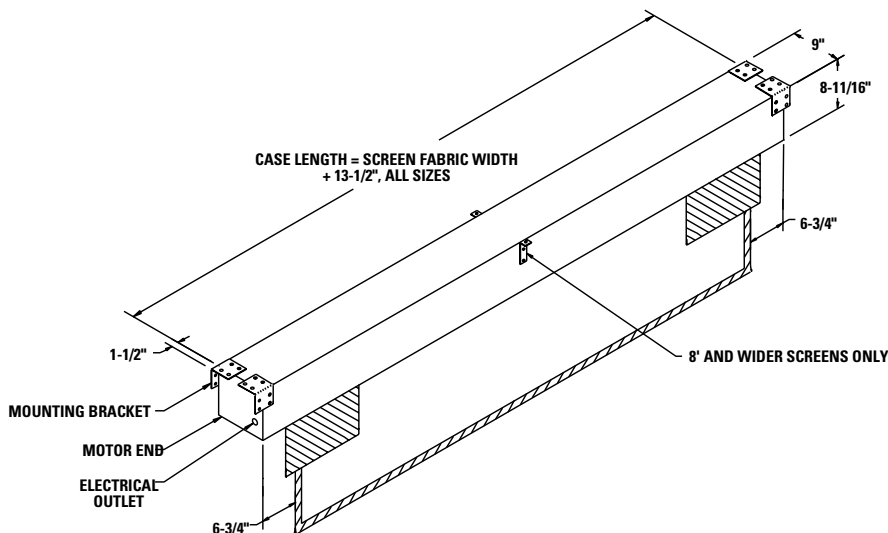
Offset mounting, recessed above ceiling. May be adapted for 1/4" paneling for ceiling.

METHOD D



Flush mounting, recessed above ceiling. For use with dropped ceiling. May also be adapted for use with acoustical or other ceiling 3/4" thick but cut to 1/4" thick under screen case and panel.

DUAL MASKING ELECTROL® INSTRUCTIONS



TROUBLESHOOTING

SYMPTOM	CAUSE	SOLUTION
1. Screen will not operate. Motor does not hum.	<p>(a) Incorrect line voltage.</p> <p>(b) Blown fuse.</p> <p>(c) Tripped circuit breaker.</p> <p>(d) No power to operating switch or junction.</p> <p>Power at junction box</p> <p>(e) Thermal overload tripped.</p> <p>(f) Broken wire in the "down" or "up" position.</p> <p>(g) Defective motor, limit switch or capacitor.</p> <p>(h) Capacitor burned out.</p>	<p>(a) Verify 115-125V (or 220-240V). If insufficient voltage, rewire incoming electric line.</p> <p>(b) Replace fuse.</p> <p>(c) Reset circuit breaker.</p> <p>(d) Check above. Tighten all loose wire connections. Correct any improper connections.</p> <p>"Down" Position Check for power across black and white leads.</p> <p>"Up" Position Check for power across red and white leads.</p> <p>(e) Let motor cool down for 15 minutes. Try again.</p> <p>(f) Check for continuity. Cut off old splice and reconnect.</p> <p>(g) Replace motor assembly. NOTE: Motor is a sealed assembly.</p> <p>(h) Replace motor assembly.</p>
2. Incorrect stopping position in downward direction.	<p>(a) Lost roller wrap.</p> <p>(b) "Down" limit switch out of adjustment</p>	<p>(a) See instructions below.</p> <p>(b) See installation instructions.</p>
3. Incorrect stopping position in upward direction.	<p>(a) Lost roller wrap.</p> <p>(b) "Up" limit switch out of adjustment</p>	<p>(a) See instructions below.</p> <p>(b) Adjust "up" limit switch. See installation instructions</p>
4. Noise. NOTE: Screen will operate with a low pitched hum.	<p>(a) Gear Noise.</p>	<p>(a) Replace motor assembly.</p>
5. Coasting.	<p>(a) Defective brake.</p>	<p>(a) Replace motor assembly.</p>

RESTORING LOST ROLLER WRAP

1. Tape a strap to the bottom of the screen surface.
2. Push strap over back of roller.
3. Feed fabric as you pull strap to draw fabric over top of roller.
4. Remove tape and strap.

