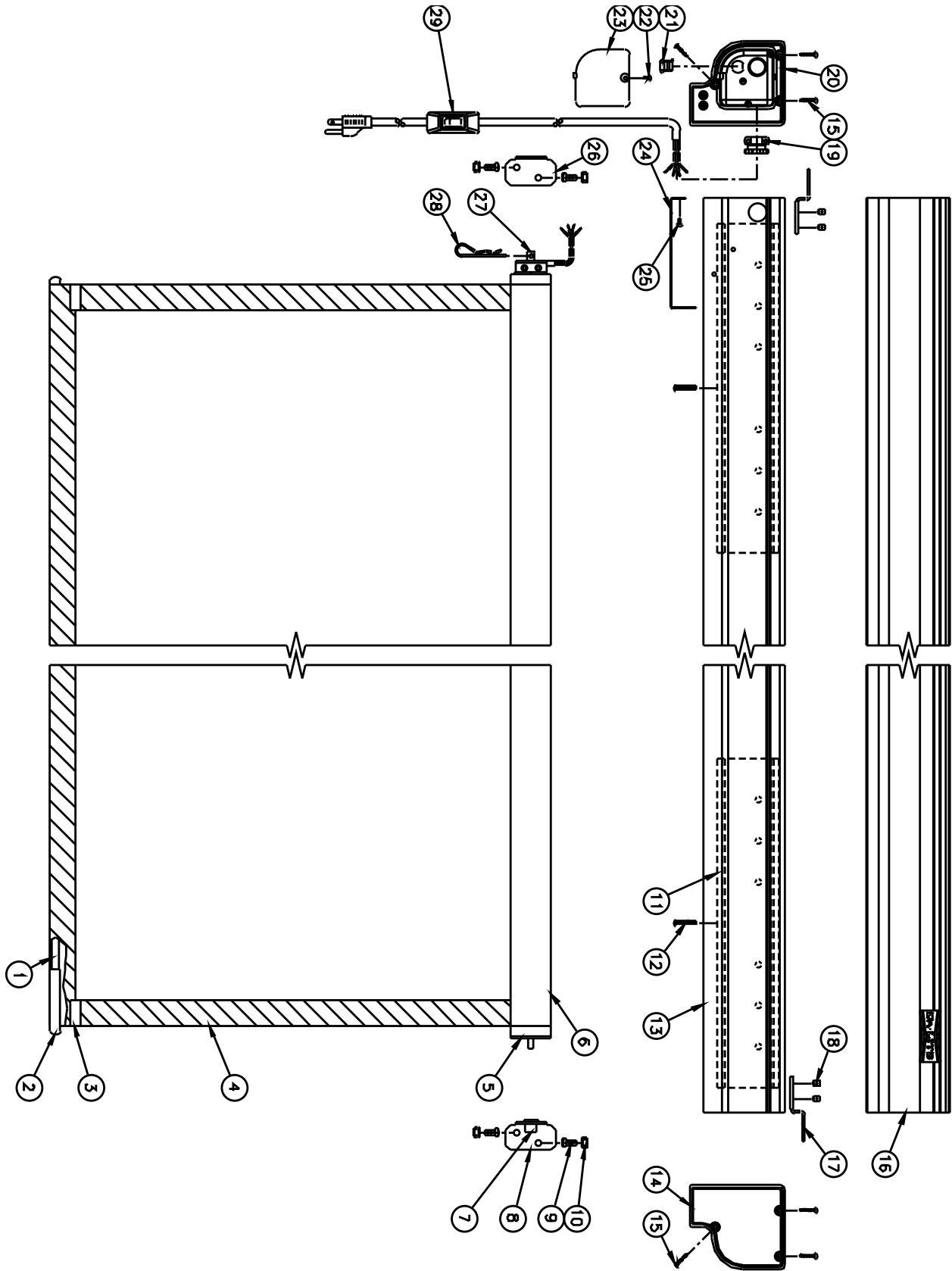




# DESIGNER CONTOUR® ELECTROL®/ DESIGNER CINEMA



# DESIGNER CONTOUR® ELECTROL®/DESIGNER CINEMA

| Item No. | Da-Lite Part No. | Description  | Quantity Required | List Price Each |
|----------|------------------|--|-------------------|-----------------|
| 1        | 46338            | Slat, 3/8" diam. for 50" screens. . . . .                                      | 1                 | \$6.20          |
|          | 46339            | Slat, 3/8" diam. for 60" and 72" diag. screens. . . . .                        | 1                 | 6.80            |
|          | 46340            | Slat, 3/8" diam. for 70", 84" diag. and 77" diag. screens. . . . .             | 1                 | 7.40            |
|          | 46341            | Slat, 3/8" diam. for 84", 96" diag., 100" diag. and 92" diag. screens. . . . . | 1                 | 7.90            |
|          | 46342            | Slat, 3/8" diam. for 8', 120" diag. and 106" diag. screens. . . . .            | 1                 | 9.00            |
| 2        | 46763            | Slat cap, black. . . . .   | 2                 | 0.30            |
| 3        | 46922            | Tape for pocket, black. . . . .  | 2                 | 0.64            |
| 4        | 97594            | Fabric, Matte White 50" x 50". . . . .   | 1                 | 71.40           |
|          | 92767            | Fabric, High Contrast Matte White 50" x 50". . . . .                           | 1                 | 90.30           |
|          | 90939            | Fabric, Video Spectra 1.5 50" x 50". . . . .                                   | 1                 | 90.30           |
|          | 90940            | Fabric, High Power 50" x 50". . . . .  | 1                 | 320.00          |
|          | 97596            | Fabric, Matte White 60" x 60". . . . .   | 1                 | 113.00          |
|          | 92768            | Fabric, High Contrast Matte White 60" x 60". . . . .                           | 1                 | 126.00          |
|          | 97598            | Fabric, Video Spectra 1.5 60" x 60". . . . .                                   | 1                 | 126.00          |
|          | 97599            | Fabric, High Power 60" x 60". . . . .  | 1                 | 364.00          |
|          | 97600            | Fabric, Matte White 70" x 70". . . . .   | 1                 | 141.00          |
|          | 92769            | Fabric, High Contrast Matte White 70" x 70". . . . .                           | 1                 | 155.00          |
|          | 97602            | Fabric, Video Spectra 1.5 70" x 70". . . . .                                   | 1                 | 155.00          |
|          | 97603            | Fabric, High Power 70" x 70". . . . .  | 1                 | 386.00          |
|          | 97604            | Fabric, Matte White 84" x 84". . . . .   | 1                 | 228.00          |
|          | 92770            | Fabric, High Contrast Matte White 84" x 84". . . . .                           | 1                 | 254.00          |
|          | 90941            | Fabric, Video Spectra 1.5 84" x 84". . . . .                                   | 1                 | 254.00          |
|          | 90942            | Fabric, High Power 84" x 84". . . . .  | 1                 | 486.00          |
|          | 97617            | Fabric, Matte White 6' x 8'. . . . .   | 1                 | 292.00          |
|          | 92777            | Fabric, High Contrast Matte White 6' x 8'. . . . .                             | 1                 | 320.00          |
|          | 97619            | Fabric, Video Spectra 1.5 6' x 8'. . . . .                                     | 1                 | 320.00          |
|          | 97620            | Fabric, High Power 6' x 8'. . . . .  | 1                 | 538.00          |
|          | 90947            | Fabric, Matte White 8' x 8'. . . . .   | 1                 | 330.00          |
|          | 92772            | Fabric, High Contrast Matte White 8' x 8'. . . . .                             | 1                 | 364.00          |
|          | 90949            | Fabric, Video Spectra 1.5 8' x 8'. . . . .                                     | 1                 | 364.00          |
|          | 90950            | Fabric, High Power 8' x 8'. . . . .  | 1                 | 580.00          |
|          | 97606            | Fabric, Matte White 43" x 57" - 72" diag. . . . .                              | 1                 | 113.00          |
|          | 92773            | Fabric, High Contrast Matte White 43" x 57" - 72" diag. . . . .                | 1                 | 126.00          |
|          | 90951            | Fabric, Video Spectra 1.5 43" x 57" - 72" diag. . . . .                        | 1                 | 126.00          |
|          | 97608            | Fabric, High Power 43" x 57" - 72" diag. . . . .                               | 1                 | 364.00          |
|          | 97609            | Fabric, Matte White 50" x 67" - 84" diag. . . . .                              | 1                 | 141.00          |
|          | 92774            | Fabric, High Contrast Matte White 50" x 67" - 84" diag. . . . .                | 1                 | 155.00          |
|          | 97611            | Fabric, Video Spectra 1.5 50" x 67" - 84" diag. . . . .                        | 1                 | 155.00          |
|          | 97612            | Fabric, High Power 50" x 67" - 84" diag. . . . .                               | 1                 | 386.00          |
|          | 90952            | Fabric, Matte White 57" x 77" - 96" diag. . . . .                              | 1                 | 210.00          |
|          | 92775            | Fabric, High Contrast Matte White 57" x 77" - 96" diag. . . . .                | 1                 | 228.00          |
|          | 90954            | Fabric, Video Spectra 1.5 57" x 77" - 96" diag. . . . .                        | 1                 | 228.00          |
|          | 90955            | Fabric, High Power 57" x 77" - 96" diag. . . . .                               | 1                 | 458.00          |
|          | 97613            | Fabric, Matte White 60" x 80" - 100" diag. . . . .                             | 1                 | 210.00          |
|          | 92776            | Fabric, High Contrast Matte White 60" x 80" - 100" diag. . . . .               | 1                 | 228.00          |
|          | 97615            | Fabric, Video Spectra 1.5 60" x 80" - 100" diag. . . . .                       | 1                 | 228.00          |
|          | 97616            | Fabric, High Power 60" x 80" - 100" diag. . . . .                              | 1                 | 458.00          |
|          | 97617            | Fabric, Matte White 69" x 92" - 120" diag. . . . .                             | 1                 | 292.00          |
|          | 92777            | Fabric, High Contrast Matte White 69" x 92" - 120" diag. . . . .               | 1                 | 320.00          |
|          | 97619            | Fabric, Video Spectra 1.5 69" x 92" - 120" diag. . . . .                       | 1                 | 320.00          |
|          | 97620            | Fabric, High Power 69" x 92" - 120" diag. . . . .                              | 1                 | 538.00          |
|          | 97967            | Fabric, Matte White 37 1/2" x 67" - 77" diag. . . . .                          | 1                 | 141.00          |

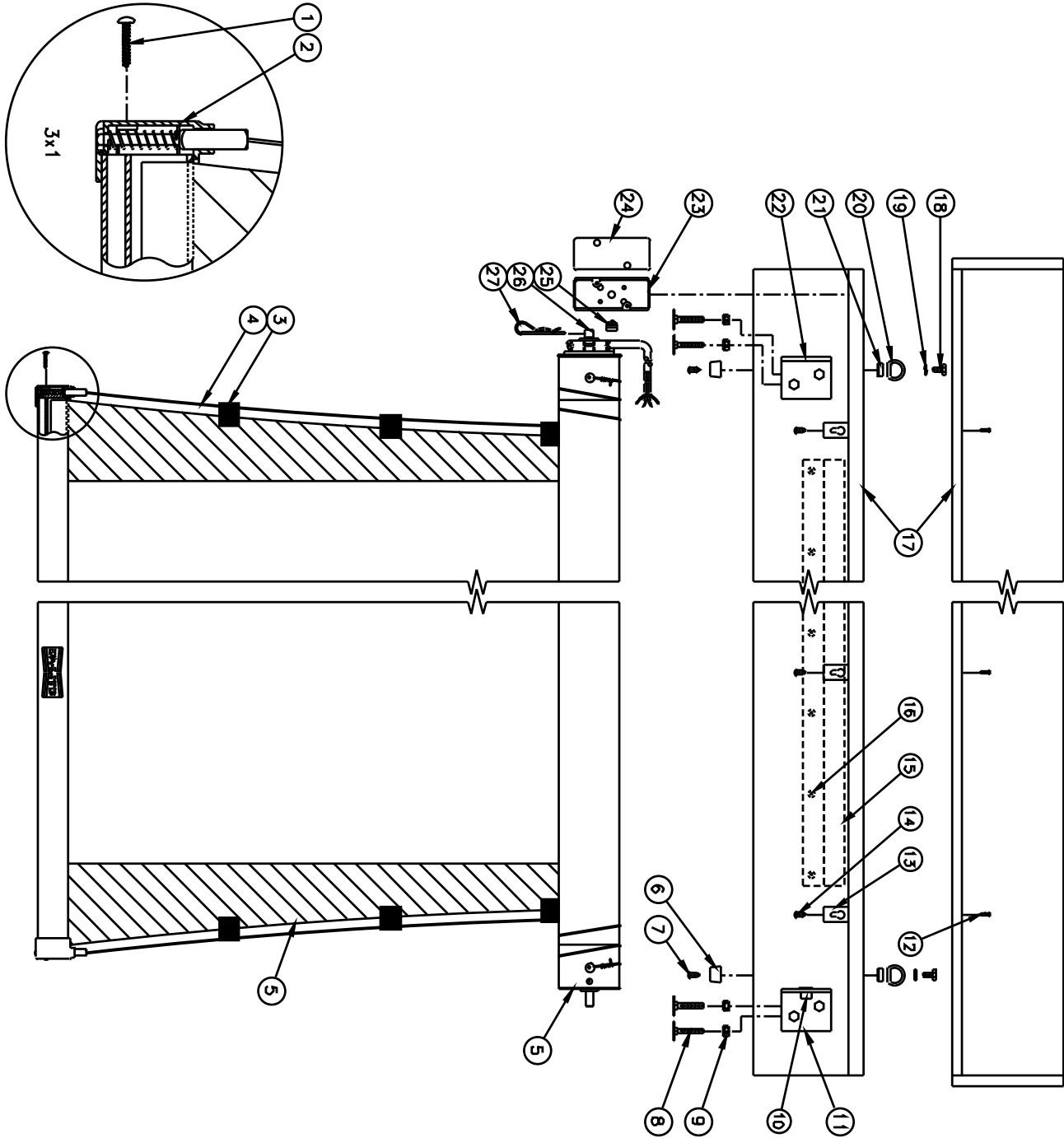
# DESIGNER CONTOUR® ELECTROL®/DESIGNER CINEMA

| Item No. | Da-Lite Part No. | Description   | Quantity Required | List Price Each |
|----------|------------------|---|-------------------|-----------------|
|          | 97968            | Fabric, High Contrast Matte White 37 1/2" x 67" - 77" diag. . . . .                       | 1                 | \$155.00        |
|          | 97970            | Fabric, Video Spectra 1.5 37 1/2" x 67" - 77" diag. . . . .                               | 1                 | 155.00          |
|          | 97971            | Fabric, High Power 37 1/2" x 67" - 77" diag. . . . .                                      | 1                 | 386.00          |
|          | 97621            | Fabric, Matte White 45" x 80" - 92" diag. . . . .   | 1                 | 210.00          |
|          | 92778            | Fabric, High Contrast Matte White 45" x 80" - 92" diag. . . . .                           | 1                 | 228.00          |
|          | 91801            | Fabric, Video Spectra 1.5 45" x 80" - 92" diag. . . . .                                   | 1                 | 228.00          |
|          | 97745            | Fabric, High Power 45" x 80" - 92" diag. . . . .  | 1                 | 458.00          |
|          | 97622            | Fabric, Matte White 52" x 92" - 106" diag. . . . .  | 1                 | 292.00          |
|          | 92779            | Fabric, High Contrast Matte White 52" x 92" - 106" diag. . . . .                          | 1                 | 320.00          |
|          | 91804            | Fabric, Video Spectra 1.5 52" x 92" - 106" diag. . . . .                                  | 1                 | 320.00          |
|          | 91805            | Fabric, High Power 52" x 92" - 106" diag. . . . .   | 1                 | 538.00          |
| 5        | 89648            | Pin end plug . . . . .  | 1                 | 2.30            |
| 6        | 90956            | Roller assy. for 50" screens (includes #5) . . . . .                                      | 1                 | 72.10           |
|          | 90957            | Roller assy. for 60" and 72" diag. screens (includes #5) . . . . .                        | 1                 | 76.40           |
|          | 90958            | Roller assy. for 70", 84" diag. and 77" diag. screens (includes #5) . . . . .             | 1                 | 85.30           |
|          | 90959            | Roller assy. for 84", 96" diag., 100" diag. and 92" diag. screens (includes #5) . . . . . | 1                 | 94.00           |
|          | 90960            | Roller assy. for 8', 120" diag. and 106" diag. screens (includes #5) . . . . .            | 1                 | 103.00          |
| 7        | 46083            | Flange bearing . . . . .  | 1                 | 0.28            |
| 8        | 89590            | Roller bracket assy., pin end (prior to 9/04/07) (not shown) . . . . .                    | 1                 | 12.60           |
|          | 93518            | Roller bracket assy., pin end (includes #7) . . . . .                                     | 1                 | 12.60           |
| 9        | 34137            | Bolt for roller brackets. . . . .   | 4                 | 0.70            |
| 10       | 80874            | Hex nut for roller brackets . . . . .   | 4                 | 0.30            |
| 11       | 88770            | Hanger bracket . . . . .  | 1                 | 15.60           |
| 12       | 88823            | Screw for hanger bracket . . . . .  | 2                 | 0.18            |
| 13       | 90909            | White base for 50" screens . . . . .  | 1                 | 100.00          |
|          | 90910            | White base for 60" and 72" diag. screens. . . . .   | 1                 | 107.00          |
|          | 90911            | White base for 70", 84" diag. and 77" diag. screens. . . . .                              | 1                 | 116.00          |
|          | 90912            | White base for 84", 96" diag., 100" diag. and 92" diag. screens. . . . .                  | 1                 | 122.00          |
|          | 90913            | White base for 8', 120" diag. and 106" diag. screens. . . . .                             | 1                 | 128.00          |
|          | 90914            | White base for 50" screens with LVC . . . . .   | 1                 | 105.00          |
|          | 90915            | White base for 60" and 72" diag. screens with LVC . . . . .                               | 1                 | 113.00          |
|          | 90916            | White base for 70", 84" diag. and 77" diag. screens with LVC . . . . .                    | 1                 | 120.00          |
|          | 90917            | White base for 84", 96" diag., 100" diag. and 92" diag. screens with LVC . . . . .        | 1                 | 126.00          |
|          | 89192            | White base for 8', 120" diag. and 106" diag. screens with LVC . . . . .                   | 1                 | 132.00          |
| 14       | 89619            | Pin end cap, white . . . . .  | 1                 | 6.80            |
| 15       | 90483            | Screw for end caps. . . . .   | 6                 | 0.28            |
| 16       | 90919            | White cover for 50" screens . . . . .   | 1                 | 96.20           |
|          | 90920            | White cover for 60" and 72" diag. screens . . . . .                                       | 1                 | 103.00          |
|          | 90921            | White cover for 70", 84" diag. and 77" diag. screens . . . . .                            | 1                 | 109.00          |
|          | 90922            | White cover for 84", 96" diag., 100" diag. and 92" diag. screens . . . . .                | 1                 | 118.00          |
|          | 90923            | White cover for 8', 120" diag. and 106" diag. screens . . . . .                           | 1                 | 124.00          |
|          | 90924            | White cover for 50" screens with LVC . . . . .  | 1                 | 98.70           |
|          | 90925            | White cover for 60" and 72" diag. screens with LVC . . . . .                              | 1                 | 105.00          |
|          | 90926            | White cover for 70", 84" diag. and 77" diag. screens with LVC . . . . .                   | 1                 | 113.00          |
|          | 90927            | White cover for 84", 96" diag., 100" diag. and 92" diag. screens with LVC. . . . .        | 1                 | 120.00          |
|          | 89193            | White cover for 8', 120" diag. and 106" diag. screens with LVC. . . . .                   | 1                 | 126.00          |
| 17       | 89571            | Hanger bracket . . . . .  | 2                 | 10.10           |
| 18       | 37312            | Set screw for hanger brackets . . . . .   | 4                 | 0.64            |
| 19       | 54520            | Connector, cable 3/8" . . . . .   | 1                 | 1.26            |
| 20       | 89618            | Motor end cap, white . . . . .  | 1                 | 6.80            |
|          | 89615            | Motor end cap assy., white 120v for screens with LVC (includes #19) . . . . .             | 1                 | 332.00          |
|          | 90933            | Motor end cap assy., white 120v for screens with Wireless LVC/IR (includes #19). . . . .  | 1                 | 392.00          |

Electric Screens

# DESIGNER CONTOUR® ELECTROL®/DESIGNER CINEMA

| Item No. | Da-Lite Part No. | Description   | Quantity Required | List Price Each |
|----------|------------------|---|-------------------|-----------------|
|          | 32095            | Motor end cap assy., white 240v for screens with LVC (includes #19) . . . . .               | 1                 | \$332.00        |
|          | 32614            | Motor end cap assy., white 240v for screens with Wireless LVC/IR (includes #19) . . . . .   | 1                 | 392.00          |
| 21       | 97719            | Strain relief . . . . .   | 1                 | 0.42            |
| 22       | 89464            | Screw for cover plate, white. . . . .   | 1                 | 0.34            |
| 23       | 89617            | Cover plate, motor end cap . . . . .  | 1                 | 4.10            |
| 24       | 37739WHITE       | Wire cover for standard screens . . . . .   | 1                 | 2.50            |
|          | 89572            | LVC cover . . . . .   | 1                 | 3.30            |
|          | 91651            | LVC/IR cover . . . . .  | 1                 | 3.30            |
| 25       | 77814            | Screw for LVC and LVC/IR cover, black. . . . .  | 2                 | 0.34            |
| 26       | 89576            | Roller bracket, motor end (prior to 9/04/07) (not shown) . . . . .                          | 1                 | 12.60           |
|          | 36158BLACK       | Roller bracket, motor end . . . . .   | 1                 | 37.80           |
|          | 91795            | Roller bracket assy., motor end for LVC and LVC/IR (prior to 9/04/07) (not shown) . . . . . | 1                 | 12.80           |
|          | 93519            | Roller bracket assy., motor end for LVC and LVC/IR (not shown) . . . . .                    | 1                 | 12.80           |
| 27       | 35100            | Motor and assy., 120v . . . . .   | 1                 | 394.00          |
|          | 32707            | Motor and assy., 240v . . . . .   | 1                 | 394.00          |
| 28       | 97290            | Hair cotter pin, 5/16" - 1/2" x 1 5/8". . . . .   | 1                 | 0.46            |
| 29       | 76286            | Cord set with switch for Designer Cinema . . . . .  | 1                 | 65.50           |
|          | 51521            | Cord set for built-in Infrared Remote Designer Contour screens (not shown). . . . .         | 1                 | 21.00           |
| 30       | 80575            | Wall switch, 120v white (not shown) . . . . .   | 1                 | 70.00           |
|          | 40961            | Wall switch, 120v ivory (not shown) . . . . .   | 1                 | 70.00           |
|          | 80575E           | Wall switch, 240v ivory (not shown) . . . . .   | 1                 | 70.00           |



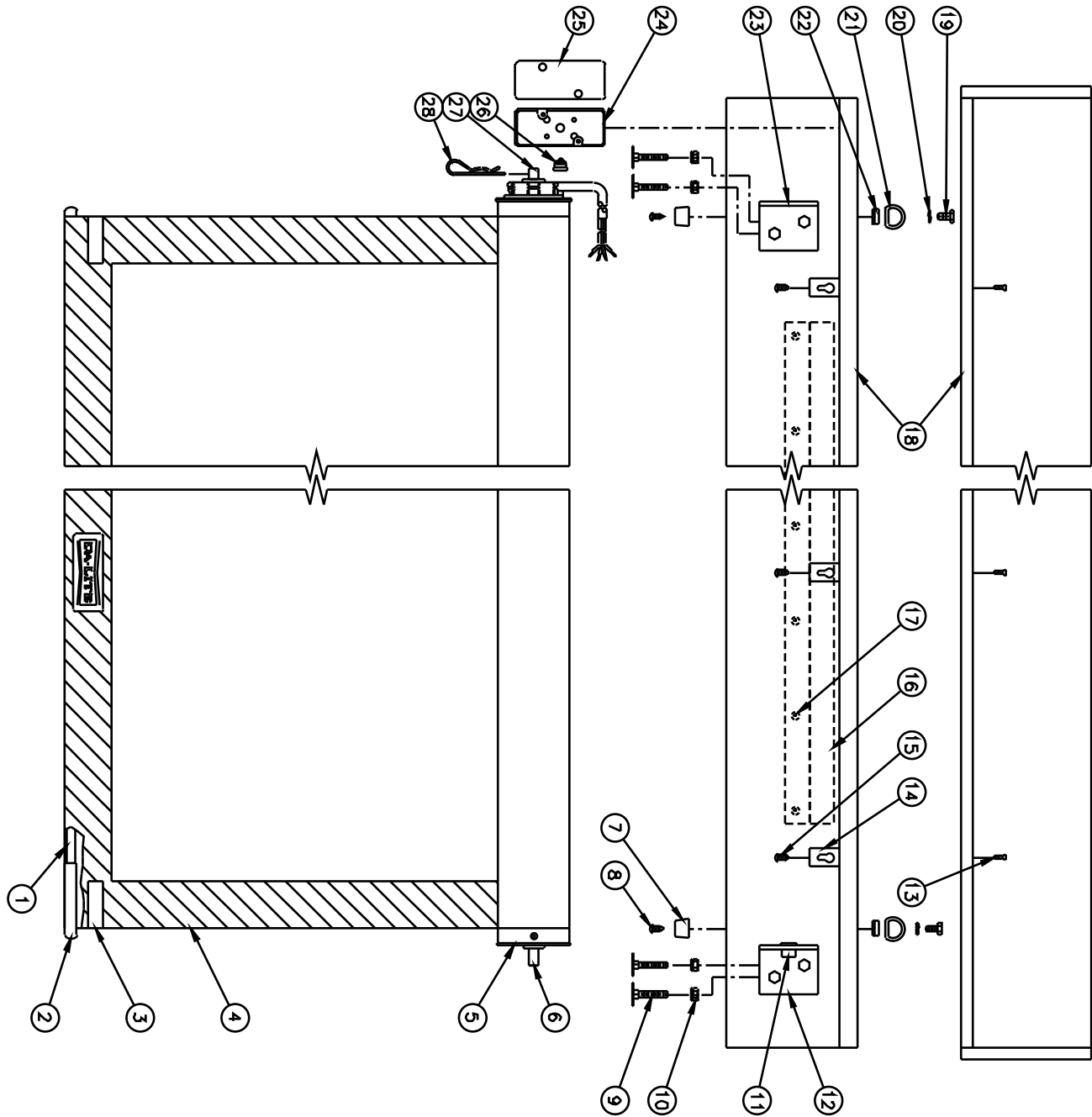
# DESIGNER DA-TAB ELECTROL®

| Item No. | Da-Lite Part No. | Description   | Quantity Required | List Price Each |
|----------|------------------|---|-------------------|-----------------|
| 1        | 44839            | Screw for slat cap assy. . . . .  | 4                 | \$0.26          |
| 2        | 92030            | Slat cap assy. (includes #1). . . . .   | 2                 | 9.00            |
| 3        | 94680            | Tab. . . . .  | 14-20             | 0.34            |
| 4        | 75658            | Line, chalk and mason black (per foot) . . . . .<br>(Figure one side at approximately height of fabric + 2' + any extra needed) | Per size          | 0.22            |
| 5        |                  | Fabric and roller assemblies include #2, 3 and 4  |                   |                 |
|          | 80299            | Fabric and roller assy., Da-Mat 43" x 57" - 72" diag. . . . .   | 1                 | 820.00          |
|          | 88962            | Fabric and roller assy., High Contrast Da-Mat 43" x 57" - 72" diag. . . . .   | 1                 | 820.00          |
|          | 80300            | Fabric and roller assy., Pearlescent 43" x 57" - 72" diag. . . . .  | 1                 | 1098.00         |
|          | 80301            | Fabric and roller assy., Cinema Vision 43" x 57" - 72" diag. . . . .  | 1                 | 1314.00         |
|          | 90394            | Fabric and roller assy., High Contrast Cinema Vision 43" x 57" - 72" diag. . . . .  | 1                 | 1314.00         |
|          | 91607            | Fabric and roller assy., High Contrast Cinema Perf 43" x 57" - 72" diag. . . . .  | 1                 | 1760.00         |
|          | 84698            | Fabric and roller assy., Audio Vision 43" x 57" - 72" diag. . . . .   | 1                 | 1538.00         |
|          | 91431            | Fabric and roller assy., High Contrast Audio Vision 43" x 57" - 72" diag. . . . .   | 1                 | 1538.00         |
|          | 86505            | Fabric and roller assy., Da-Tex 43" x 57" - 72" diag. . . . .   | 1                 | 1224.00         |
|          | 80656            | Fabric and roller assy., Dual Vision 43" x 57" - 72" diag. . . . .  | 1                 | 1224.00         |
|          | 80302            | Fabric and roller assy., Da-Mat 50" x 67" - 84" diag. . . . .   | 1                 | 900.00          |
|          | 88963            | Fabric and roller assy., High Contrast Da-Mat 50" x 67" - 84" diag. . . . .   | 1                 | 900.00          |
|          | 80303            | Fabric and roller assy., Pearlescent 50" x 67" - 84" diag. . . . .  | 1                 | 1208.00         |
|          | 80304            | Fabric and roller assy., Cinema Vision 50" x 67" - 84" diag. . . . .  | 1                 | 1444.00         |
|          | 90395            | Fabric and roller assy., High Contrast Cinema Vision 50" x 67" - 84" diag. . . . .  | 1                 | 1444.00         |
|          | 91608            | Fabric and roller assy., High Contrast Cinema Perf 50" x 67" - 84" diag. . . . .  | 1                 | 1890.00         |
|          | 84699            | Fabric and roller assy., Audio Vision 50" x 67" - 84" diag. . . . .   | 1                 | 1668.00         |
|          | 91432            | Fabric and roller assy., High Contrast Audio Vision 50" x 67" - 84" diag. . . . .   | 1                 | 1668.00         |
|          | 86506            | Fabric and roller assy., Da-Tex 50" x 67" - 84" diag. . . . .   | 1                 | 1346.00         |
|          | 80657            | Fabric and roller assy., Dual Vision 50" x 67" - 84" diag. . . . .  | 1                 | 1346.00         |
|          | 80305            | Fabric and roller assy., Da-Mat 60" x 80" - 100" diag. . . . .  | 1                 | 994.00          |
|          | 88964            | Fabric and roller assy., High Contrast Da-Mat 60" x 80" - 100" diag. . . . .  | 1                 | 994.00          |
|          | 80306            | Fabric and roller assy., Pearlescent 60" x 80" - 100" diag. . . . .   | 1                 | 1330.00         |
|          | 80307            | Fabric and roller assy., Cinema Vision 60" x 80" - 100" diag. . . . .   | 1                 | 1588.00         |
|          | 90396            | Fabric and roller assy., High Contrast Cinema Vision 60" x 80" - 100" diag. . . . .   | 1                 | 1588.00         |
|          | 91609            | Fabric and roller assy., High Contrast Cinema Perf 60" x 80" - 100" diag. . . . .   | 1                 | 2032.00         |
|          | 84700            | Fabric and roller assy., Audio Vision 60" x 80" - 100" diag. . . . .  | 1                 | 1810.00         |
|          | 91433            | Fabric and roller assy., High Contrast Audio Vision 60" x 80" - 100" diag. . . . .  | 1                 | 1810.00         |
|          | 85791            | Fabric and roller assy., Da-Tex 60" x 80" - 100" diag. . . . .  | 1                 | 1482.00         |
|          | 80658            | Fabric and roller assy., Dual Vision 60" x 80" - 100" diag. . . . .   | 1                 | 1482.00         |
|          | 80308            | Fabric and roller assy., Da-Mat 69" x 92" - 120" diag. . . . .  | 1                 | 1098.00         |
|          | 88965            | Fabric and roller assy., High Contrast Da-Mat 69" x 92" - 120" diag. . . . .  | 1                 | 1098.00         |
|          | 80309            | Fabric and roller assy., Pearlescent 69" x 92" - 120" diag. . . . .   | 1                 | 1466.00         |
|          | 80310            | Fabric and roller assy., Cinema Vision 69" x 92" - 120" diag. . . . .   | 1                 | 1748.00         |
|          | 90397            | Fabric and roller assy., High Contrast Cinema Vision 69" x 92" - 120" diag. . . . .   | 1                 | 1748.00         |
|          | 91610            | Fabric and roller assy., High Contrast Cinema Perf 69" x 92" - 120" diag. . . . .   | 1                 | 2194.00         |
|          | 84701            | Fabric and roller assy., Audio Vision 69" x 92" - 120" diag. . . . .  | 1                 | 1972.00         |
|          | 91434            | Fabric and roller assy., High Contrast Audio Vision 69" x 92" - 120" diag. . . . .  | 1                 | 1972.00         |
|          | 86507            | Fabric and roller assy., Da-Tex 69" x 92" - 120" diag. . . . .  | 1                 | 1630.00         |
|          | 80659            | Fabric and roller assy., Dual Vision 69" x 92" - 120" diag. . . . .   | 1                 | 1630.00         |
| 6        | 47353            | Gray rubber foot . . . . .  | 2                 | 0.46            |
| 7        | 83502            | Screw for rubber foot . . . . .   | 2                 | 0.30            |
| 8        | 46306            | Elevator bolt for roller brackets. . . . .  | 4                 | 0.48            |
| 9        | 80874            | Hex nut, 1/4" - 20 for roller brackets. . . . .   | 4                 | 0.30            |
| 10       | 46394            | Flanged bearing . . . . .   | 1                 | 0.52            |
| 11       | 86644            | Roller bracket assy., pin end. . . . .  | 1                 | 11.40           |
| 12       | 93655            | Screw for finished case front . . . . .   | 3                 | 1.26            |

# DESIGNER DA-TAB ELECTROL®

| Item No. | Da-Lite Part No. | Description   | Quantity Required | List Price Each |
|----------|------------------|---|-------------------|-----------------|
| 13       | 78282            | Bracket for front to back case . . . . .  | 3                 | \$2.80          |
| 14       | 52751            | Screw for case bracket . . . . .  | 6                 | 0.26            |
| 15       | 54412            | Wall hanger for 72" diag., 84" diag. and 100" diag. screens . . . . .                   | 2                 | 28.50           |
|          | 54412            | Wall hanger for 120" diag. screens . . . . .  | 4                 | 28.50           |
| 16       | 83658            | Screw for wall hanger for 72" diag., 84" diag. and 100" diag. screens . . . . .         | 6                 | 0.22            |
|          | 83658            | Screw for wall hanger for 120" diag. screens . . . . .                                  | 12                | 0.22            |
| 17       |                  | Case assemblies include #12, 13 and 14  |                   |                 |
|          | 75489            | Case assy. for 72" diag. screens, veneer Concord . . . . .                              | 1                 | 1006.00         |
|          | 75570            | Case assy. for 72" diag. screens, veneer Lexington . . . . .                            | 1                 | 1006.00         |
|          | 75574            | Case assy. for 72" diag. screens, laminate Cambridge . . . . .                          | 1                 | 1006.00         |
|          | 75578            | Case assy. for 72" diag. screens, veneer Hamilton . . . . .                             | 1                 | 1006.00         |
|          | 75582            | Case assy. for 72" diag. screens, veneer Lancaster . . . . .                            | 1                 | 1006.00         |
|          | 75586            | Case assy. for 72" diag. screens, veneer York . . . . .                                 | 1                 | 1006.00         |
|          | 75490            | Case assy. for 84" diag. screens, veneer Concord . . . . .                              | 1                 | 1072.00         |
|          | 75571            | Case assy. for 84" diag. screens, veneer Lexington . . . . .                            | 1                 | 1072.00         |
|          | 75575            | Case assy. for 84" diag. screens, laminate Cambridge . . . . .                          | 1                 | 1072.00         |
|          | 75579            | Case assy. for 84" diag. screens, veneer Hamilton . . . . .                             | 1                 | 1072.00         |
|          | 75583            | Case assy. for 84" diag. screens, veneer Lancaster . . . . .                            | 1                 | 1072.00         |
|          | 75587            | Case assy. for 84" diag. screens, veneer York . . . . .                                 | 1                 | 1072.00         |
|          | 75491            | Case assy. for 100" diag. screens, veneer Concord . . . . .                             | 1                 | 1102.00         |
|          | 75572            | Case assy. for 100" diag. screens, veneer Lexington . . . . .                           | 1                 | 1102.00         |
|          | 75576            | Case assy. for 100" diag. screens, laminate Cambridge . . . . .                         | 1                 | 1102.00         |
|          | 75580            | Case assy. for 100" diag. screens, veneer Hamilton . . . . .                            | 1                 | 1102.00         |
|          | 75584            | Case assy. for 100" diag. screens, veneer Lancaster . . . . .                           | 1                 | 1102.00         |
|          | 75588            | Case assy. for 100" diag. screens, veneer York . . . . .                                | 1                 | 1102.00         |
|          | 76963            | Case assy. for 120" diag. screens, veneer Concord . . . . .                             | 1                 | 1166.00         |
|          | 76966            | Case assy. for 120" diag. screens, veneer Lexington . . . . .                           | 1                 | 1166.00         |
|          | 76962            | Case assy. for 120" diag. screens, laminate Cambridge . . . . .                         | 1                 | 1166.00         |
|          | 76964            | Case assy. for 120" diag. screens, veneer Hamilton . . . . .                            | 1                 | 1166.00         |
|          | 76965            | Case assy. for 120" diag. screens, veneer Lancaster . . . . .                           | 1                 | 1166.00         |
|          | 76967            | Case assy. for 120" diag. screens, veneer York . . . . .                                | 1                 | 1166.00         |
| 18       | 44777            | Screw for top hanger bracket . . . . .  | 4                 | 0.14            |
| 19       | 46307            | Split lockwasher for top hanger bracket . . . . .                                       | 4                 | 0.10            |
| 20       | 45518            | D-ring . . . . .  | 2                 | 0.50            |
| 21       | 74597BLACK       | Top hanger bracket . . . . .  | 2                 | 4.90            |
| 22       | 86409            | Roller bracket assy., motor end . . . . .   | 1                 | 11.40           |
| 23       | 81659            | Junction box . . . . .  | 1                 | 6.30            |
| 24       | 91175            | Junction box cover . . . . .  | 1                 | 2.50            |
| 25       | 46458            | Bushing, strain relief . . . . .  | 1                 | 0.26            |
| 26       | 36844            | Motor assy., 120v . . . . .   | 1                 | 600.00          |
|          | 36844S           | Motor assy., 120v Silent . . . . .  | 1                 | 800.00          |
|          | 32717            | Motor assy., 240v . . . . .   | 1                 | 600.00          |
|          | 32717S           | Motor assy., 240v Silent . . . . .  | 1                 | 800.00          |
|          | 94785TABS        | Drive wheel/rubber mount for screens purchased before 1/22/04 (not shown) . . . . .     | 1                 | 20.00           |
| 27       | 97290            | Hair cotter pin, 5/16" - 1/2" x 1 5/8" . . . . .  | 1                 | 0.46            |
| 28       | 80575            | Wall switch, 120v white (not shown) . . . . .   | 1                 | 70.00           |
|          | 40961            | Wall switch, 120v ivory (not shown) . . . . .   | 1                 | 70.00           |
|          | 80575E           | Wall switch, 240v ivory (not shown) . . . . .   | 1                 | 70.00           |
|          | 90964            | Hardware for hanging 72" diag., 84" diag., and 100" diag. screens (not shown) . . . . . | 1                 | 11.20           |
|          | 90964            | Hardware for hanging 120" diag. screens (not shown) . . . . .                           | 2                 | 11.20           |

Electric Screens





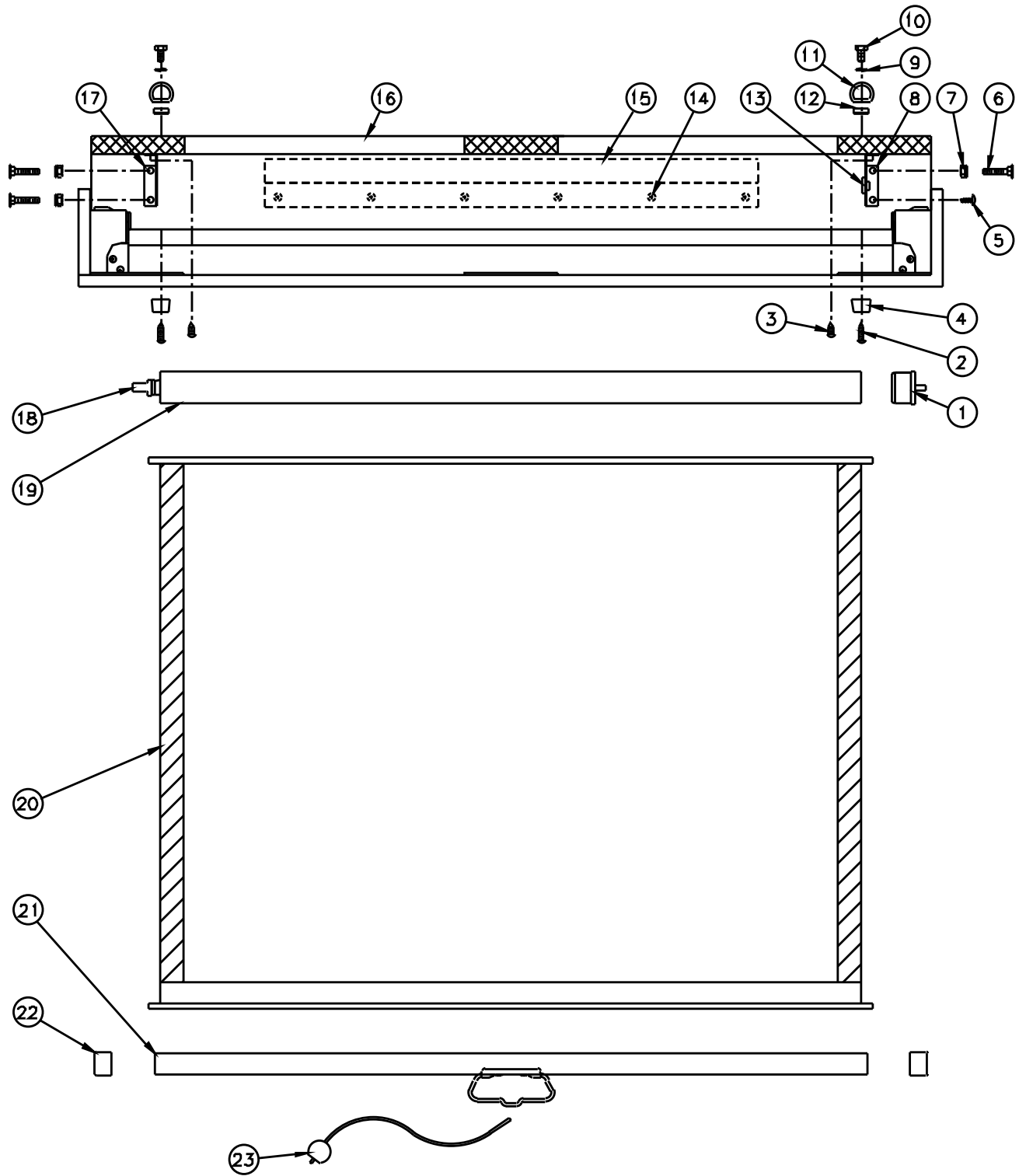
# DESIGNER ELECTROL®

| Item No.                               | Da-Lite Part No. | Description  | Quantity Required                                     | List Price Each |       |
|--|------------------|--|---|-----------------|-------|
| 1                                      | 46340            | Slat, 3/8" diam. for 70" and 84" diag. screens . . . . .               | 1   | \$7.40          |       |
|  | 46341            | Slat, 3/8" diam. for 84" and 100" diag. screens . . . . .              | 1   | 7.90            |       |
|  | 46342            | Slat, 3/8" diam. for 96" and 120" diag. screens . . . . .              | 1   | 9.00            |       |
| 2                                      | 46763            | Slat cap, black . . . . .  | 2   | 0.30            |       |
| 3                                      | 46922            | Tape for pocket, black . . . . .                                       | 2   | 0.64            |       |
|  | 91876            | Tape for pocket, black (not shown) . . . . .                           | 2   | 0.64            |       |
| 4                                      | 79649            | Fabric, Matte White 70" x 70" . . . . .                                | 1   | 141.00          |       |
|  | 78042            | Fabric, High Power 70" x 70" . . . . .                                 | 1   | 386.00          |       |
|  | 79650            | Fabric, Matte White 84" x 84" . . . . .                                | 1   | 228.00          |       |
|  | 30096            | Fabric, High Power 84" x 84" . . . . .                                 | 1   | 486.00          |       |
|  | 79625            | Fabric, Matte White 96" x 96" . . . . .                                | 1   | 330.00          |       |
|  | 80472            | Fabric, High Power 96" x 96" . . . . .                                 | 1   | 580.00          |       |
|  | 79639            | Fabric, Matte White 50" x 67" - 84" diag. . . . .                      | 1   | 141.00          |       |
|  | 78045            | Fabric, High Power 50" x 67" - 84" diag. . . . .                       | 1   | 386.00          |       |
|  | 79641            | Fabric, Matte White 60" x 80" - 100" diag. . . . .                     | 1   | 210.00          |       |
|  | 78047            | Fabric, High Power 60" x 80" - 100" diag. . . . .                      | 1   | 458.00          |       |
|  | 79643            | Fabric, Matte White 69" x 92" - 120" diag. . . . .                     | 1   | 292.00          |       |
|  | 78048            | Fabric, High Power 69" x 92" - 120" diag. . . . .                      | 1   | 538.00          |       |
|  | 5                | 58533  | Roller assy. for 70" and 84" diag. screens . . . . .  | 1               | 52.50 |
|  |                  | 58534  | Roller assy. for 84" and 100" diag. screens . . . . . | 1               | 54.60 |
| 58535                                  |                  | Roller assy. for 96" and 120" diag. screens . . . . .                  | 1   | 56.70           |       |
| 6                                      | 33442            | Fabric and roller assy., Matte White 70" x 70" . . . . .               | 1   | 204.00          |       |
|  | 33446            | Fabric and roller assy., High Power 70" x 70" . . . . .                | 1   | 450.00          |       |
|  | 33447            | Fabric and roller assy., Matte White 84" x 84" . . . . .               | 1   | 294.00          |       |
|  | 33451            | Fabric and roller assy., High Power 84" x 84" . . . . .                | 1   | 550.00          |       |
|  | 33457            | Fabric and roller assy., Matte White 96" x 96" . . . . .               | 1   | 400.00          |       |
|  | 33461            | Fabric and roller assy., High Power 96" x 96" . . . . .                | 1   | 648.00          |       |
|  | 33488            | Fabric and roller assy., Matte White 50" x 67" - 84" diag. . . . .     | 1   | 204.00          |       |
|  | 33492            | Fabric and roller assy., High Power 50" x 67" - 84" diag. . . . .      | 1   | 450.00          |       |
|  | 33498            | Fabric and roller assy., Matte White 60" x 80" - 100" diag. . . . .    | 1   | 276.00          |       |
|  | 33502            | Fabric and roller assy., High Power 60" x 80" - 100" diag. . . . .     | 1   | 522.00          |       |
|  | 33452            | Fabric and roller assy., Matte White 69" x 92" - 120" diag. . . . .    | 1   | 362.00          |       |
|  | 33456            | Fabric and roller assy., High Power 69" x 92" - 120" diag. . . . .     | 1   | 606.00          |       |
|  | 7                | 47353  | Gray rubber foot . . . . .                            | 2               | 0.46  |
|  | 8                | 83502  | Screw for rubber foot . . . . .                       | 2               | 0.30  |
| 9                                      | 44814            | Elevator bolt for roller brackets . . . . .                            | 4   | 0.48            |       |
| 10                                     | 80874            | Hex nut, 1/4" - 20 for roller brackets . . . . .                       | 4   | 0.30            |       |
| 11                                     | 46394            | Flanged bearing . . . . .  | 1   | 0.52            |       |
| 12                                     | 86644            | Roller bracket assy., pin end (includes #11) . . . . .                 | 1   | 11.40           |       |
| 13                                     | 93655            | Screw for finished case front . . . . .                                | 3   | 1.26            |       |
| 14                                     | 78282            | Bracket for front to back case . . . . .                               | 3   | 2.80            |       |
| 15                                     | 52751            | Screw for case bracket . . . . .                                       | 6   | 0.26            |       |
| 16                                     | 54412            | Hanger bracket, back . . . . .   | 2   | 28.50           |       |
| 17                                     | 83658            | Screw for hanger bracket . . . . .                                     | 6   | 0.22            |       |
| Case assemblies include #12, 13 and 14 |                  |  |   |                 |       |
| 18                                     | 73312            | Case assy. for 70" and 84" diag. screens, veneer Concord . . . . .     | 1   | 1050.00         |       |
|  | 73324            | Case assy. for 70" and 84" diag. screens, veneer Lexington . . . . .   | 1   | 1050.00         |       |
|  | 73337            | Case assy. for 70" and 84" diag. screens, laminate Cambridge . . . . . | 1   | 1050.00         |       |
|  | 73342            | Case assy. for 70" and 84" diag. screens, veneer Hamilton . . . . .    | 1   | 1050.00         |       |
|  | 73354            | Case assy. for 70" and 84" diag. screens, veneer Lancaster . . . . .   | 1   | 1050.00         |       |
|  | 73366            | Case assy. for 70" and 84" diag. screens, veneer York . . . . .        | 1   | 1050.00         |       |
|  | 73318            | Case assy. for 84" and 100" diag. screens, veneer Concord . . . . .    | 1   | 1080.00         |       |
|  | 73330            | Case assy. for 84" and 100" diag. screens, veneer Lexington . . . . .  | 1   | 1080.00         |       |

Electric Screens

# DESIGNER ELECTROL®

| Item No. | Da-Lite Part No. | Description  | Quantity Required | List Price Each |
|----------|------------------|--|-------------------|-----------------|
|          | 73340            | Case assy. for 84" and 100" diag. screens, laminate Cambridge . . . . .            | 1                 | \$1080.00       |
|          | 73348            | Case assy. for 84" and 100" diag. screens, veneer Hamilton . . . . .               | 1                 | 1080.00         |
|          | 73360            | Case assy. for 84" and 100" diag. screens, veneer Lancaster . . . . .              | 1                 | 1080.00         |
|          | 73372            | Case assy. for 84" and 100" diag. screens, veneer York . . . . .                   | 1                 | 1080.00         |
|          | 85829            | Case assy. for 96" and 120" diag. screens, veneer Concord. . . . .                 | 1                 | 1142.00         |
|          | 85835            | Case assy. for 96" and 120" diag. screens, veneer Lexington . . . . .              | 1                 | 1142.00         |
|          | 85842            | Case assy. for 96" and 120" diag. screens, laminate Cambridge . . . . .            | 1                 | 1142.00         |
|          | 85844            | Case assy. for 96" and 120" diag. screens, veneer Hamilton . . . . .               | 1                 | 1142.00         |
|          | 85850            | Case assy. for 96" and 120" diag. screens, veneer Lancaster . . . . .              | 1                 | 1142.00         |
|          | 85856            | Case assy. for 96" and 120" diag. screens, veneer York . . . . .                   | 1                 | 1142.00         |
| 19       | 44777            | Screw for top hanger bracket . . . . .   | 4                 | 0.14            |
| 20       | 46307            | Split lockwasher for top hanger bracket . . . . .                                  | 4                 | 0.10            |
| 21       | 45518            | D-ring . . . . .   | 2                 | 0.50            |
| 22       | 74597BLACK       | Top hanger bracket . . . . .   | 2                 | 4.90            |
| 23       | 86409            | Roller bracket assy., motor end . . . . .  | 1                 | 11.40           |
| 24       | 94077            | Junction box . . . . .   | 1                 | 5.60            |
| 25       | 91175            | Junction box cover . . . . .   | 1                 | 2.50            |
| 26       | 46458            | Bushing, strain relief. . . . .  | 1                 | 0.26            |
| 27       | 79502            | Motor assy., 120v . . . . .  | 1                 | 600.00          |
|          | 79502S           | Motor assy., 120v Silent . . . . .   | 1                 | 800.00          |
|          | 32698            | Motor assy., 230v . . . . .  | 1                 | 600.00          |
|          | 32698S           | Motor assy., 230v Silent . . . . .   | 1                 | 800.00          |
|          | 94785            | Drive wheel/rubber mount for screens purchased before 1/22/04 (not shown). . . . . | 1                 | 20.00           |
| 28       | 97290            | Hair cotter pin, 5/16" - 1/2" x 1 5/8". . . . .                                    | 1                 | 0.46            |
| 29       | 80575            | Wall switch, 120v white (not shown) . . . . .                                      | 1                 | 70.00           |
|          | 40961            | Wall switch, 120v ivory (not shown) . . . . .                                      | 1                 | 70.00           |
|          | 80575E           | Wall switch, 240v ivory (not shown) . . . . .                                      | 1                 | 70.00           |
|          | 90964            | Hardware for hanging screen (not shown) . . . . .                                  | 1                 | 11.20           |



# DESIGNER MANUAL

| Item No. | Da-Lite Part No. | Description  | Quantity Required   | List Price Each |
|----------|------------------|--|---|-----------------|
| 1        | 80762            | Roller plug for 1 3/8" roller for 70" and 84" diag. screens . . . . .                    | 1   | \$1.70          |
|          | 80765            | Roller plug for 1 3/4" roller for 84", 96", 100" diag., and 120" diag. screens . . . . . | 1   | 2.30            |
| 2        | 83502            | Screw for rubber foot . . . . .  | 2   | 0.30            |
| 3        | 52751            | Screw for pin end bracket and spring end bracket . . . . .                               | 2   | 0.26            |
| 4        | 47353            | Gray rubber foot . . . . .   | 2   | 0.46            |
| 5        | 87058            | Screw for roller bracket. . . . .  | 1   | 0.26            |
| 6        | 44814            | Elevator bolt for roller brackets. . . . .   | 3   | 0.48            |
| 7        | 80874            | Hex nut, 1/4" - 20 for roller brackets. . . . .  | 3   | 0.30            |
| 8        | 78657            | Bracket, pin end . . . . .   | 1   | 16.80           |
| 9        | 46307            | Split lockwasher for hanger bracket . . . . .  | 4   | 0.10            |
| 10       | 44777            | Screw for hanger bracket . . . . .   | 4   | 0.14            |
| 11       | 45518            | D-ring . . . . .   | 2   | 0.50            |
| 12       | 74597BLACK       | Hanger bracket . . . . .   | 2   | 4.90            |
| 13       | 46083            | Nylon flange bearing. . . . .  | 1   | 0.28            |
| 14       | 83658            | Screw for wall hanger. . . . .   | 6   | 0.22            |
| 15       | 54412            | Wall hanger . . . . .  | 2   | 28.50           |
| 16       | 76477            | Case assy. for 70" and 84" diag. screens, veneer Concord . . . . .                       | 1   | 674.00          |
|          | 76479            | Case assy. for 70" and 84" diag. screens, veneer Lexington . . . . .                     | 1   | 674.00          |
|          | 76483            | Case assy. for 70" and 84" diag. screens, veneer Hamilton . . . . .                      | 1   | 674.00          |
|          | 76478            | Case assy. for 84" and 100" diag. screens, veneer Concord. . . . .                       | 1   | 690.00          |
|          | 76480            | Case assy. for 84" and 100" diag. screens, veneer Lexington . . . . .                    | 1   | 690.00          |
|          | 76484            | Case assy. for 84" and 100" diag. screens, veneer Hamilton . . . . .                     | 1   | 690.00          |
|          | 76882            | Case assy. for 96" and 120" diag. screens, veneer Concord. . . . .                       | 1   | 708.00          |
|          | 76883            | Case assy. for 96" and 120" diag. screens, veneer Lexington . . . . .                    | 1   | 708.00          |
|          | 76884            | Case assy. for 96" and 120" diag. screens, veneer Hamilton . . . . .                     | 1   | 708.00          |
|          | 17               | 78655  | Bracket, spring end for 70" and 84" diag. screens . . . . . | 1               |
| 78656    |                  | Bracket, spring end for 84", 96", 100" diag., and 120" diag. screens . . . . .           | 1   | 16.80           |
| 18       | 93493            | Spring assy., 1 3/8" roller for 70" and 84" diag. screens . . . . .                      | 1   | 13.70           |
|          | 93495            | Spring assy., 1 3/4" roller for 84", 96", 100" diag., and 120" diag. screens . . . . .   | 1   | 27.90           |
| 19       | 45317            | 1 3/8" diam. roller for 70" and 84" diag. screens. . . . .                               | 1   | 7.10            |
|          | 46277            | 1 3/4" diam. roller for 84" and 100" diag. screens. . . . .                              | 1   | 10.90           |
|          | 46279            | 1 3/4" diam. roller for 96" and 120" diag. screens. . . . .                              | 1   | 12.10           |
|          |                  | For complete roller and spring assy., order as follows: (includes items #1, 17 and 18)   |   |                 |
|          | 93955            | Camlock roller assy. for 70" and 84" diag. screens . . . . .                             | 1   | 23.50           |
|          | 93961            | Camlock roller assy. for 84" and 100" diag. screens . . . . .                            | 1   | 41.60           |
|          | 93962            | Camlock roller assy. for 96" and 120" diag. screens . . . . .                            | 1   | 42.60           |
| 20       | 57763            | Fabric, Matte White 70" x 70" . . . . .  | 1   | 141.00          |
|          | 78463            | Fabric, High Power 70" x 70" . . . . .   | 1   | 386.00          |
|          | 57961            | Fabric, Matte White 84" x 84" . . . . .  | 1   | 228.00          |
|          | 86224            | Fabric, High Power 84" x 84" . . . . .   | 1   | 486.00          |
|          | 57965            | Fabric, Matte White 96" x 96" . . . . .  | 1   | 330.00          |
|          | 86226            | Fabric, High Power 96" x 96" . . . . .   | 1   | 580.00          |
|          | 75886            | Fabric, Matte White 50" x 67" - 84" diag. . . . .  | 1   | 141.00          |
|          | 78466            | Fabric, High Power 50" x 67" - 84" diag. . . . .   | 1   | 386.00          |
|          | 86257            | Fabric, Matte White 60" x 80" - 100" diag. . . . .                                       | 1   | 210.00          |
|          | 78467            | Fabric, High Power 60" x 80" - 100" diag. . . . .  | 1   | 458.00          |
|          | 59107            | Fabric, Matte White 69" x 92" - 120" diag. . . . .                                       | 1   | 292.00          |
|          | 78468            | Fabric, High Power 69" x 92" - 120" diag. . . . .  | 1   | 538.00          |
| 21       | 95084BLACK       | Slat assy. for 70" and 84" diag. screens . . . . .                                       | 1   | 10.90           |
|          | 95086BLACK       | Slat assy. for 84" and 100" diag. screens . . . . .                                      | 1   | 12.70           |
|          | 95087BLACK       | Slat assy. for 96" and 120" diag. screens . . . . .                                      | 1   | 13.20           |
| 22       | 85875            | Outer slat cap, black . . . . .  | 2   | 0.54            |
| 23       | 93860            | Cord and knob assy. . . . .  | 1   | 3.50            |

Portable and Wall Screens

# DESIGNER MANUAL

| <b>Item No.</b> | <b>Da-Lite Part No.</b> | <b>Description</b>                                | <b>Quantity Required</b> | <b>List Price Each</b> |
|-----------------|-------------------------|---|--------------------------|------------------------|
| 24              | 90964                   | Hardware for hanging screen (not shown) . . . . . | 1                        | \$11.20                |
|                 | 87379                   | Carton - Case length + 6" . . . . .               | Per foot                 | 2.30                   |
|                 | 87016                   | U-Liner - Case length + 3" . . . . .              | Per foot                 | 1.26                   |