



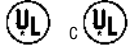
DA-LIFT

Video Projector Lift Model

SPECIFICATION DATA

DA-LITE SCREEN COMPANY, INC.
 3100 North Detroit Street
 Post Office Box 137
 Warsaw, Indiana 46581-0137
 Phone: 574-267-8101
 800-622-3737
 Fax: 574-267-7804
 Toll Free Fax: 877-325-4832
 www.da-lite.com
 e-mail: info@da-lite.com

SUGGESTED SPECIFICATIONS: _____ Video Projector Lift, Model _____ Da-Lift 15, 19 or 19L, electrically operated 120 V (60 Hz) not more than 2.2 amp. for projectors weighing up to 300 pounds. Da-Lift 10M and 15M electrically operated 120 V (60 Hz) not more than 1.5 amp. for projectors weighing up to 40 pounds. To have rack and pinion, with chain drive lift mechanism. Shall have specially designed motor, to be three wire with ground, quick reversal type, oiled for life, with automatic thermal overload cutout, integral gears, capacitor and an electric brake to prevent coasting. To have preset but adjustable limit switch to automatically stop lift in the "down" position. When raised, the lift will engage a micro switch that will cut power to the motor. Frame to be black welded steel with two electrical outlets furnished on the platform, for ceiling recessed installation. Bottom of projector lift to be adjustable to allow flush installation with surrounding surface. Removable tray is attached to bottom frame assembly to allow for ceiling tile attachment (by others). To be complete with three position control switch with cover plate. Optional low voltage, radio frequency or infrared, remotes available. Optional plenum kit available where required by code. To be listed by Underwriters' Laboratories.

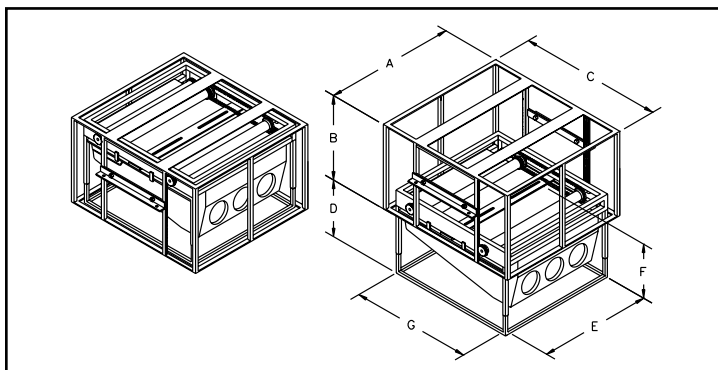


DA-LIFT VIDEO PROJECTOR LIFT SPECIFICATIONS

Model	Load Cap.		Width "A"		Height "B"		Depth "C"		Travel "D"	
	Lbs.	Kg	In.	Cm	In.	Cm	In.	Cm	In.	Cm
Da-Lift 10M	40	18	22 ⁵ / ₈ "	58	15"	38	22"	56	10"	25
Da-Lift 15M	40	18	22 ⁵ / ₈ "	58	20"	51	22"	56	15"	38
Da-Lift 15	300	136	30 ³ / ₄ "	78	20"	51	34"	86	15"	38
Da-Lift 19	300	136	32 ³ / ₄ "	83	24"	61	38"	97	19"	48
Da-Lift 19L	300	136	42 ³ / ₄ "	109	24"	61	48"	122	19"	48

INSIDE DIMENSIONS, WEIGHT, AND SHIPPING DIMENSIONS

Model	Inside Dimensions						Unit Weight		Approx. Ship. Wt.	
	Width "E"		Height "F"		Depth "G"		Lbs.	Kg	Lbs.	Kg
	In.	Cm	In.	Cm	In.	Cm				
Da-Lift 10M	18 ¹ / ₂ "	47	10" - 17"	25 - 43	17 ¹ / ₂ "	45	87	39.6	115	52.3
Da-Lift 15M	18 ¹ / ₂ "	47	15" - 22"	38 - 56	17 ¹ / ₂ "	45	87	39.6	115	52.3
Da-Lift 15	26 ¹ / ₂ "	67	15" - 22"	38 - 56	28 ¹ / ₂ "	72	122	55.5	172	78.2
Da-Lift 19	28 ¹ / ₂ "	72	19" - 30"	48 - 76	32 ¹ / ₂ "	82	132	60.0	182	82.7
Da-Lift 19L	38 ¹ / ₂ "	98	19" - 30"	48 - 76	42 ¹ / ₂ "	108	177	80.5	215	97.7



WHEN ORDERING, MARK APPROPRIATE SELECTIONS:

Select size from charts on the other side.

Optional Accessories:

- Single motor Low Voltage Control (LVC) - external.
- Wireless Remote Control for LVC.
 - Radio Frequency Remote
 - Radio Frequency Range Extender available
 - Infrared Remote
- Key Locking Cover Plate for 120 V Switch or LVC.
- Key Operated Switch for 120 V only (NOTE: Cannot be used with LVC).
- 220/240 Volt (50 Hz) Motor.
- Video Projector Interface Control - external.
- SCB-100 RS-232 Serial Control Board - external.
 - NET-100 Ethernet-Serial Adapter
- Plenum Kit.

Project:	_____
Architect:	_____
Phone:	_____
Contractor:	_____
Phone:	_____
Supervisor:	_____
Phone:	_____
Date:	_____
Revised:	_____

DA-LIFT

