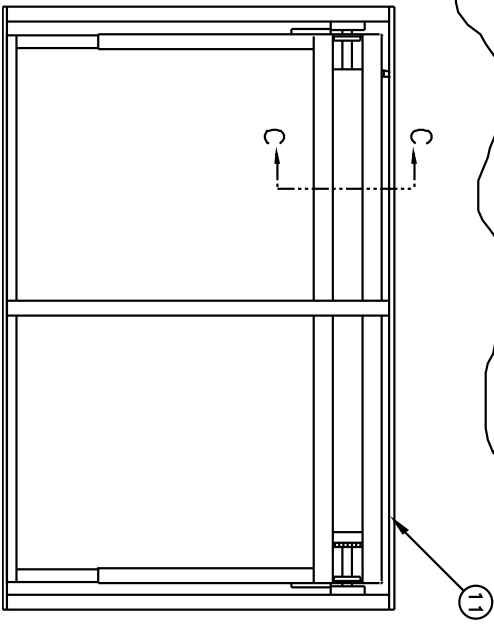
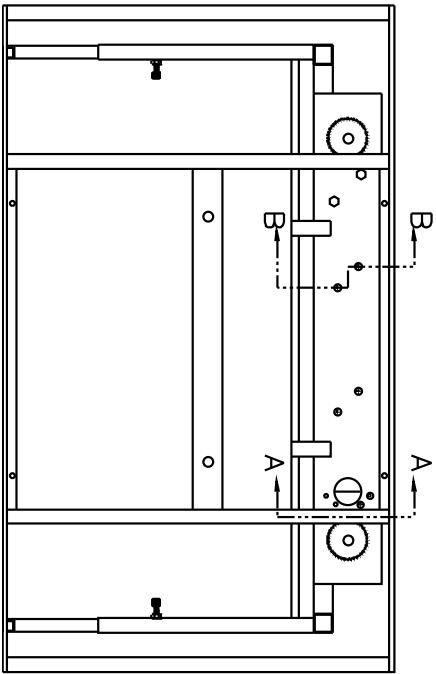
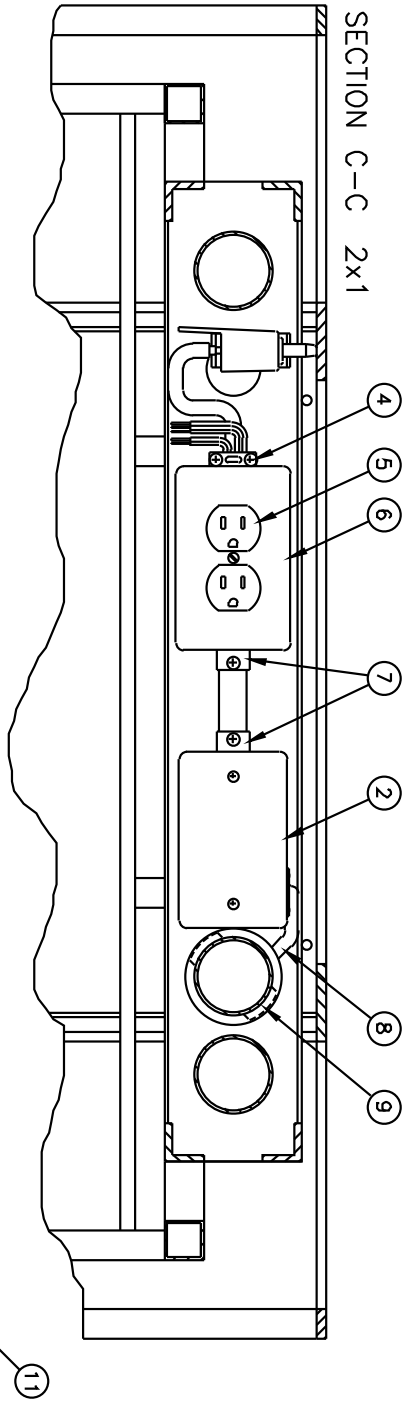
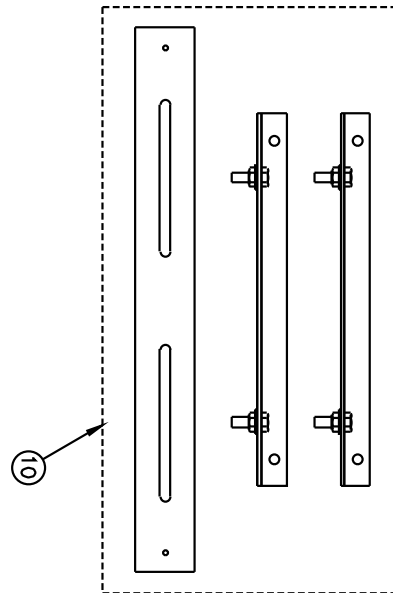
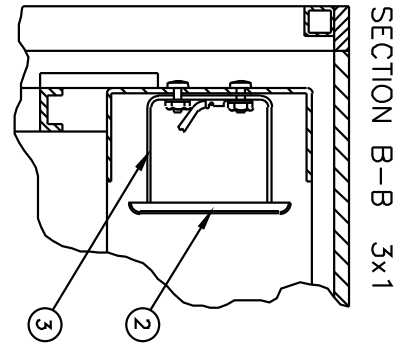
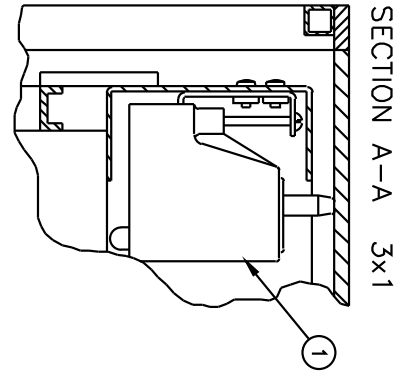


**DA-LIFT VIDEO PROJECTOR LIFT**



# DA-LIFT VIDEO PROJECTOR LIFT

Item No.	Da-Lite Part No.	Description	Quantity Required	List Price Each
1	78103	Microswitch assy., 120v . . . . .	1	\$44.80
	30562	Microswitch assy., 240v for Euro Da-Lift . . . . .	1	44.80
2	78102	Cover, junction box plain. . . . .	1	2.50
3	46430	Junction box . . . . .	2	6.80
4	54520	Connector, cable 3/8" . . . . .	2	1.26
5	50450	Receptacle, duplex-black for 120v. . . . .	1	17.50
	30574	Receptacle, duplex-ivory for 240v (not shown). . . . .	1	17.50
6	78101	Cover, duplex-receptacle. . . . .	1	2.30
7	83704	Connector, EMT 1/2". . . . .	2	0.68
8	93947	Motor, 120v for Da-Lift 10M and 15M . . . . .	1	578.00
	82736	Motor, 120v for Da-Lift 15 (after April, 1998), Da-Lift 19 and 19L. . . . .	1	918.00
	32579	Motor, 240v Da-Lift 10M and 15M . . . . .	1	578.00
	82738	Motor, 240v Da-Lift 15, 19 and 19L . . . . .	1	918.00
9	78096	Motor bracket for Da-Lift 15, 19 and 19L . . . . .	1	13.30
10	92372	Angles and bar for Da-Lift 10M and 15M . . . . .	1	147.00
	78174	Angles and bar for Da-Lift 15 . . . . .	2	149.00
	78175	Angles and bar for Da-Lift 19 . . . . .	2	153.00
	78176	Angles and bar for Da-Lift 19L . . . . .	2	155.00
11		Frame and motor assemblies include #8, 9 and 10		
	92379	Frame and motor assy. for Da-Lift 15M . . . . .	1	738.00
	78171	Frame and motor assy. for Da-Lift 15 (after April, 1998). . . . .	1	1640.00
	78172	Frame and motor assy. for Da-Lift 19 . . . . .	1	1650.00
	78173	Frame and motor assy. for Da-Lift 19L . . . . .	1	1660.00
12	80575	Wall switch, 120v white (not shown) . . . . .	1	70.00
	40961	Wall switch, 120v ivory (not shown). . . . .	1	70.00
	80575E	Wall switch, 240v ivory (not shown). . . . .	1	70.00