



# COSMOPOLITAN® ELECTROL®

Automatic Electric Projection Screen Model  
SPECIFICATION DATA

DA-LITE SCREEN COMPANY, INC.  
3100 North Detroit Street  
Post Office Box 137  
Warsaw, Indiana 46581-0137  
Phone: 574-267-8101  
800-622-3737  
Fax: 574-267-7804  
Toll Free Fax: 877-325-4832  
www.da-lite.com  
e-mail: info@da-lite.com

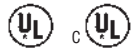
## FOR SIZES UP TO 9' x 12' (FOR LARGER SIZES, REFER TO ADDITIONAL SPECIFICATION DATA SHEET)

**SUGGESTED SPECIFICATIONS:** \_\_\_\_\_ projection screen(s), \_\_\_\_\_ (H) x \_\_\_\_\_ (W), electrically operated 120 volt (60 Hz) not more than 2.4 amp. Shall have specially designed motor mounted inside the roller, to be three wire with ground quick reversal type, oiled for life, with automatic thermal overload cut-out, integral gears, capacitor and an electric brake to prevent coasting. To have pre-set but adjustable limit switches to automatically stop picture surface in the "up" and "down" positions. The roller to be of rigid metal. Screen fabric to be flame retardant and mildew resistant fiberglass with black masking borders standard. Bottom of fabric shall be formed into a pocket holding a metal rod. Case to be powder coated white 21-gauge steel, hexagon in shape with flat back to prevent scraping fabric. Case end caps to be heavy duty, allowing no exposed roller pins. End caps shall form sturdy brackets for wall or ceiling installation. To be complete with three position control switch with cover plate. Screen to be listed by Underwriters' Laboratories.

**Matte White:** Seamless in all standard sizes.

**Video Spectra 1.5 and High Contrast Matte White:** Available in sizes where both dimensions do not exceed 8'.

**High Power®:** Available in sizes up to 9' by 12'. Horizontal seams required when both dimensions exceed 6'.



### VIDEO NTSC (4:3) FORMAT DIMENSIONS (2" standard black drop at top)

Viewing Area		Nominal Diagonal		A - Overall Length of Case		B - Between Hanger Eyes		Approx. Ship. Wt.	
H x W	Cm	In.	Cm	In.	Cm	In.	Cm	Lbs.	Kg
43" x 57"	109 x 145	72"	183	68"	173	66 1/2"	169	37	16.8
50" x 67"	127 x 170	84"	213	78"	198	76 1/2"	194	41	18.6
57" x 77"	145 x 196	96"	244	92"	234	90 1/2"	230	48	21.8
60" x 80"	152 x 203	100"	254	92"	234	90 1/2"	230	48	21.8
69" x 92"	175 x 234	120"	305	104"	264	102 1/2"	260	52	23.6
87" x 116"	221 x 295	150"	381	128"	325	126 1/2"	321	75	34.0
105" x 140"	267 x 356	180"	457	152"	386	150 1/2"	382	92	41.7

### HDTV (16:9) FORMAT DIMENSIONS (2" standard black drop at top)

Viewing Area		Nominal Diagonal		A - Overall Length of Case		B - Between Hanger Eyes		Approx. Ship. Wt.	
H x W	Cm	In.	Cm	In.	Cm	In.	Cm	Lbs.	Kg
45" x 80"	114 x 203	92"	234	92"	234	90 1/2"	230	48	21.8
52" x 92"	132 x 234	106"	269	104"	264	102 1/2"	260	51	23.1
54" x 96"	137 x 244	110"	279	108"	274	106 1/2"	271	53	24.0
58" x 104"	147 x 264	119"	302	116"	295	114 1/2"	291	56	25.4
65" x 116"	165 x 295	133"	338	128"	325	126 1/2"	321	65	29.5
78" x 139"	198 x 353	159"	404	152"	386	150 1/2"	382	85	38.6

### 16:10 WIDE FORMAT DIMENSIONS (2" standard black drop at top)

Viewing Area		Nominal Diagonal		A - Overall Length of Case		B - Between Hanger Eyes		Approx. Ship. Wt.	
H x W	Cm	In.	Cm	In.	Cm	In.	Cm	Lbs.	Kg
50" x 80"	127 x 203	94"	239	92"	234	90 1/2"	230	48	21.8
60" x 96"	152 x 244	113"	287	108"	274	106 1/2"	271	53	24
69" x 110"	175 x 279	130"	330	122"	310	102 1/2"	306	61	27.7
87" x 139"	221 x 353	164"	417	152"	386	150 1/2"	382	85	38.6

### SQUARE FORMAT DIMENSIONS (screens with ^ have 2" standard black drop at top)

Sizes		A - Overall Length of Case		B - Between Hanger Eyes		Approx. Ship. Wt.	
H x W	Cm	In.	Cm	In.	Cm	Lbs.	Kg
50" x 50"	127 x 127	58"	147	56 1/2"	144	33	15.0
60" x 60"	152 x 152	68"	172	66 1/2"	169	38	17.2
70" x 70"	178 x 178	78"	198	76 1/2"	194	41	18.6
84" x 84"	213 x 213	92"	234	90 1/2"	230	49	22.2
6' x 8'^^	183 x 244	104"	264	102 1/2"	260	52	23.6
8' x 8'	244 x 244	104"	264	102 1/2"	260	55	25.0
7' x 9'^^	213 x 274	116"	295	114 1/2"	291	57	25.9
9' x 9'^^	274 x 274	116"	295	114 1/2"	291	62	28.1
8' x 10'^^	244 x 305	128"	325	126 1/2"	321	75	34.0
10' x 10'^^	305 x 305	128"	325	126 1/2"	321	78	35.4
9' x 12'^^	274 x 366	152"	386	150 1/2"	382	92	41.7

Overall case length dimensions ± 1/4".

Detail dimensional drawings, wiring diagrams and installation instructions available upon request.

Specifications subject to change without notice.

Custom formats and sizes available upon request.

**WHEN ORDERING, MARK APPROPRIATE SELECTIONS:**

Select size from charts on the other side.

**Select viewing surface:**

- Matte White   High Contrast Matte White 
- High Power   Video Spectra 1.5 
-  Greenguard® and Greenguard® Children and Schools Certified.

**Optional Accessories:**

- Extra Drop available to lower picture area more than normal. Specify total drop at top \_\_\_\_\_ (black or white) or at bottom \_\_\_\_\_ (black or white). 13' maximum total surface height including picture area.
- No borders (Black masking borders standard).
- Single Motor Low Voltage Control (LVC) - external.
- Single Motor Low Voltage Control (LVC) - built-in.
- Wireless Remote Control for LVC.
  - Radio Frequency Remote
    - Radio Frequency Range Extender available
  - Infrared Remote
- Silent Motor.
- Silent Motor with Integrated LVC.
- Key Locking Cover Plate for 120 V Switch or LVC Switch.
- Key Operated Switch for 120 V only (Note: Cannot be used with LVC).
- 220 Volt (50 Hz) Motor.
- No. 6 Wall Bracket - 6" non-adjustable extension brackets (75# maximum per pair) (black or white).
- Ceiling Trim Kit. Built in LVC recommended.
- Video Projector Interface Control - external.

Project: \_\_\_\_\_

Architect: \_\_\_\_\_

Phone: \_\_\_\_\_

Contractor: \_\_\_\_\_

Phone: \_\_\_\_\_

Supervisor: \_\_\_\_\_

Phone: \_\_\_\_\_

Supplier: \_\_\_\_\_

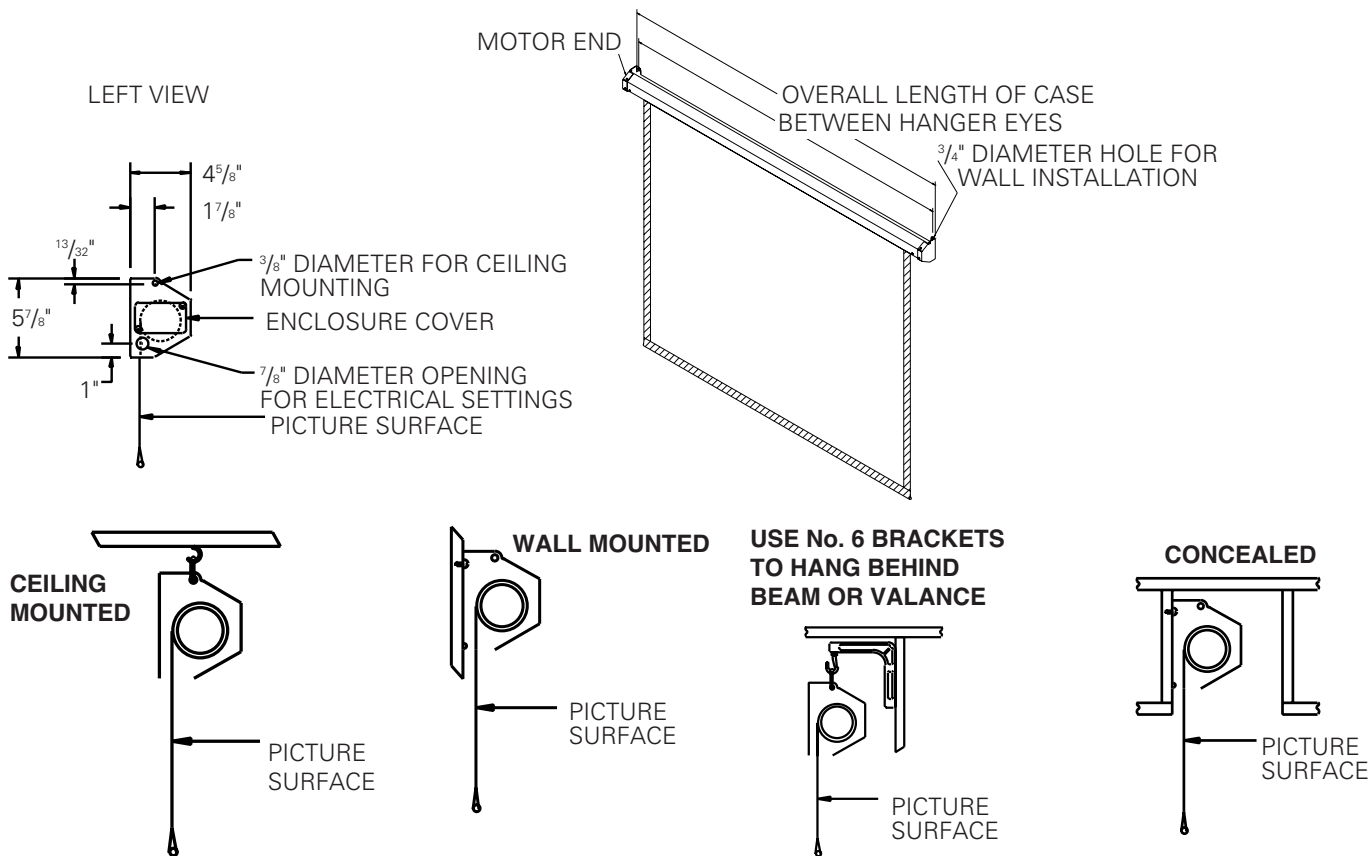
Date: \_\_\_\_\_

Revised: \_\_\_\_\_

- Floating Mounting Bracket. Recommended for drywall installations (black or white).
- Veneer Frame Finish (Choose from seven standard veneers).
  - Light Oak
  - Medium Oak
  - Natural Walnut
  - Heritage Walnut
  - Mahogany
  - Cherry
  - Honey Maple
- External SCB-100 - RS-232 Serial Control Board
  - NET-100 Ethernet-Serial Adapter
- Black case (white standard).

**COSMOPOLITAN® ELECTROL®**

**METHODS OF INSTALLATION**





# TENSIONED COSMOPOLITAN® ELECTROL®

Automatic Electric Projection Screen Model

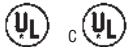
DA-LITE SCREEN COMPANY, INC.  
 3100 North Detroit Street  
 Post Office Box 137  
 Warsaw, Indiana 46581-0137  
 Phone: 574-267-8101  
 800-622-3737  
 Fax: 574-267-7804  
 Toll Free Fax: 877-325-4832  
 www.da-lite.com  
 e-mail: info@da-lite.com

## SPECIFICATION DATA

### FOR SIZES UP TO 10' x 10'

### (FOR LARGER SIZES, REFER TO ADDITIONAL SPECIFICATION DATA SHEET)

**SUGGESTED SPECIFICATIONS:** \_\_\_\_\_ projection screen(s), \_\_\_\_\_ (H) x \_\_\_\_\_ (W), electrically operated 120 volt (60 Hz) not more than 2.4 amp. To have seamless surfaces with black masking borders standard on flame retardant and mildew resistant fabric mounted on rigid metal roller. Each side of the fabric to have tab guide cable system to maintain even lateral tension and hold surface flat. Custom slat bar with added weight maintains vertical tension on the screen surface. The ends of the slat to be protected by heavy duty plastic caps enclosing a preset adjustable mechanism for screen tensioning. Shall have specially designed motor mounted inside the roller, to be three wire with ground, quick reversal type, oiled for life, with automatic thermal overload cutout, integral gears, capacitor and an electric brake to prevent coasting. To have preset but adjustable limit switches to automatically stop picture surface in the "up" and "down" position. Case to be powder coated black 21-gauge steel, hexagon in shape with flat back to prevent scraping fabric. Case end caps to be heavy duty, allowing no exposed roller pins. Caps shall form sturdy brackets for wall or ceiling installation. To be complete with three position control switch with cover plate. Screen to be listed by Underwriters' Laboratories.



All viewing surfaces will be seamless.

All viewing surfaces are standard with black backing except Da-Tex® and Dual Vision.

Audio Vision, High Contrast Audio Vision and High Contrast Cinema Perf available in sizes up to 87" x 116" in Video Format and 78" x 139" in HDTV Format.

#### VIDEO (NTSC 4:3) FORMAT DIMENSIONS

Sizes		Nominal Diagonal		Overall Case Length		Between Hanger Eyes		Approx. Ship Wt.	
In.	Cm	In.	Cm	In.	Cm	In.	Cm	Lbs.	Kg
43" x 57"	109 x 145	72"	183	75"	191	73 1/2"	187	61	27.7
50" x 67"	127 x 170	84"	213	86"	218	84 1/2"	215	67	30.4
60" x 80"	152 x 203	100"	254	100"	254	98 1/2"	250	76	34.5
69" x 92"	175 x 234	120"	305	114"	290	112 1/2"	286	85	38.6
87" x 116"	221 x 295	150"	381	141"	358	139 1/2"	354	104	47.2

#### HDTV (16:9) FORMAT DIMENSIONS

Sizes		Nominal Diagonal		Overall Case Length		Between Hanger Eyes		Approx. Ship Wt.	
In.	Cm	In.	Cm	In.	Cm	In.	Cm	Lbs.	Kg
45" x 80"	114 x 203	92"	234	98 1/2"	250	97"	246	67	30.4
52" x 92"	132 x 234	106"	269	111"	282	109 1/2"	278	74	33.6
54" x 96"	137 x 244	110"	279	115 1/2"	293	114"	290	77	34.9
58" x 104"	147 x 264	119"	302	124"	315	122 1/2"	311	85	38.6
65" x 116"	165 x 295	133"	338	137"	348	135 1/2"	344	104	47.2
78" x 139"	198 x 353	159"	404	162"	411	160 1/2"	408	122	55.3

#### 16:10 WIDE FORMAT DIMENSIONS

Sizes		Nominal Diagonal		Overall Case Length		Between Hanger Eyes		Approx. Ship Wt.	
In.	Cm	In.	Cm	In.	Cm	In.	Cm	Lbs.	Kg
50" x 80"	127 x 203	94"	239	99"	251	97 1/2"	248	67	30.4
60" x 96"	152 x 244	113"	287	116 1/2"	296	115"	292	77	34.9
69" x 110"	175 x 279	130"	330	131 1/2"	334	130"	330	95	43.1
87" x 139"	221 x 353	164"	417	159"	404	157 1/2"	400	122	50.3

#### SQUARE FORMAT DIMENSIONS

Sizes		Overall Case Length		Between Hanger Eyes		Approx. Ship Wt.	
In.	Cm	In.	Cm	In.	Cm	Lbs.	Kg
50" x 50"	127 x 127	69"	175	67 1/2"	172	56	25.4
60" x 60"	152 x 152	80"	203	78 1/2"	199	63	28.6
70" x 70"	178 x 178	91 1/2"	232	90"	229	70	31.8
84" x 84"	213 x 213	108"	274	106 1/2"	271	78	35.3
6' x 8'	183 x 244	118"	300	116 1/2"	296	85	38.6
8' x 8'	244 x 244	121 1/2"	309	120"	305	87	39.5
7' x 9'	213 x 274	132"	335	130 1/2"	332	89	40.4
9' x 9'	274 x 274	130 1/2"	331	129"	328	92	41.7
8' x 10'	244 x 305	145 1/2"	370	144"	366	104	47.2
10' x 10'	305 x 305	142 1/2"	362	141"	358	112	50.8

Extra drop may alter dimensions. Contact Da-Lite for details.  
 Overall case length dimensions ±1/4".  
 Specifications subject to change without notice.

All screens standard with 12" black drop at the top.  
 Custom formats and sizes available upon request.

**WHEN ORDERING, MARK APPROPRIATE SELECTIONS:**

Select size from charts on the other side.

**Select viewing surface:**

- Da-Mat®
- Cinema Vision
- Da-Tex® (Rear)
- High Contrast Da-Mat®
- High Contrast Audio Vision
- Pearlescent
- Audio Vision
- Dual Vision
- High Contrast Cinema Vision
- High Contrast Cinema Perf

**Options:**

- Single Motor Low Voltage Control (LVC) - external.
- Single Motor Low Voltage Control (LVC) - built-in.
- Wireless Remote Control for LVC.
  - Radio Frequency Remote.
    - Radio Frequency Range Extender available
  - Infrared Remote.
- Silent Motor.
- Silent Motor with Integrated LVC.
- Key Locking Cover Plate for 120V or LVC Switch.
- Key Operated Switch for 120V only (NOTE: Cannot be used with LVC).
- 220 Volt (50 Hz) Motor.
- Video Projector Interface Control - external.
- Floating Mounting Bracket (black or white). Recommended for drywall installations.
- No. 6 Wall Bracket - 6" extension, non-adjustable (75# maximum per pair) (black or white).
- Ceiling Trim Kit. Built in LVC recommended.

Project: \_\_\_\_\_

Architect: \_\_\_\_\_

Phone: \_\_\_\_\_

Contractor: \_\_\_\_\_

Phone: \_\_\_\_\_

Supervisor: \_\_\_\_\_

Phone: \_\_\_\_\_

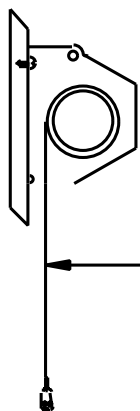
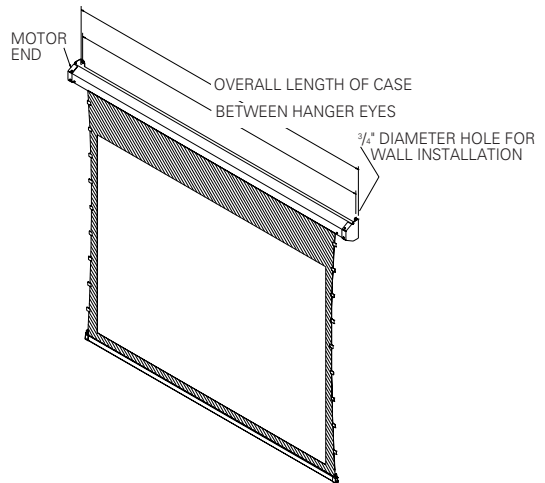
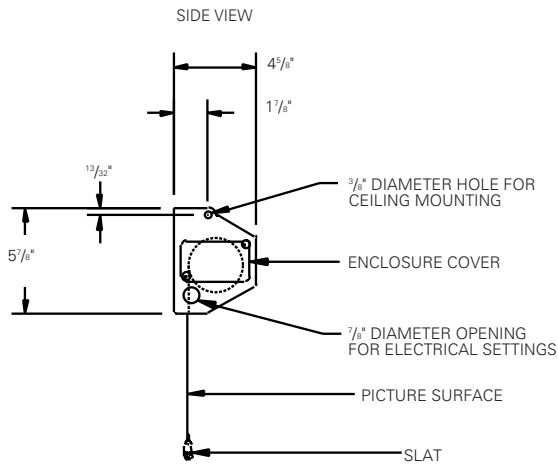
Date: \_\_\_\_\_

Revised: \_\_\_\_\_

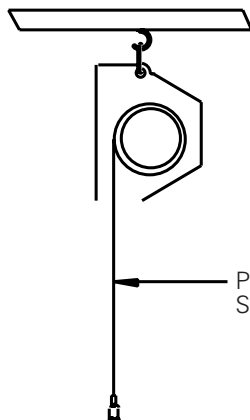
- External SCB-100 - RS-232 Serial Control Board
  - NET-100 Ethernet-Serial Adapter
- White case (black standard).
- Veneer Frame Finish (Choose from seven standard veneers).
  - Light Oak
  - Medium Oak
  - Natural Walnut
  - Heritage Walnut
  - Mahogany
  - Cherry
  - Honey Maple

**TENSIONED COSMOPOLITAN® ELECTROL®**

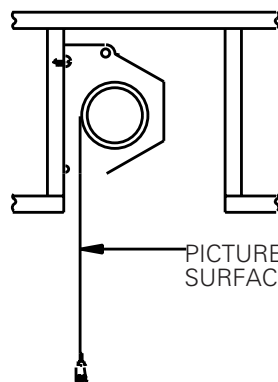
**SUGGESTED METHODS OF INSTALLATION**



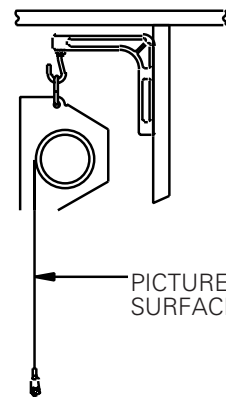
**WALL MOUNTED**



**CEILING MOUNTED**



**CONCEALED**



**USE No. 6 BRACKETS TO HANG BEHIND BEAM OR VALANCE**



**COSMOPOLITAN® ELECTROL®**  
Automatic Electric Projection Screen Model  
**SPECIFICATION DATA**

**DA-LITE SCREEN COMPANY, INC.**  
3100 North Detroit Street  
Post Office Box 137  
Warsaw, Indiana 46581-0137  
Phone: 574-267-8101  
800-622-3737  
Fax: 574-267-7804  
Toll Free Fax: 877-325-4832  
www.da-lite.com  
e-mail: info@da-lite.com

**12' x 12', 200" DIAGONAL (120" x 160") AND LARGER SIZES  
(FOR SMALLER SIZES, REFER TO ADDITIONAL  
SPECIFICATION DATA SHEET)**

**SUGGESTED SPECIFICATIONS:** \_\_\_\_\_ projection screen(s), \_\_\_\_\_ (H) x \_\_\_\_\_ (W), electrically operated 120 volt (60 Hz) not more than 2.4 amp. Shall have specially designed motor mounted inside the roller to be three wire with ground quick reversal type, oiled for life, with automatic thermal overload cut-out, integral gears, capacitor and an electric brake to prevent coasting. To have pre-set but adjustable limit switches to automatically stop picture surface in the "up" and "down" positions. The roller to be of aluminum. Screen fabric to be flame retardant and mildew resistant fiberglass with black masking borders standard. Bottom of fabric shall be formed into a pocket holding a metal rod. Case to be a two-piece design made of extruded aluminum with a white, lightly textured powder coat finish. End caps to be plastic with integrated junction box. To be complete with three position control switch with cover plate. Screen to be listed by Underwriters' Laboratories.

**Matte White:** Seamless in all standard sizes.



**VIDEO (NTSC 4:3) FORMAT DIMENSIONS (2" standard black drop at top)**

Viewing Area		Nominal Diagonal		Overall Length of Case		Approx. Ship. Wt.	
H x W	Cm	In.	Cm	In.	Cm	Lbs.	Kg
120" x 160"	305 x 406	200"	508	173 1/2"	441	210	95.3
123" x 164"	312 x 417	210"	533	177 1/2"	451	225	102.1
141" x 188"	358 x 478	240"	610	201 1/2"	512	254	115.2

**HDTV (16:9) FORMAT DIMENSIONS (2" standard black drop at top)**

Viewing Area		Nominal Diagonal		Overall Length of Case		Approx. Ship. Wt.	
H x W	Cm	In.	Cm	In.	Cm	Lbs.	Kg
92" x 164"	234 x 417	188"	478	177 1/2"	451	215	97.5
106" x 188"	269 x 478	216"	549	201 1/2"	512	241	109.3

**SQUARE FORMAT DIMENSIONS**

Sizes		Overall Length of Case		Approx. Ship. Wt.	
H x W	Cm	In.	Cm	Lbs.	Kg
12' x 12'	366 x 366	153 1/2"	390	194	88.0
14' x 14'	427 x 427	177 1/2"	451	229	103.9
16' x 16'	488 x 488	201 1/2"	512	263	119.3

Overall case length dimensions ± 1/4".

Detail dimensional drawings, wiring diagrams and installation instructions available upon request.

Specifications subject to change without notice.

Custom formats and sizes available upon request.

**WHEN ORDERING, MARK APPROPRIATE SELECTIONS:**

Select size from charts on the other side.

**Select viewing surface:**

- Matte White
- Greenguard® and Greenguard® Children and Schools Certified.

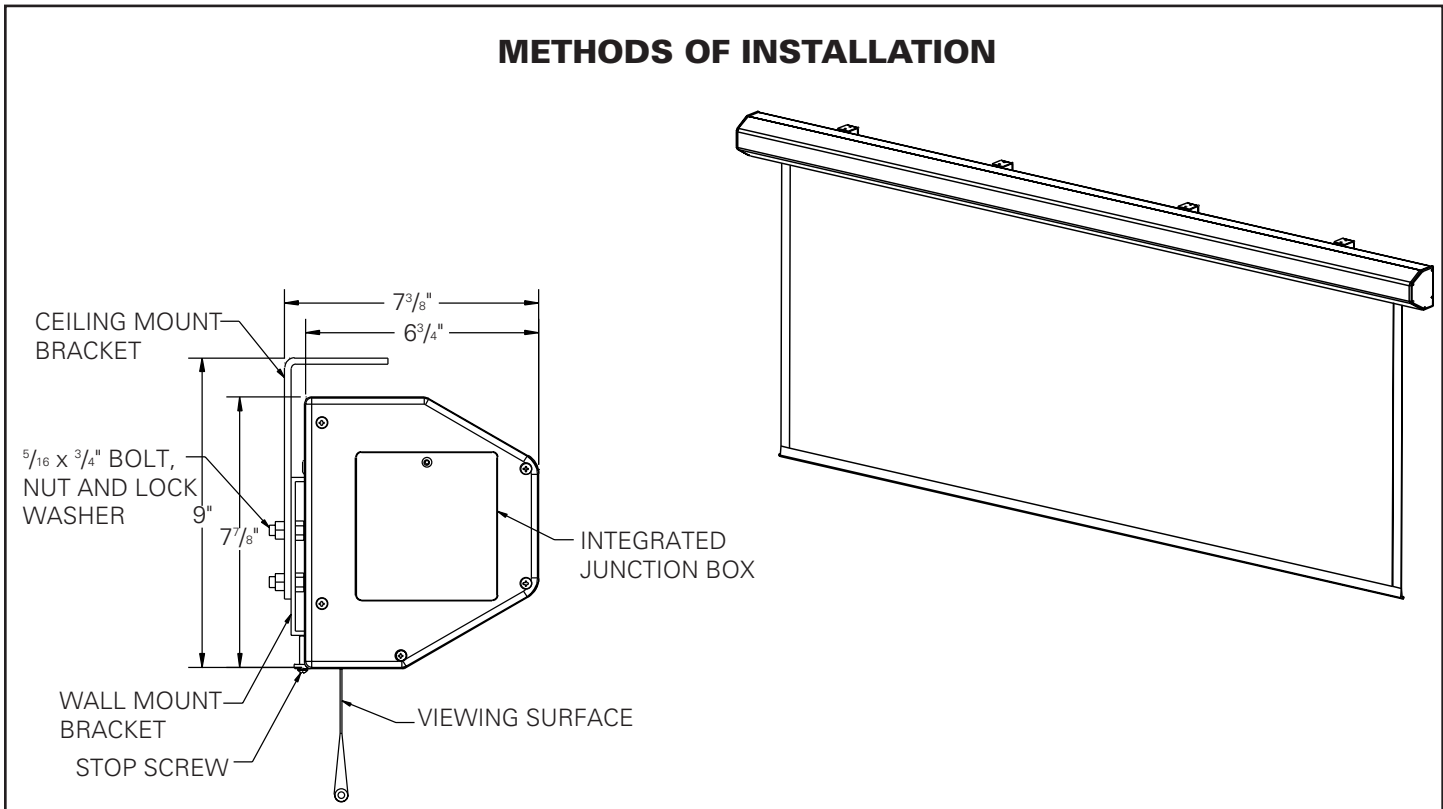
**Optional Accessories:**

- Extra Drop available to lower picture area more than normal. Specify total drop at top \_\_\_\_ (black or white) or at bottom \_\_\_\_ (black or white). 16' maximum total surface height including picture area.
- No borders (Black masking borders standard).
- Single Motor Low Voltage Control System (LVC) - external.
- Single Motor Low Voltage Control System (LVC) - built-in.
- Wireless Remote Control for LVC.
  - Radio Frequency Remote
    - Radio Frequency Range Extender available
  - Infrared Remote
- Key Locking Cover Plate for 120 V Switch or LVC Switch.
- Key Operated Switch for 120 V only (Note: Cannot be used with LVC).
- 220 Volt (50 Hz) Motor.
- Video Projector Interface Control - external.
- External SCB-100 - RS-232 Serial Control Board
  - NET-100 Ethernet-Serial Adapter
- Black case (white standard).

Project:	_____
Architect:	_____
Phone:	_____
Contractor:	_____
Phone:	_____
Supervisor:	_____
Phone:	_____
Supplier:	_____
Date:	_____
Revised:	_____

**COSMOPOLITAN® ELECTROL®**

**METHODS OF INSTALLATION**





# TENSIONED COSMOPOLITAN® ELECTROL®

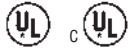
Automatic Electric Projection Screen Model

## SPECIFICATION DATA

DA-LITE SCREEN COMPANY, INC.  
3100 North Detroit Street  
Post Office Box 137  
Warsaw, Indiana 46581-0137  
Phone: 574-267-8101  
800-622-3737  
Fax: 574-267-7804  
Toll Free Fax: 877-325-4832  
www.da-lite.com  
e-mail: info@da-lite.com

## 9' x 12', 180" DIAGONAL AND LARGER SIZES (FOR SMALLER SIZES, REFER TO ADDITIONAL SPECIFICATION DATA SHEET)

**SUGGESTED SPECIFICATIONS:** \_\_\_\_\_ projection screen(s), \_\_\_\_\_ (H) x \_\_\_\_\_ (W), electrically operated 120 volt (60Hz) not more than 2.4 amp. Shall have specially designed motor mounted inside the roller, to be three wire with ground quick reversal type, oiled for life, with automatic thermal overload cut-out, integral gears, capacitor and an electric brake to prevent coasting. To have pre-set but adjustable limit switches to automatically stop picture surface in the "up" and "down" positions. The roller to be of aluminum. Screen fabric to be flame retardant and mildew resistant vinyl with black masking borders standard. Each side of fabric to have a tab guide cable system to maintain even lateral tension and hold surface flat. Bottom of fabric to be inserted into a custom aluminum slat bar with added weight to provide vertical tension on the screen surface. The ends of the slat to be protected by heavy duty plastic caps enclosing a preset adjustable mechanism for screen tensioning. Case to be a two-piece design made of extruded aluminum with a black, lightly textured powder coat finish. Screen to include a three-position control switch and cover plate. Screen to be listed by Underwriters' Laboratories.



All viewing surfaces will be seamless.

All viewing surfaces are standard with black backing except for Da-Tex® and Dual Vision.

### VIDEO (NTSC 4:3) FORMAT DIMENSIONS

Viewing Area		Nominal Diagonal		Overall Length of Case		Approx. Ship. Wt.	
H x W	Cm	In.	Cm	In.	Cm	Lbs.	Kg
108" x 144"	274 x 366	180"	457	167 1/2"	425	205	92.9
120" x 160"	305 x 406	200"	508	185"	470	240	108.9
126" x 168"	320 x 427	210"	533	194"	493	250	113.4
132" x 176"	335 x 447	220"	559	203"	516	260	117.9
144" x 192"	366 x 488	240"	610	220 1/2"	560	309	140.2

### HDTV (16:9) FORMAT DIMENSIONS

Viewing Area		Nominal Diagonal		Overall Length of Case		Approx. Ship. Wt.	
H x W	Cm	In.	Cm	In.	Cm	Lbs.	Kg
92" x 164"	234 x 417	188"	478	186"	472	240	108.9
108" x 192"	274 x 488	220"	559	215 1/2"	547	305	138.3

### SQUARE FORMAT DIMENSIONS

Sizes		Overall Length of Case		Approx. Ship. Wt.	
H x W	Cm	In.	Cm	Lbs.	Kg
9' x 12'	274 x 366	167 1/2"	425	205	92.9
12' x 12'	366 x 366	172 1/2"	438	220	99.8
10'6" x 14'	320 x 427	194"	493	250	113.4
14' x 14'	427 x 427	201"	511	280	127.0
12' x 16'	366 x 488	220 1/2"	560	309	140.2

All screens standard with 12" black drop at the top.

Extra drop may alter case dimensions. Contact Da-Lite for details.

Overall case length dimensions  $\pm 1/4"$ .

Detail dimensional drawings, wiring diagrams and installation instructions available upon request.

Specifications subject to change without notice.

Custom formats and sizes available upon request.

**WHEN ORDERING, MARK APPROPRIATE SELECTIONS:**

**Select size from charts on the other side.**

**Select viewing surface:**

- Da-Mat®
- High Contrast Da-Mat®
- Cinema Vision
- High Contrast Cinema Vision
- Pearlescent
- Da-Tex® (Rear)
- Dual Vision

**Options:**

- Single Motor Low Voltage Control System (LVC) - external.
- Single Motor Low Voltage Control System (LVC) - built-in.
- Wireless Remote Control for LVC.
  - Radio Frequency Remote.
    - Radio Frequency Range Extender available
  - Infrared Remote.
- Key Locking Cover Plate for 120V or LVC Switch.
- Key Operated Switch for 120V only (NOTE: Cannot be used with LVC).
- 220 Volt (50 Hz) Motor.
- Video Projector Interface Control - external.
- External SCB-100 - RS-232 Serial Control Board.
  - NET-100 Ethernet-Serial Adapter.
- White case (black standard).

Project:	_____
Architect:	_____
Phone:	_____
Contractor:	_____
Phone:	_____
Supervisor:	_____
Phone:	_____
Supplier:	_____
Date:	_____
Revised:	_____

**TENSIONED COSMOPOLITAN® ELECTROL®**

**METHODS OF INSTALLATION**

