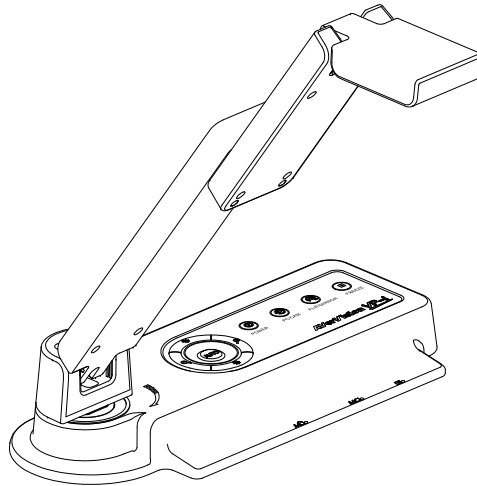


AVerMedia® AVerVision VP-1

User Manual



AVerMedia®
Interactive Visualizer

AVerMedia



P/N 300AP0G1-C3R
Made in Taiwan

FCC NOTICE (Class A)



This device complies with Part 15 of the FCC Rules. Operation is subject to the following two conditions: (1) this device may not cause harmful interference, and (2) this device must accept any interference received, including interference that may cause undesired operation.

Federal Communications Commission Statement

NOTE- This equipment has been tested and found to comply with the limits for a Class A digital device, pursuant to Part 15 of the FCC Rules. These limits are designed to provide reasonable protection against harmful interference in a residential installation. This equipment generates uses and can radiate radio frequency energy and, if not installed and used in accordance with the instructions, may cause harmful interference to radio communications. However, there is no guarantee that interference will not occur in a particular installation. If this equipment does cause harmful interference to radio or television reception, which can be determined by tuning the equipment off and on, the user is encouraged to try to correct the interference by one or more of the following measures:

- Reorient or relocate the receiving antenna.
- Increase the separation between the equipment and receiver.
- Connect the equipment into an outlet on a circuit different from that to which the receiver is connected.
- Consult the dealer or an experienced radio/television technician for help.

Class A ITE:

Class A ITE is a category of all other ITE which satisfies the class A ITE limits but not the class B ITE limits. Such equipment should not be restricted in its sale but the following warning shall be included in the instructions for use:

Warning - This is a class A product. In a domestic environment this product may cause radio interference in which case the user may be required to take adequate measures.

CE Class A (EMC)



This product is herewith confirmed to comply with the requirements set out in the Council Directives on the Approximation of the laws of the Member States relating to Electromagnetic Compatibility Directive 2004/108/EEC.

Warning - This is a Class A product. In a domestic environment this product may cause radio interference in which case the user may be required to take adequate measures to correct this interference.

DISCLAIMER

No warranty or representation, either expressed or implied, is made with respect to the contents of this documentation, its quality, performance, merchantability, or fitness for a particular purpose. Information presented in this documentation has been carefully checked for reliability; however, no responsibility is assumed for inaccuracies. The information contained in this documentation is subject to change without notice.

In no event will AVerMedia be liable for direct, indirect, special, incidental, or consequential damages arising out of the use or inability to use this product or documentation, even if advised of the possibility of such damages.

TRADEMARKS

AVerVision is registered trademarks of AVerMedia Information, Inc. IBM PC is a registered trademark of International Business Machines Corporation. Macintosh is a registered trademark of Apple Computer, Inc. Microsoft is a registered trademark and Windows is a trademark of Microsoft Corporation. All other products or corporate names mentioned in this documentation are for identification and explanation purposes only, and may be trademarks or registered trademarks of their respective owners.

COPYRIGHT

© 2008 by AVerMedia INFORMATION, Inc. All rights reserved. No part of this publication may be reproduced, transmitted, transcribed, stored in a retrieval system, or translated into any language in any form by any means without the written permission of AVerMedia Information, Inc.



THE MARK OF CROSSED-OUT WHEELED BIN INDICATES THAT THIS PRODUCT MUST NOT BE DISPOSED OF WITH YOUR OTHER HOUSEHOLD WASTE. INSTEAD, YOU NEED TO DISPOSE OF THE WASTE EQUIPMENT BY HANDING IT OVER TO A DESIGNATED COLLECTION POINT FOR THE RECYCLING OF WASTE ELECTRICAL AND ELECTRONIC EQUIPMENT. FOR MORE INFORMATION ABOUT WHERE TO DROP OFF YOUR WASTE EQUIPMENT FOR RECYCLING, PLEASE CONTACT YOUR HOUSEHOLD WASTE DISPOSAL SERVICE OR THE SHOP WHERE YOU PURCHASED THE PRODUCT.

Table of Contents

| | |
|--|-----------|
| Introduction | 1 |
| Package Contents | 1 |
| Optional Accessories | 1 |
| AVerVision VP-1 Parts..... | 2 |
| Technical Specifications | 3 |
| Making the Connections | 4 |
| Connecting the Power Adapter | 5 |
| Connecting a TV | 5 |
| Connecting a RGB, Mac Display Monitor or LCD/DLP Projector | 6 |
| Connecting an IBM Compatible PC or Macintosh Computer | 6 |
| Connecting to a Microscope..... | 7 |
| Setting Up AVerVision VP-1..... | 7 |
| Unfolding the Unit | 7 |
| Operating Height & Angle..... | 8 |
| Paper Guide..... | 8 |
| Touch Button Control Panel..... | 9 |
| Control Panel Light Color | 10 |
| Troubleshooting | 10 |
| Limited Warranty | 11 |

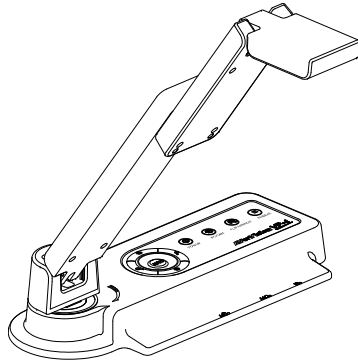
Introduction

Thank you for purchasing the AVerMedia® AVerVision VP-1. This document camera displays documents, transparencies and 3D objects onto a TV, LCD or DLP projector making presentations a snap.

AVerVision VP-1 is an ideal presentation tool for business, academic, medical and the scientific community.

AVerMedia

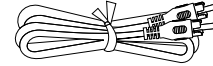
Package Contents



AVerMedia® AVerVision VP-1



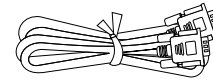
User Manual



RCA Cable



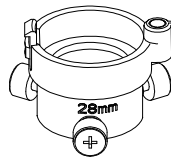
Power Adapter



RGB Cable (VGA Cable)

* The power adapter will vary depending on the country where it is sold.

Optional Accessories



28mm Microscope Adapter

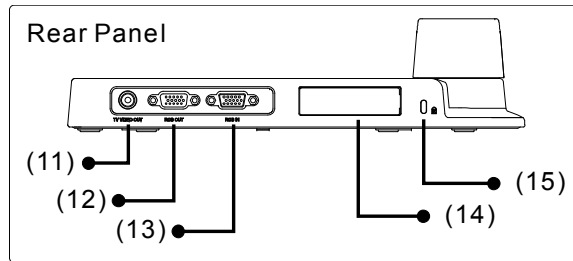
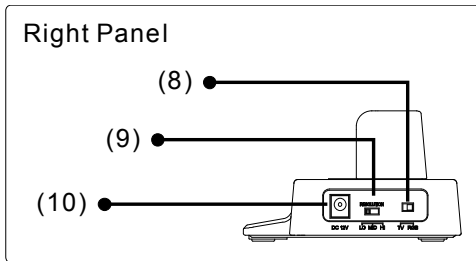
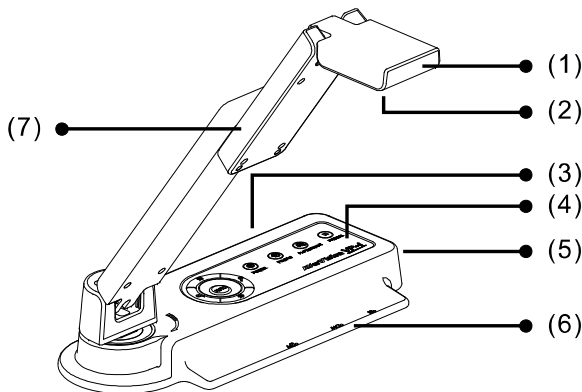


Bag

AVerVision VP-1 Parts

The illustrations below identify the parts of AVerVision VP-1.

- (1) Camera head
- (2) Camera lens
- (3) Rear panel
- (4) Control panel
- (5) Right panel
- (6) Paper guide
- (7) Arm
- (8) TV-RGB switch
- (9) Resolution switch
- (10) DC 12V port
- (11) Composite video output port
- (12) RGB output port
- (13) RGB input port
- (14) Label slot
- (15) Antitheft slot



Technical Specifications

Image

| | |
|-------------------|-----------------------------------|
| Sensor | 1/4" CMOS color image sensor |
| Total Pixels | 2 Mega Pixels |
| Frame Rate | 15 fps (max.) |
| Analog RGB output | 800 x 600; 1024 x 768; 1280 x 960 |

Optics

| | |
|---------------|----------------------|
| Lens | F 2.8; fl=3.41mm |
| Focusing | Auto |
| Shooting Area | 340mm x 255mm (max.) |
| Zooming | Digital Zoom: 8X |

Power

| | |
|--------------|-------------------|
| Power Source | 100-240V, 50-60Hz |
| Consumption | 7.8 Watts |

Input/Output

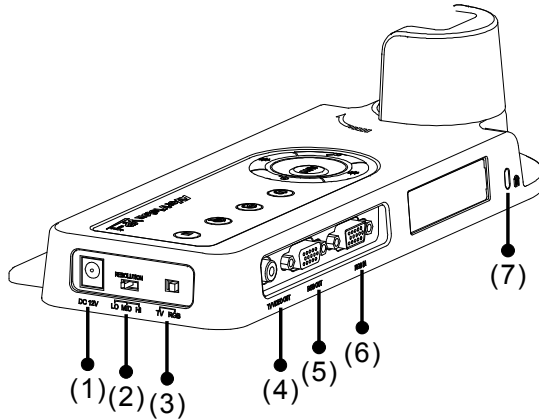
| | |
|-----------------|---------------------|
| RGB Input | 15-Pins D-sub (VGA) |
| RGB Output | 15-Pins D-sub (VGA) |
| Composite Video | RCA Jack |
| DC 12V Input | Power Jack |

Dimension

| | |
|-----------|------------------------|
| Operating | 275mm x 114mm x 360mm |
| Folded | 275mm x 114mm x 70mm |
| Weight | 1.2 kg (about 2.64 lb) |

Making the Connections

The ports on the rear, and right panel of VP-1 enable you to connect the unit to a computer, graphics display monitor or LCD/DLP projector, TV or other device. Illustrated below are the ports and switches that are located at the rear, and right panel of VP-1 with their corresponding labels.

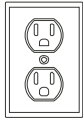


| Port | Description |
|----------------------------------|--|
| (1) DC 12V | Connect the power adapter into this port. |
| (2) Resolution Switch | Switch the RGB output resolution to 800x600 (LO), 1024x768 (MID) and 1280x960 (HI). |
| (3) TV-RGB Switch | Switch to output display video either from TV VIDEO OUT, or RGB OUT port. |
| (4) TV VIDEO OUT (RCA/Composite) | Output the signal from the camera on TV or Video equipment. |
| (5) RGB OUT | Output the signal from the camera, or RGB IN port on a VGA/Mac monitor or LCD/DLP projector. |
| (6) RGB IN | Input the signal from a computer or other sources and pass it through to the RGB OUT port only. Connect this port to the VGA output port of the computer. |
| (7) Antitheft Slot | Attach a Kensington compatible security lock or antitheft device. |

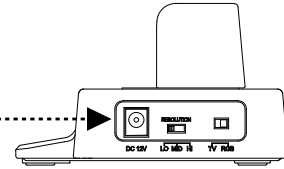
Connecting the Power Adapter

Connect the power adapter to a standard 100V~240V AC power source.

Wall outlet

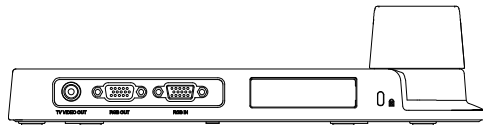


Power adapter

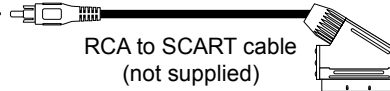


Connecting a TV

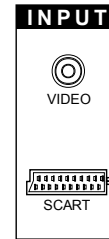
Locate the VIDEO, or SCART input port of the TV or Video equipment (i.e., VCR) to record your presentation on a videotape and connect it to TV VIDEO OUT port of VP-1. If you are not sure, please refer to the user manual of the TV or Video equipment. Make sure the TV/RGB switch is set to TV.



RCA cable



RCA to SCART cable
(not supplied)



Projector



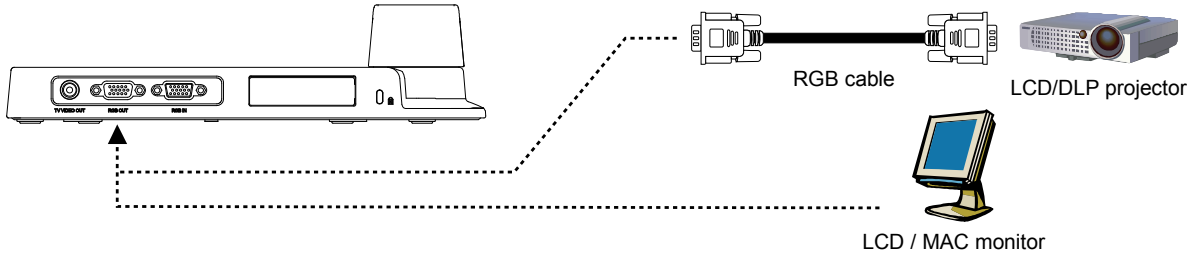
Television



VCR

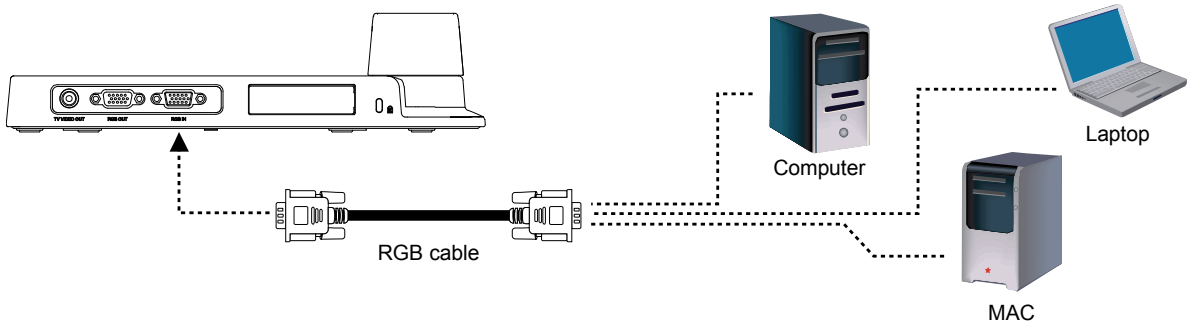
Connecting a RGB, Mac Display Monitor or LCD/DLP Projector

Locate the RGB input port of the display device and connect it to RGB OUT port of VP-1. If you are not sure, please refer to the user manual of the device. Make sure the TV/RGB switch is set to RGB.



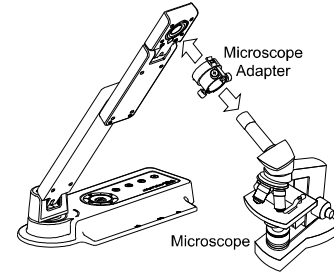
Connecting an IBM Compatible PC or Macintosh Computer

Locate the VGA output port of the computer or laptop to display your PC presentation on screen and connect it to RGB INPUT port of VP-1. The video signal from the RGB IN port is streamed to RGB OUT port and displayed on the screen.



Connecting to a Microscope

Connecting the VP-1 to a microscope enables you to examine microscopic objects on a big screen without straining your eyes.

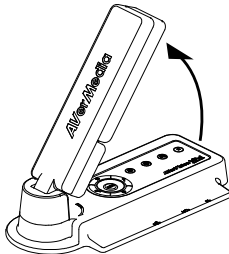


Setting Up AVerVision VP-1

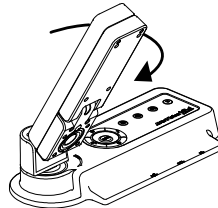
This section provides useful tips on how to setup the VP-1 to meet your needs.

Unfolding the Unit

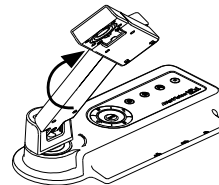
Follow the step by step procedure below to setup the unit.



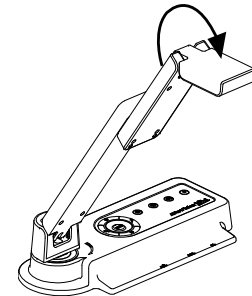
(1) Unfold the arm.



(2) Turn 90° to the left.



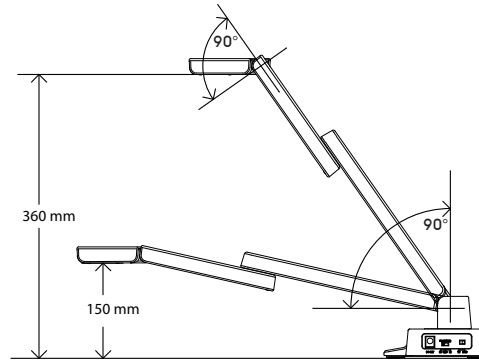
(3) Swivel up to the left.



(4) Fold the camera down.

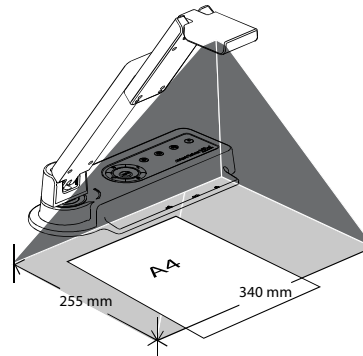
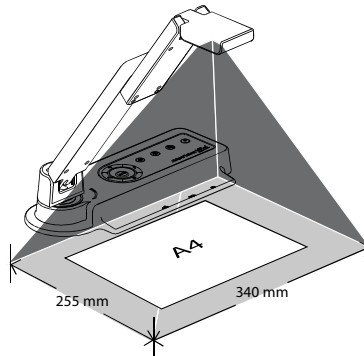
Operating Height & Angle

The approximate height of the arm should be 360mm and angled at 55° to display a A4 size landscape document.



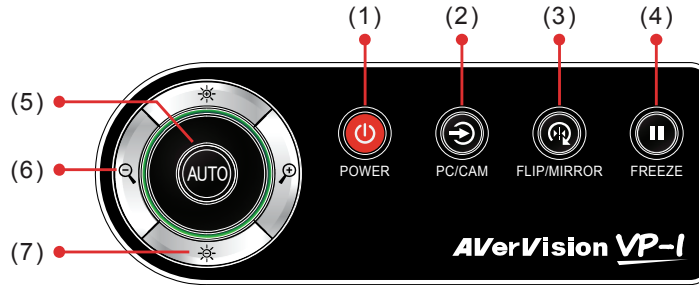
Paper Guide

The A4 paper marks serve as a guide for placing the A4 document under the camera. The approximate shooting area of VP-1 is 340mm x 255mm.



Touch Button Control Panel

The touch button control panel located on the top side of the VP-1 provides quick access to commonly used functions.



| Function | Description |
|-----------------|--|
| (1) POWER | Turn the unit on/standby. To turn off, press hold POWER button for 5 sec. |
| (2) PC/CAM | Switch between Camera and PC mode. <ul style="list-style-type: none"> - Camera mode displays the video signal from the built-in camera. - PC mode displays the video signal from the RGB IN port of VP-1. |
| (3) FLIP/MIRROR | Flip the image vertically, horizontally, rotate by 180°, and then return to normal view in camera mode only. |
| (4) FREEZE | Toggle to pause or resume the camera. |
| (5) AUTO | Automatically adjust the focus and set the white balance. |
| (6) Zoom | Digitally zoom in and zoom out the picture up to 800%. |
| (7) Gain | Make image brighter or darker. |

Control Panel Light Color

The LED on the control panel of VP-1 indicates the status of the unit.

| Status Output | Power Up | Power On | Freeze | Standby | PC Mode |
|------------------|-------------|----------|----------------|---------|---------|
| TV | Red (Flash) | Orange | Orange (Flash) | Red | N/A |
| RGB | Red (Flash) | Green | Green (Flash) | Red | Red |

Troubleshooting

This section provides many useful tips on how to solve common problems while using the VP-1.

There is no picture on the presentation screen.



1. Check all the connectors again as shown in this manual.
2. Check the on/off switch of the display output device.
3. Verify the setting of the display output device.
4. If you are presenting from a notebook or computer through the display output device, make sure the visualizer is in PC Mode. For notebook, repeatedly press FN+F5 to toggles between monitors and display the computer image on the presentation screen.

I have set up the VP-1 and checked all the connections as specified in the manual but I cannot get a picture on the preferred presentation screen.

1. Check the LED light status. Red means the unit is in standby mode. Press the POWER button to turn the unit on and the LED light will turn green (RGB output) or orange (TV output).
2. Check the output resolution switch setting. The resolution switch is set to 1024x768 (M) by default. If your output device does not support this resolution, please change the resolution switch to the supported resolution of your display device.
3. If your display output device is TV or any analog device, please set the TV-RGB switch to TV.

The picture on the presentation screen is distorted or the image is blurry.

1. If you discover that the image is blurry or out of focus, just press AUTO to automatically adjust the focus and white balance.

2. If the presentation screen is a bit dim or too bright, use the Gain up  and down  button on the control panel to adjust the visibility of the image.

Limited Warranty

For a period of time beginning on the date of purchase of the applicable product and extending as set forth in the “**Warranty Period of AVerMedia Product Purchased**” section below, AVerMedia Information, Inc. (“AVerMedia”) warrants that the applicable product (“Product”) substantially conforms to AVerMedia’s documentation for the product and that its manufacture and components are free of defects in material and workmanship under normal use. “You” as used in this agreement means you individually or the business entity on whose behalf you use or install the product, as applicable. This limited warranty extends only to You as the original purchaser. Except for the foregoing, the Product is provided “AS IS.” In no event does AVerMedia warrant that You will be able to operate the Product without problems or interruptions, or that the Product is suitable for your purposes. Your exclusive remedy and the entire liability of AVerMedia under this paragraph shall be, at AVerMedia’s option, the repair or replacement of the Product with the same or a comparable product. This warranty does not apply to (a) any Product on which the serial number has been defaced, modified, or removed, or (b) cartons, cases, batteries, cabinets, tapes, or accessories used with this product. This warranty does not apply to any Product that has suffered damage, deterioration or malfunction due to (a) accident, abuse, misuse, neglect, fire, water, lightning, or other acts of nature, commercial or industrial use, unauthorized product modification or failure to follow instructions included with the Product, (b) misapplication of service by someone other than the manufacturer’s representative, (c) any shipment damages (such claims must be made with the carrier), or (d) any other causes that do not relate to a Product defect. The Warranty Period of any repaired or replaced Product shall be the longer of (a) the original Warranty Period or (b) thirty (30) days from the date of delivery of the repaired or replaced product.

Limitations of Warranty

AVerMedia makes no warranties to any third party. You are responsible for all claims, damages, settlements, expenses, and attorneys’ fees with respect to claims made against You as a result of Your use or misuse of the Product. This warranty applies only if the Product is installed, operated, maintained, and used in accordance with AVerMedia specifications. Specifically, the warranties do not extend to any failure caused by (i) accident, unusual physical, electrical, or electromagnetic stress, neglect or misuse, (ii) fluctuations in electrical power beyond AVerMedia specifications, (iii) use of the Product with any accessories or options not furnished by AVerMedia or its authorized agents, or (iv) installation, alteration, or repair of the Product by anyone other than AVerMedia or its authorized agents.

Disclaimer of Warranty

EXCEPT AS EXPRESSLY PROVIDED OTHERWISE HEREIN AND TO THE MAXIMUM EXTENT PERMITTED BY APPLICABLE LAW, AVERMEDIA DISCLAIMS ALL OTHER WARRANTIES WITH RESPECT TO THE PRODUCT, WHETHER EXPRESS, IMPLIED, STATUTORY OR OTHERWISE, INCLUDING WITHOUT LIMITATION, SATISFACTORY QUALITY, COURSE OF DEALING, TRADE USAGE OR PRACTICE OR THE IMPLIED WARRANTIES OF MERCHANTABILITY, FITNESS FOR A

PARTICULAR PURPOSE OR NONINFRINGEMENT OF THIRD PARTY RIGHTS.

Limitation of Liability

IN NO EVENT SHALL AVERMEDIA BE LIABLE FOR INDIRECT, INCIDENTAL, SPECIAL, EXEMPLARY, PUNITIVE, OR CONSEQUENTIAL DAMAGES OF ANY NATURE INCLUDING, BUT NOT LIMITED TO, LOSS OF PROFITS, DATA, REVENUE, PRODUCTION, OR USE, BUSINESS INTERRUPTION, OR PROCUREMENT OF SUBSTITUTE GOODS OR SERVICES ARISING OUT OF OR IN CONNECTION WITH THIS LIMITED WARRANTY, OR THE USE OR PERFORMANCE OF ANY PRODUCT, WHETHER BASED ON CONTRACT OR TORT, INCLUDING NEGLIGENCE, OR ANY OTHER LEGAL THEORY, EVEN IF AVERMEDIA HAS ADVISED OF THE POSSIBILITY OF SUCH DAMAGES. AVERMEDIA'S TOTAL, AGGREGATE LIABILITY FOR DAMAGES OF ANY NATURE, REGARDLESS OF FORM OF ACTION, SHALL IN NO EVENT EXCEED THE AMOUNT PAID BY YOU TO AVERMEDIA FOR THE SPECIFIC PRODUCT UPON WHICH LIABILITY IS BASED.

Governing Law and Your Rights

This warranty gives You specific legal rights; You may also have other rights granted under state law. These rights vary from state to state.



For warranty period, please refer to the warranty card.
