

Lutron®

Tensioned shades

NEW



Sivoia QED®

Sivoia® QS

Sivoia® QS Wireless

The new tensioned shades from Lutron® combine electronic drive technology with a new tension system. Fabric is kept taut and parallel to skylights and angled windows regardless of slope.

Aesthetics

- Product fascia eliminates gaps around fabric
- Concealed cable guides maximize view when open
- Wide variety of high performance fabrics

Design

- Unique tension-absorbing frame eliminates stress on the surrounding structure
- Reliable performance under extreme temperatures

Now, defy gravity and control daylight through skylight and angled window applications to reduce glare and save energy by reducing heat gain.

Control

- Smooth, quiet, precise movement of shades for skylight and angled windows
- One-touch control through keypad, IR, or RF remote
- Seamless integration with other Lutron products and lighting controls

Installation

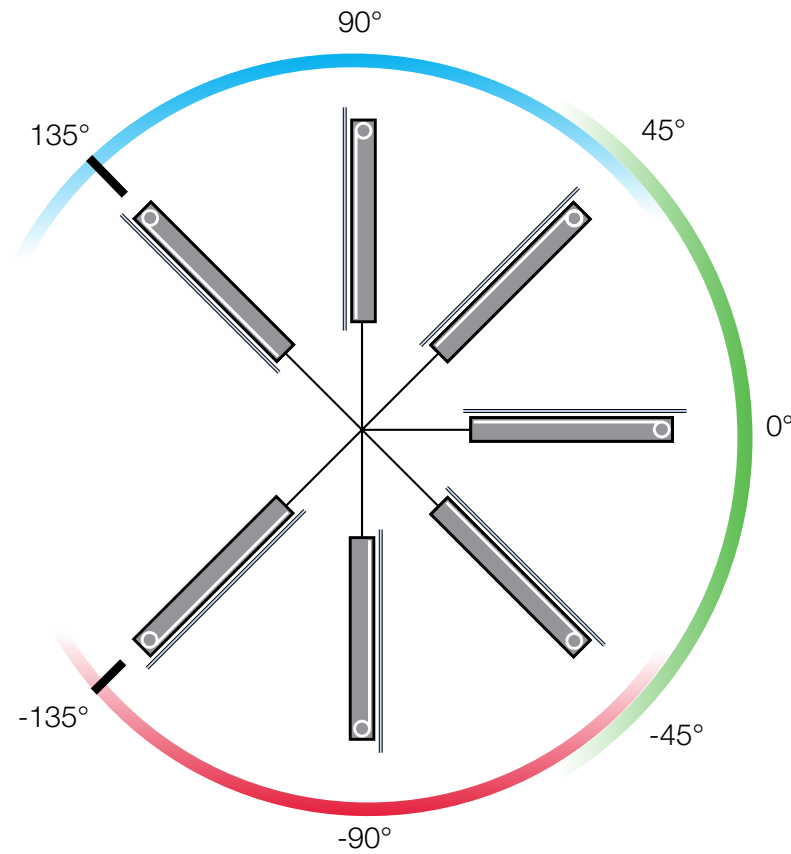
- Inside, recessed, and surface mounting options
- Pre-assembled shipping available for shade sizes up to 30 sq. ft (2.8 sq. m)



Angles of installation

Lutron tensioned shades allow for flexible installation at any angle between -135° and 135° with consistent aesthetic results. Shade can close from top to bottom, or from the bottom up, with fabric unrolling closest to the window.

- Angled shades
- Skylight shades
- Bottom-up shades

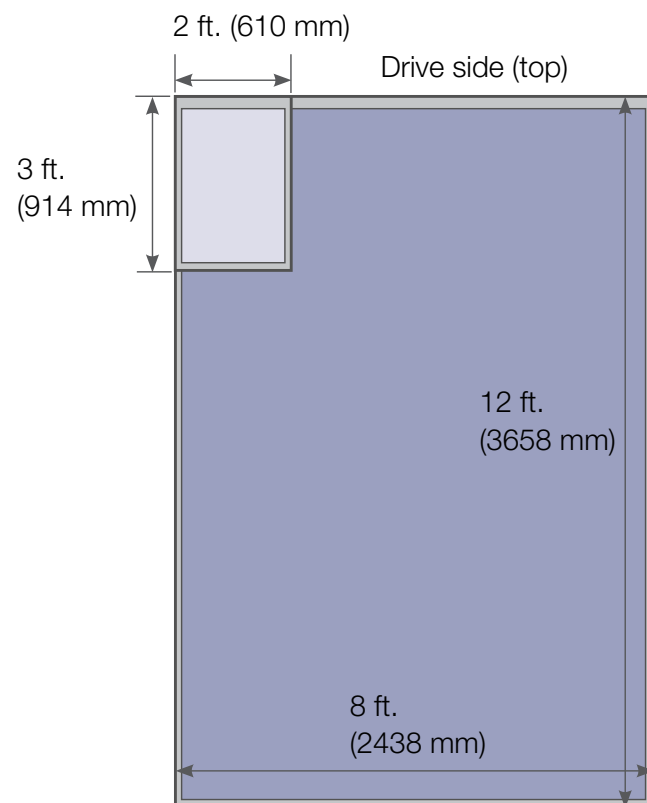


System parameters

This chart illustrates dimensions of the tensioned shade system. System contains frame and shade.

- Minimum system size:
2 ft. wide x 3 ft. long (610 mm x 914 mm)
- Maximum system size:
8 ft. wide x 12 ft. long
(2438 mm x 3658 mm)
- Frame thickness:
Drive side: 4.65 in. (118 mm)
Non-drive sides: 2.25 in. (57 mm)

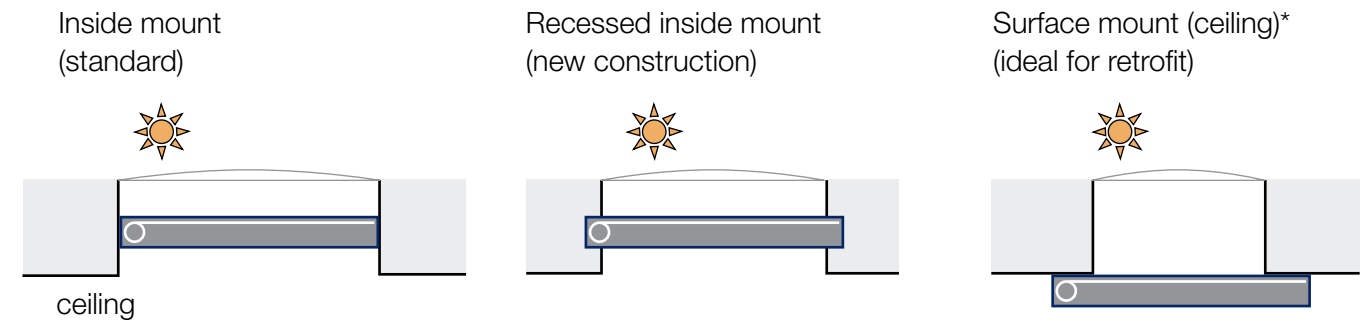
Note: Tensioned shade dimension limitations are a function of fabric selection and application angle. Please consult the SCT or Customer Service for details.



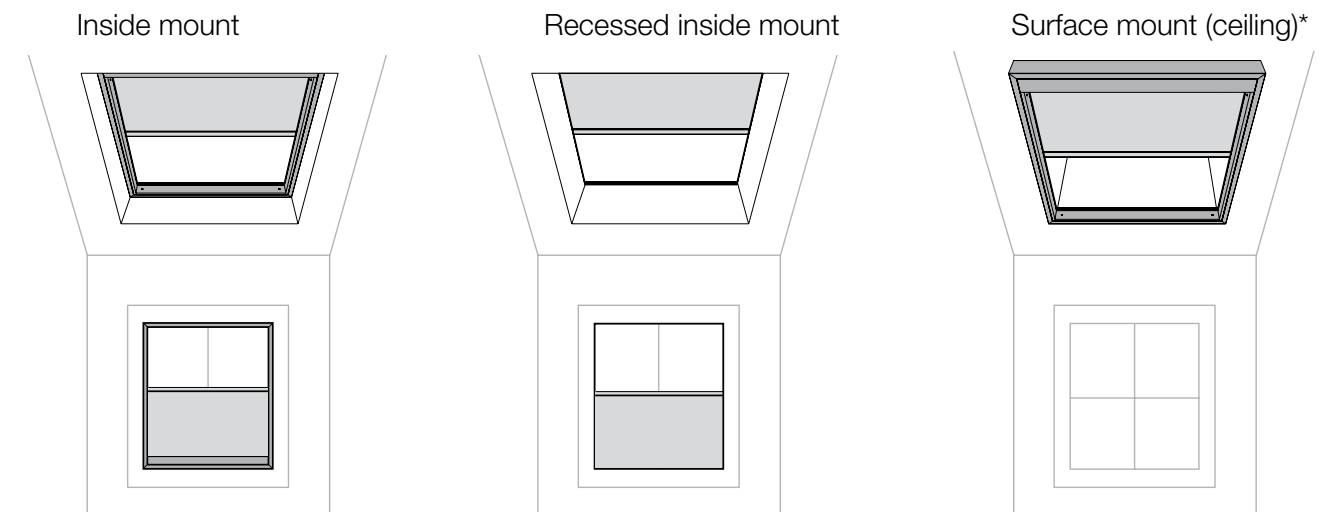
Mounting options

Lutron tensioned shades can be installed inside of, recessed into, or on the surface* of the skylight or window opening.

Skylight cross-section

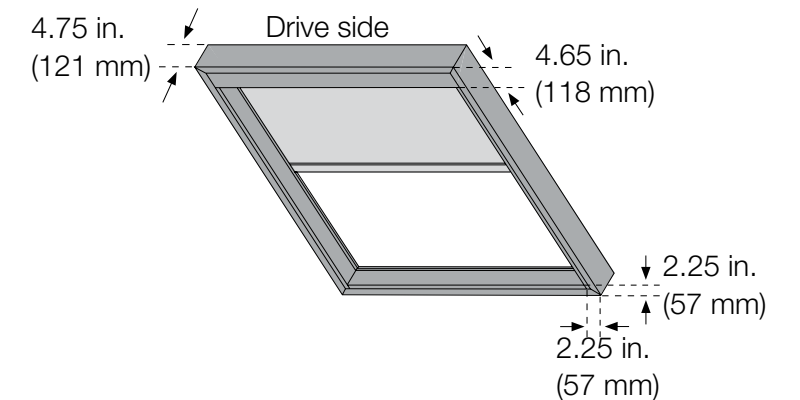


Skylight and window room view



Frame specifications

System is concealed within its frame. Frame thickness and depth are standard regardless of system size. Pre-assembled shipping available.** Available in white and anodized aluminum.



* Surface mount recommended for skylight applications only

** Shade sizes up to 30 sq. ft. (2.8 sq. m)

Fabric options

Wide variety of sheer, dim-out, and blackout fabrics to enhance décor of commercial and residential spaces. The fabric offering meets the highest standards of enduring extreme temperature while delivering performance and reliability.

Category	Family	Fabric	Openness Factor (%)	Number of Colors
Sheer	SheerShade®	Basketweave 90	1, 3, 5, 10	9
		Basketweave 2000	5, 10	10
		Basketweave ES	1, 3, 5, 10	10
		Basketweave MS	3, 5	20
		Basketweave TS	1, 3	10
	Designer	MS Designer	3, 5	10
	Dual-sided	Basketweave ST	5	10
		Basketweave Silver	4	10
Dim-out	Privacy	Obion	<1	4
Blackout	Standard	Standard	0	6
	Dual-sided	Premiere	0	11
		Value Premier 71	0	6

Visit www.lutron.com/shadingsolutions for more information.



Technical Support Center
1.800.523.9466

Customer Service/Quotes
1.888.LUTRON1



www.lutron.com
P/N 367-1530 REV E