



The Sivoia QED drapery track from Lutron® provides quiet, convenient control of elegant window coverings with wall-mounted keypads or infrared remote controls. Customer-supplied draperies operating on the Lutron drapery track allow users to enhance their décor while controlling privacy and daylight.

**NEW!**

**D145 Drive** (Available Fall 2008)

- Carry heavier drapes (up to 145 lbs [65.8 kg]) on long tracks
- For curved tracks with one or two bends

**Manual Open carrier**

- Manually open drapes without power
- Prevent damage to track if user does not realize track is motorized

**Track Splicing**

- Tracks arrive in shorter sections and are assembled at the job site
- Allows for longer tracks up to 30 ft (9144 mm)

Sivoia QED  
IR drape control

(for a complete listing of controls available, see the Controls chapter of 367-1455)

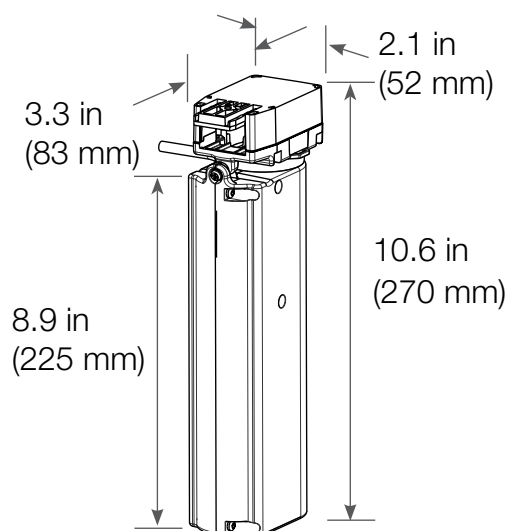
The Sivoia QED drapery track system has a slim profile, ultra-quiet performance, and capacity to operate heavy drapes (up to 105 lb with the D105 and 145 lb with the D145). The low-profile drive is hidden behind the drapes, and is not visible in the installation.

## Features

- One-touch control of individual or groups of drapery for fully-open, fully-closed, or preset positions
- Patented technology provides ultra-quiet operation
- Integrates seamlessly with Sivoia QED roller shades and Roman shades

## Options

- New Manual Open carrier
- Track splicing
- Curved tracks (up to 90° bends)
- Left-draw, right-draw, center-draw, dual, and tandem systems available
- Pinchpleat or ripplefold pleat styles
- White, bronze, and anodized aluminum tracks with color matched endcaps

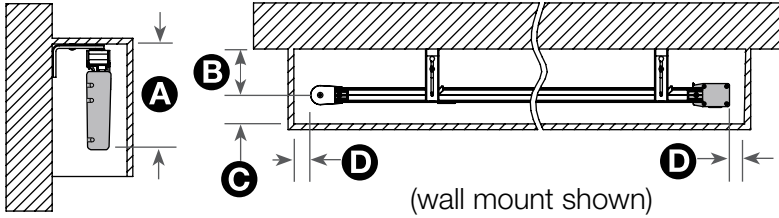


Dimensions of Sivoia QED drapery drive connected to the rail box



**Single drapery track system**

Maintain enough clearance between the drapery track and the inside face of the top treatment or ceiling recess to allow the fabric to move freely.

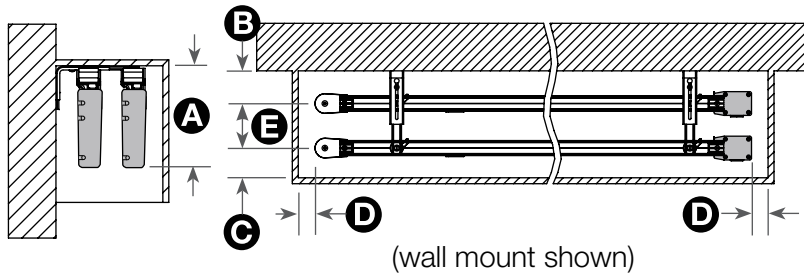


**Dimensions\***

- A** 11.25 in (286 mm)
- B** 3.5 in (89 mm)
- C** 2.5 in (64 mm)
- D** 1 in (25 mm)

**Dual drapery track system**

Sivoia QED® drapery tracks can be used for a combination sheer/blackout treatment.

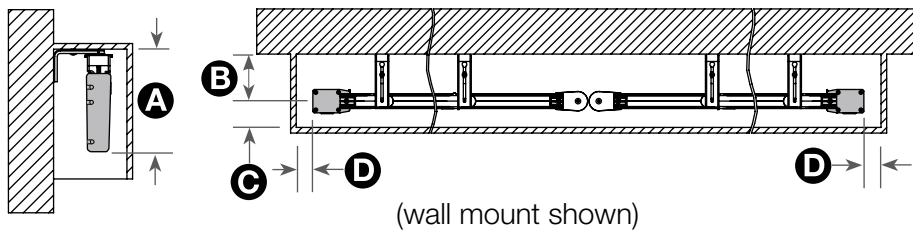


**Dimensions\***

- A** 11.25 in (286 mm)
- B** 3.5 in (89 mm)
- C** 2.5 in (64 mm)
- D** 1 in (25 mm)
- E** 5.5 in (140 mm)

**Single, tandem drapery track system**

The accuracy of movement and speed control of the Sivoia QED drapery track system allows two independent systems to be used to create a center draw drape.

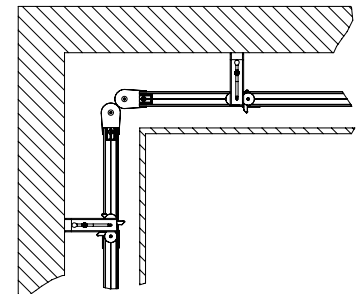


**Dimensions\***

- A** 11.25 in (286 mm)
- B** 3.5 in (76 mm)
- C** 2.5 in (64 mm)
- D** 1 in (25 mm)

**Corner application**

Sivoia QED drapery tracks can be used in corner applications.



\* Measurements listed are minimums.  
Note: Sivoia QED drapery tracks utilize an external EDU

# Sivoia QED® | drapery track system capacities

Please refer to the following charts for pinch pleat and ripplefold system capacities. See Drapery Catalog (P/N 367-1527) for metric.

Sivoia QED   D105 pinch pleat system capacity		
System width	Straight track	Curved track, 1 bend
24 in. to 32 in.	20 lbs	N/A (track too short)
32 in. to 44 in.	30 lbs	30 lbs
44 in. to 56 in.	40 lbs	40 lbs
56 in. to 68 in.	55 lbs	50 lbs
68 in. to 84 in.	65 lbs	50 lbs
84 in. to 108 in.	80 lbs	55 lbs
108 in. to 132 in.	105 lbs	55 lbs
132 in. to 156 in.	100 lbs	60 lbs
156 in. to 216 in.	80 lbs	55 lbs
216 in. to 252 in.	70 lbs	50 lbs
252 in. to 288 in.	60 lbs	45 lbs
288 in. to 324 in.	50 lbs	45 lbs
324 in. to 360 in.	40 lbs	35 lbs

Sivoia QED   D145 pinch pleat system capacity			
System width	Straight track	Curved track, 1 bend	Curved track, 2 bends
24 in. to 32 in.	20 lbs	-	-
32 in. to 44 in.	30 lbs	30 lbs	-
44 in. to 56 in.	40 lbs	40 lbs	-
56 in. to 68 in.	55 lbs	55 lbs	40 lbs
68 in. to 84 in.	65 lbs	65 lbs	45 lbs
84 in. to 108 in.	80 lbs	80 lbs	50 lbs
108 in. to 144 in.	105 lbs	85 lbs	50 lbs
144 in. to 180 in.	145 lbs	90 lbs	55 lbs
180 in. to 216 in.	135 lbs	95 lbs	55 lbs
216 in. to 252 in.	120 lbs	95 lbs	55 lbs
252 in. to 288 in.	110 lbs	95 lbs	50 lbs
288 in. to 324 in.	100 lbs	90 lbs	50 lbs
324 in. to 360 in.	90 lbs	85 lbs	45 lbs

Sivoia QED   D105 ripplefold system capacity	
System width	Straight track
24 in. to 32 in.	30 lbs
32 in. to 44 in.	40 lbs
44 in. to 56 in.	55 lbs
56 in. to 68 in.	70 lbs
68 in. to 108 in.	85 lbs
108 in. to 156 in.	65 lbs
156 in. to 180 in.	40 lbs
180 in. to 216 in.	10 lbs for 80% fullness* 10 lbs for 100% fullness n/a (capacity limit) for 120% fullness

Sivoia QED   D145 ripplefold system capacity	
System width	Straight track
24 in. to 32 in.	30 lbs
32 in. to 44 in.	40 lbs
44 in. to 56 in.	55 lbs
56 in. to 68 in.	70 lbs
68 in. to 84 in.	85 lbs
84 in. to 108 in.	105 lbs
108 in. to 132 in.	140 lbs
132 in. to 168 in.	125 lbs
168 in. to 216 in.	90 lbs
216 in. to 252 in.	50 lbs

\* Fullness of the drape is determined by the spacing of the carriers in the track. The higher the fullness factor, the more full the drapes appear.