

PA2400T 

**Two-Channel
Power Amplifier**

Key Features:

- 2 x 430W at 70V or 4 Ohms
- 2 U Rack Space Chassis
- Rear Level Controls
- Complete Protection Package
- Bridge Mode Operation Provides 1 x 860W at 8 Ohms
- Selectable 50Hz or 300Hz Hi-Pass Filter for each Channel
- Phoenix Type Inputs
- Phoenix Type Outputs
- High Efficiency Circuit Design
- Front Panel Power On/Off



General Description:

The Electro-Voice® PA2400T is from the PA series of professional commercial audio amplifiers. The direct path airflow design reduces the heat buildup significantly and allows for more amplifier channels and output power in slim two rack space chassis. The audio performance of the PA2400T is superior and fulfills the requirements in many demanding long term applications from sound reinforcement, paging or life safety installations.

High performance torroidal power and output transformers combine clean saturation free audio performance with cool running operation. The PA2400T features many of the same comprehensive protection circuits typical in EV amplifiers. Complete protection is provided for high temperature, audio limiters, power up delay and peak current limiters. In addition to the rated output power, the PA2400T provides excellent headroom for a wide dynamic range on music signals. The onboard dynamic limiter ensures that the output clipping of the PA2400T will not will not generate excessive distortion. The amplifier channels can be bridged for more power flexibility.

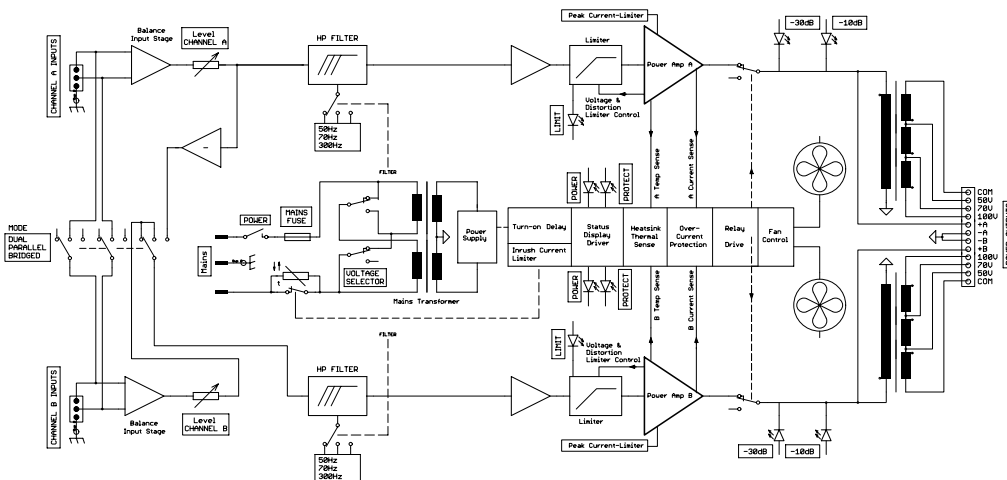
Marked level controls on the rear panel provide hidden reliable level adjustments for each channel. Front panel LEDs indicate signal present, 0 dB, and limit. Phoenix type connectors for inputs and outputs provide an easy rack wiring.

Technical Specifications:

Number of Channels	2		
Load Impedance	8 Ohm	4 Ohm	70V
Rated Output Power (*Rated Load) THD<1%, 1kHz	215W	430W	430W
Rated Output Power (*Rated Load) THD<0.2%, 20Hz...20kHz	200W	400W	400W
Slew Rate at 1kHz	25V/μs		46V/μs
Frequency Response, -1dB, Ref. 1kHz	65Hz - 40kHz		65Hz - 20kHz
Damping factor, at 100Hz / 1kHz, 4 Ohm	>250		N/A
Power Bandwidth THD=1%, Ref. 1kHz, Half Power	45Hz - >20kHz		
Input Impedance, 20Hz ... 20kHz, Balanced	>20kOhm		
Signal-to-Noise Ratio, A-Weighted	103 dB		
Input Sensitivity at Rated Output Power or Voltage, 1kHz	0dBu (775mV)		
THD at rated output power, MBW=80kHz, 1kHz	<0.1%		
IMD-SMPTE, 60Hz, 7kHz	<0.1%		
DIM30, 3.15kHz, 15kHz	<0.1%		
Crosstalk, Ref. 1kHz, at 10% Rated Output Power	<-75 dB		
Power Requirements	120V or 230V, 50Hz - 60Hz		
Protection	Audio Limiters High Temperature Peak Current Limiters Turn-On Delay		
Cooling	Front-to-Rear		
Dimensions (W x H x D), mm	483 x 88 x 406mm (2Ru) 19" x 3.5" x 16"		
Weight	26kg (57.27lbs)		

Low Impedance Outputs:
 - Min. Rated Load for Single Channel Operation is 4 Ohms. 2 Ohm Load is Not Recommended.
 - Min. Rated Load for Bridged Operation is 8 Ohms. 4 Ohm Load is Not Recommended.

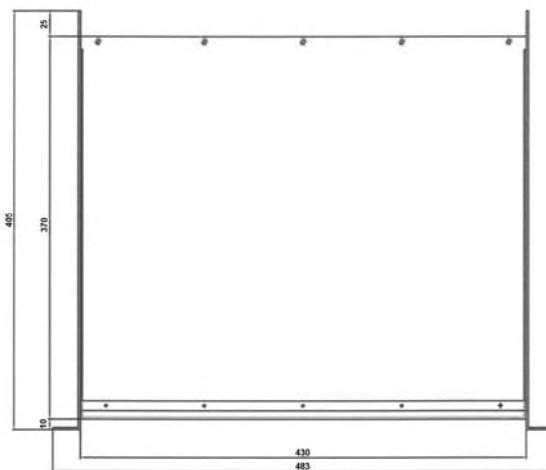
Block Diagram:



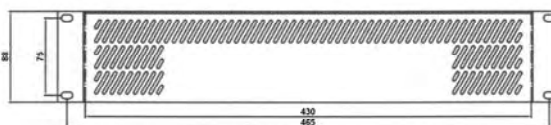
Dimension Drawings:

All Dimensions in Millimeters

Top View

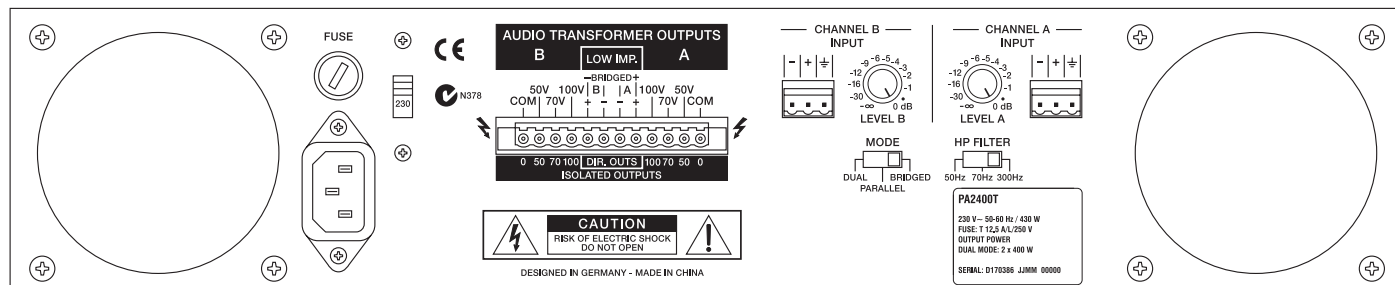


Front View



PA2400T Part Number:
PA2400T, 120V -- D170406

Rear View:



12000 Portland Avenue South, Burnsville, MN 55337
Phone: 952/884-4051, Fax: 952/884-0043

www.electrovoice.com

© Telex Communications, Inc. 1/2006
Part Number LIT-0000XX Rev 1

U.S.A. and Canada only. For customer orders, contact Customer Service at:

800/392-3497 Fax: 800/955-6831

Europe, Africa, and Middle East only. For customer orders, contact Customer Service at:

+ 49 9421-706 0 Fax: + 49 9421-706 265

Other International locations. For customer orders, contact Customer Service at:

+ 1 952 884-4051 Fax: + 1 952 736-4212

For warranty repair or service information, contact the Service Repair department at:

800/685-2606

For technical assistance, contact Technical Support at: **866/78AUDIO**

Specifications subject to change without notice.