

# SPECIFICATIONS

## IMPULSE™ 6T Mini Two-Way System

### SPECIFICATIONS

**Enclosure:**

Impulse™ 6T

**Frequency Response:**

70 Hz - 20 kHz  $\pm 3$  dB

**Low Frequency Limit (-3 dB point):**

70 Hz

**Useable Low Frequency Limit (-10 dB point):**

50 Hz

**Power Handling:**

Power Rating: 35 W, 15 W, 10 W, or 5 W depending on tap selected (Ref. 70 V amplifier output)

**Sound Pressure Level****1 Watt at 1 Meter Swept Sine Input in Anechoic Environment:**

83 dB

**Maximum Sound Pressure Level:**

98 dB

**Radiation Angle Measured at -6 dB Point of Polar Response:****Horizontal Plane      Vertical Plane**

500 Hz - 1.6 kHz 150° $\pm$ 20°	500 Hz - 1.6 kHz 30° $\pm$ 20°
1.6 kHz - 5 kHz 135° $\pm$ 30°	1.6 kHz - 5 kHz 115° $\pm$ 15°
5 kHz - 16 kHz 100° $\pm$ 30°	5 kHz - 16 kHz 95° $\pm$ 30°

**Directivity Factor (Q) 500 Hz - 16,000 Hz Median:**

3.0; +8.5, -7

**Directivity Index (Di) 500 Hz - 16,000 Hz Median:**

4.7 dB; +5.9 dB, -1.1 dB

**Transducer Complement:**

One 5 1/4" special design woofer  
One 1" soft dome tweeter

**Box Tuning Frequency (Fbox):**

Sealed box resonance: 88 Hz

**Harmonic Distortion:**

One Watt  
2nd Harmonic: 100 Hz - 2.0%  
1000 Hz - .20%

3rd Harmonic: 100 Hz - .79%

1000 Hz - .45%

.1 Rated Power

2nd Harmonic: 100 Hz - 3.2%

1000 Hz - .22%

3rd Harmonic: 100 Hz - 1.0%

1000 Hz - .50%

**Crossover Frequency:**

3.0 kHz

**Crossover Type:**

Passive internal

**Crossover Slope:**

12 dB/oct (2nd order) high and low pass

**Input Connections:**

Screw terminals

**Enclosure Materials and Finish:**

Molded polypropylene cabinet with textured finish and perforated aluminum speaker grille. Available in black (with black grille) or white (with white grille).

**Mounting:**

Flying via four threaded inserts compatible with Versamount™ 35 hardware or via two threaded inserts compatible with a Peavey SV™ 605 mounting bracket (hardware not included)

**Dimensions:**

7 1/2" (19.1 cm) W x 11 1/2" (29.2 cm)

H x 6 1/2" (16.5 cm) D

**Optional Accessories:**

SV™ 605 mounting bracket  
Versamount™ 35 mounting bracket

**Net Weight:**

8 lbs. (3.6 kg)

**Additional Remarks:**

Tweeter is cooled with ferrofluid, and speaker has hi-fi voicing and clarity.



**PEAVEY**®

## FEATURES

- Hi-fi sound character
- 5 1/4" special design woofer
- Molded polypropylene cabinet
- Six threaded inserts
- Slots to allow interlocking of additional units
- Weather-resistant for outdoor use
- Drivers protected by an aluminum grille
- Small and lightweight with an unobtrusive appearance
- Frequency response: 70 Hz to 20 kHz
- SPL: 83 dB at 1 W/1 m

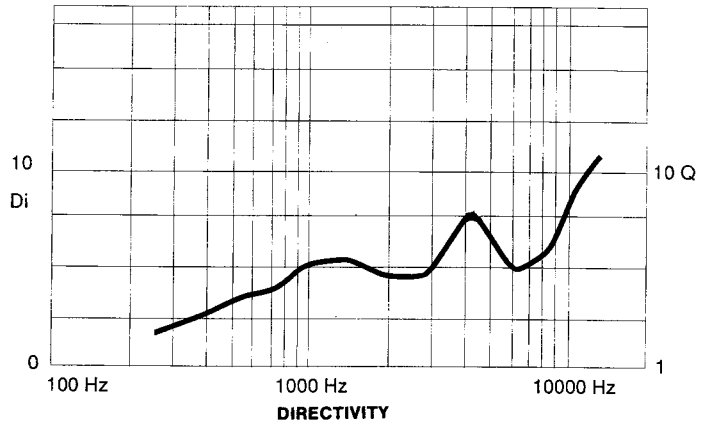
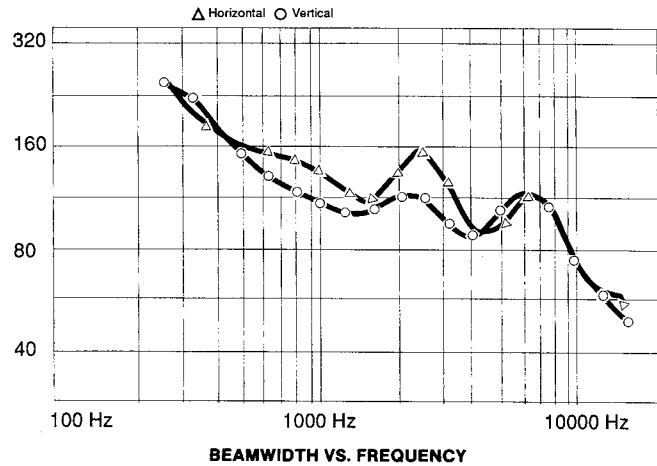
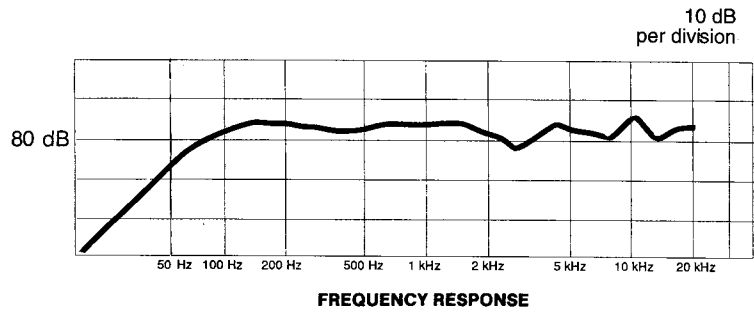
## DESCRIPTION

The Impulse™ 6T is a mini two-way system with a hi-fi sound character brought about via a driver complement consisting of a 1" dome tweeter and a special design 5 1/4" woofer. The unobtrusive and highly practical molded trapezoidal cabinet is fitted with six threaded, inserts allowing compatibility with Versamount™ 35 hardware or the Peavey SV™ 605 mounting bracket. With the unique interlocking slots on either side of the trapezoidal enclosure, arrays and multiple unit installations are simplified.

Incorporated into the Impulse 6T is a 70 V line distribution transformer. This transformer has taps at 35 W, 15 W, 10 W, and 5 W. These qualities combine to offer unmatched versatility for use in background music systems in bars, taverns, arenas, lounges, arcades, or anywhere a multi-channel/multi-speaker sound system is required. Ideal for these venues, the high-impact polypropylene cabinets are nearly indestructible. A perforated aluminum grille protects the drivers from being tampered with by establishment clientele. Both the drivers and the cabinet are weather-resistant, facilitating outdoor use and installations. The performance extends from 70 Hz to 20 kHz in frequency response with an efficiency of 83 dB at 1 m with 1 W input.

## DIRECTIVITY

Beamwidth and directivity factors are derived from the -6 dB points from the polar plots, which are measured in a whole space anechoic environment. These are specifications which provide a reference to the coverage characteristics of the enclosure. These parameters provide insight for proper enclosure placement and installation in the chosen environment. The blending of the components of the Impulse 6T



exhibits a desirable beamwidth and directivity factor suitable for all high-level sound reinforcement applications.

### FREQUENCY RESPONSE

This measurement is useful in determining how accurately a given enclosure reproduces an input signal. The frequency response of the Impulse 6T is measured at 1 meter using a 1 watt swept sine input. The selected drivers in the Impulse 6T combine to give a smooth frequency response from 70 Hz to 20 kHz.

### HARMONIC DISTORTION

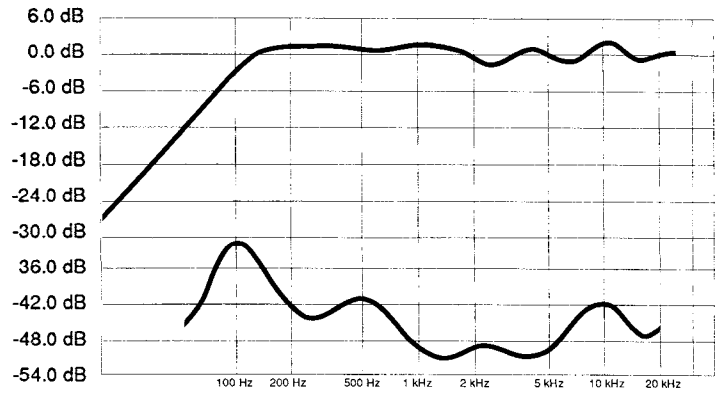
Second and third harmonic distortion vs. frequency is plotted in two power levels: one tenth of rated input power and either one one hundredth of rated input power or one watt, whichever is higher. Distortion is read from the graph as the difference between the fundamental signal and the desired harmonic. As an example, distortion that is 40 dB down from the fundamental signal is equivalent to 1% distortion.

### MOUNTING

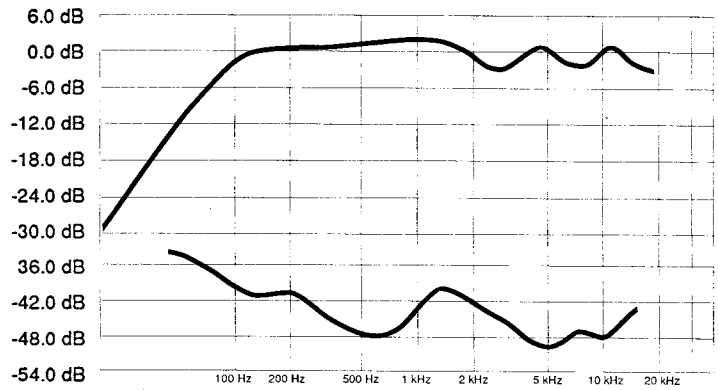
The Impulse 6T can be mounted using a Peavey Versamount™ 35 or SV™ 605 mounting bracket. No more than three interlocked Impulse 6T units should be suspended from a single Versamount™ 35, and no more than one unit from an SV™ 605 mounting bracket.

### ARCHITECTURAL AND ENGINEERING SPECIFICATIONS

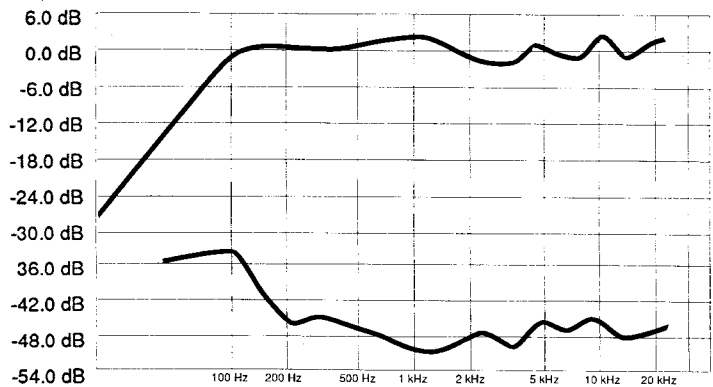
The loudspeaker system shall have an operating bandwidth of 70 Hz to 20 kHz. The output level shall be 83 dB when measured at a distance of one meter with an input of one watt. The outside dimensions shall be 7 1/2 inches wide by 11 1/2 inches high by 6 1/2 inches deep. The weight shall be 8 lbs. The loudspeaker system shall be a Peavey Product model Impulse™ 6T.



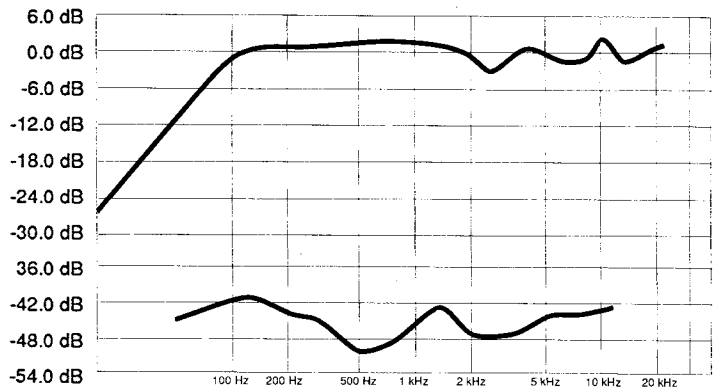
2nd HARMONIC 5 W



3rd HARMONIC 5 W

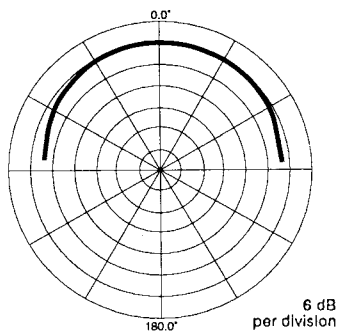


2nd HARMONIC 1 W

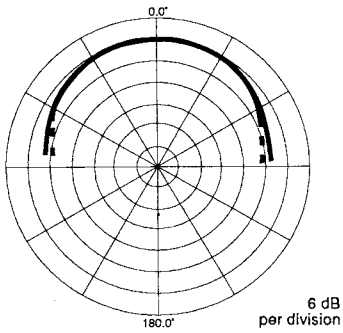


3rd HARMONIC 1 W

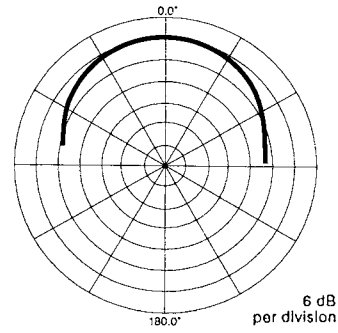
# HORIZONTAL



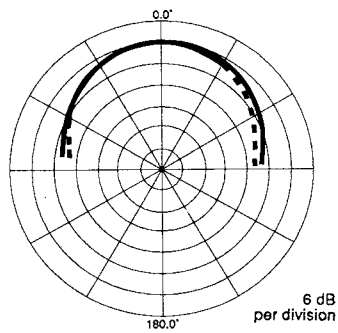
— 250 Hz  
- - - 315 Hz



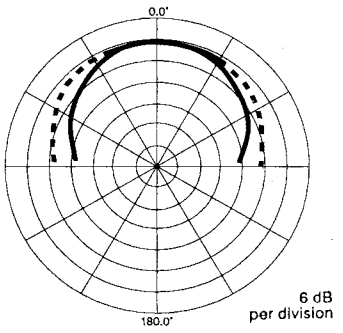
— 400 Hz  
- - - 500 Hz



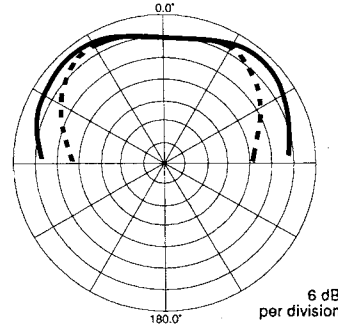
— 630 Hz  
- - - 800 Hz



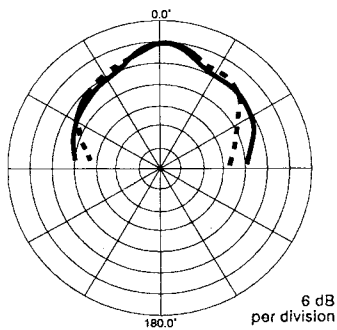
— 1,000 Hz  
- - - 1,250 Hz



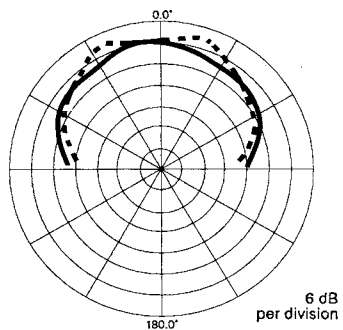
— 1,600 Hz  
- - - 2,000 Hz



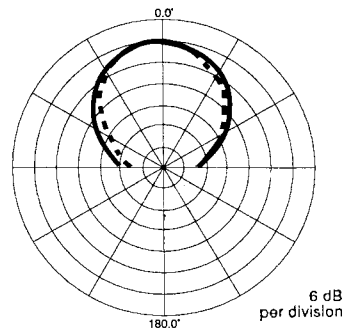
— 2,500 Hz  
- - - 3,150 Hz



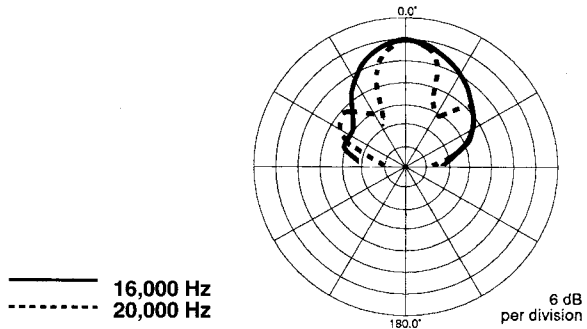
— 4,000 Hz  
- - - 5,000 Hz



— 6,300 Hz  
- - - 8,000 Hz

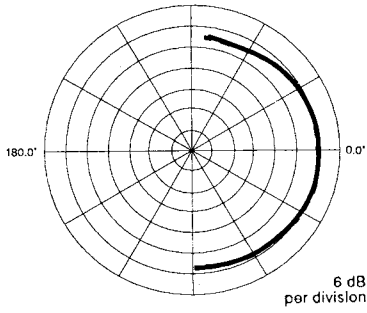


— 10,000 Hz  
- - - 12,500 Hz

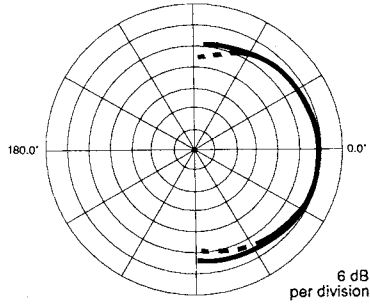


— 16,000 Hz  
- - - 20,000 Hz

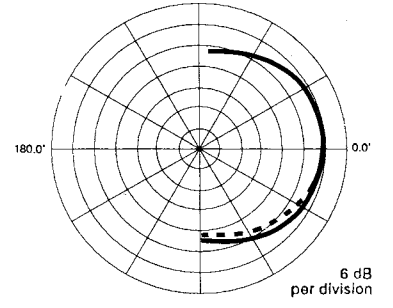
# VERTICAL



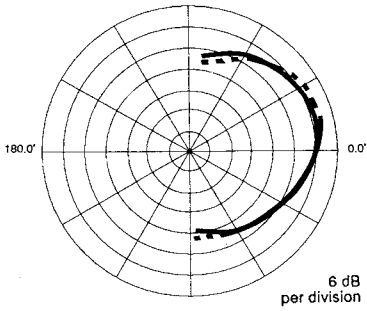
— 250 Hz  
- - - 315 Hz



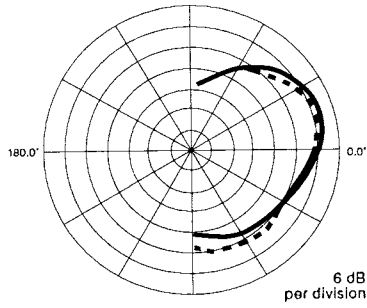
— 400 Hz  
- - - 500 Hz



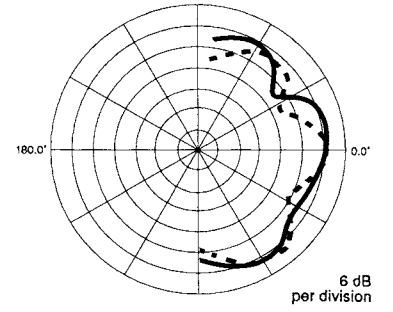
— 630 Hz  
- - - 800 Hz



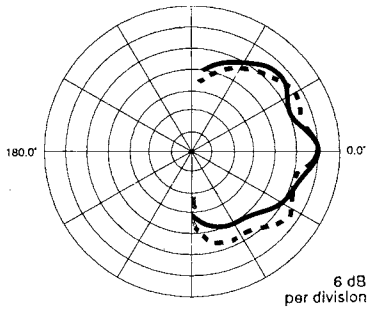
— 1,000 Hz  
- - - 1,250 Hz



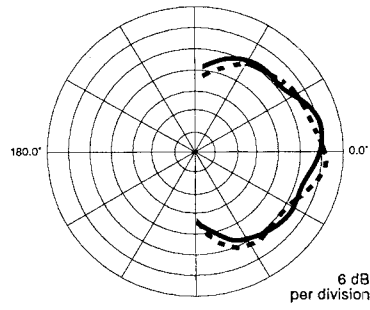
— 1,600 Hz  
- - - 2,000 Hz



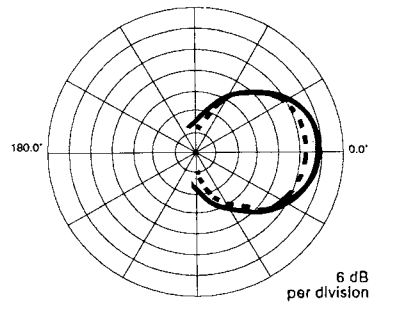
— 2,500 Hz  
- - - 3,150 Hz



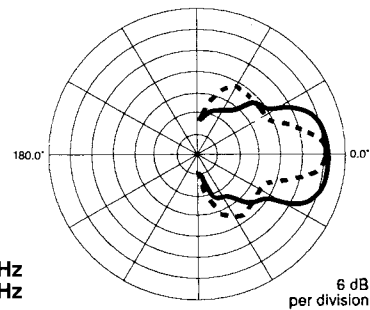
— 4,000 Hz  
- - - 5,000 Hz



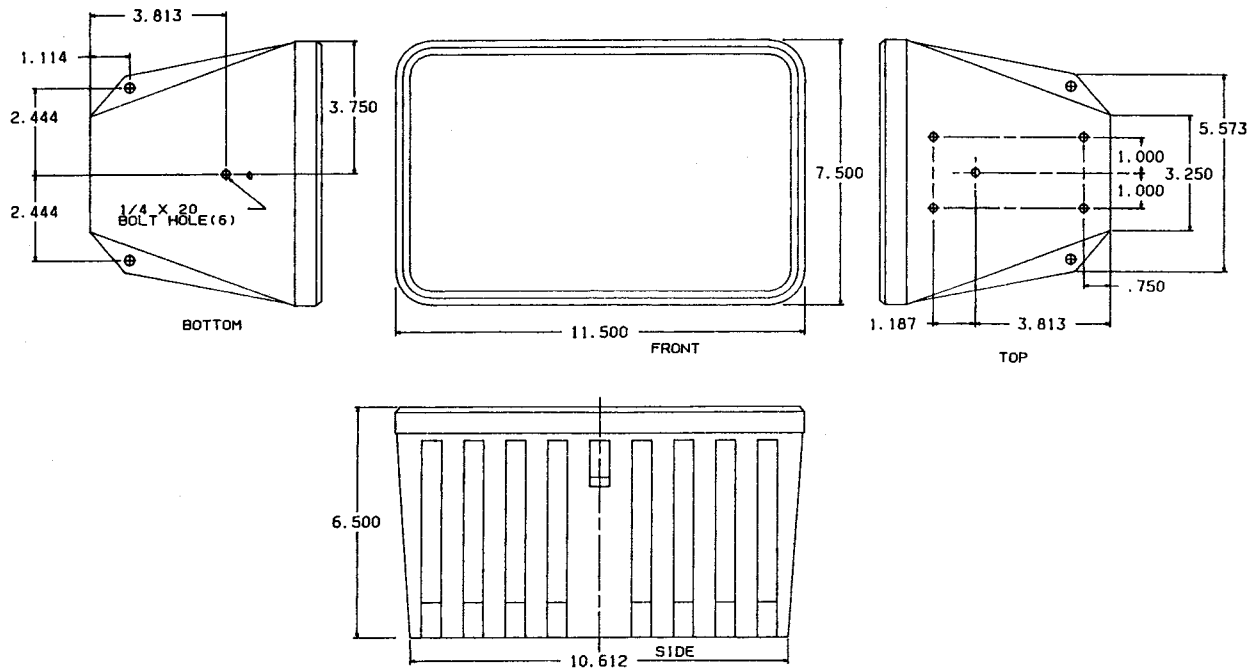
— 6,300 Hz  
- - - 8,000 Hz



— 10,000 Hz  
- - - 12,500 Hz



— 16,000 Hz  
- - - 20,000 Hz



### LIMITED WARRANTY

Peavey Electronics Corporation warrants to the original purchaser of this new Peavey product that it is free from defects in material and workmanship. If within one (1) year from date of purchase a properly installed product proves to be defective and Peavey is notified, Peavey will repair or replace it at no charge. (Note: Batteries and patch cords not covered.) "Original purchaser" means the customer for whom the product is originally installed.

Damage resulting from improper installation, interconnection of a unit or system of another manufacturer, accident or unreasonable use, neglect or any other cause not arising from defects in material and workmanship is not covered by this warranty. The warranty is valid only as to products purchased and installed in the United States and Canada.

THIS LIMITED WARRANTY IS IN LIEU OF ANY AND ALL WARRANTIES, EXPRESSED OR IMPLIED, INCLUDING THE IMPLIED WARRANTIES OF MERCHANTABILITY AND FITNESS FOR A PARTICULAR USE. UNDER NO CIRCUMSTANCES WILL PEAVEY BE LIABLE FOR ANY LOST PROFITS, LOST SAVINGS, INCIDENTAL DAMAGES OR CONSEQUENTIAL DAMAGES ARISING OUT OF THE USE OR INABILITY TO USE THE PRODUCT, EVEN IF PEAVEY HAS BEEN ADVISED OF THE POSSIBILITY OF SUCH DAMAGE. THIS LIMITED WARRANTY IS THE ONLY EXPRESSED WARRANTY ON THIS PRODUCT, AND NO OTHER STATEMENT, REPRESENTATION, WARRANTY, OR AGREEMENT BY ANY PERSON SHALL BE VALID OR BINDING UPON PEAVEY.

Peavey's liability to the original purchaser for damages for any cause whatsoever and regardless of the form of action is limited to the actual damages up to the greater of Five Hundred Dollars (\$500) or an amount equal to the purchase price of the product that caused the damage or that is the subject of or is directly related to the cause of action. This limitation of liability will not apply to claims for personal injury or damage to real property or tangible personal property allegedly caused by Peavey's negligence. For information on service under this warranty, call a Peavey customer service representative at (601) 483-5365.



Features and specifications subject to change without notice.

A Product of Peavey Electronics Corporation



Peavey Electronics Corporation 711 A Street / Meridian, MS 39301 / U.S.A. / (601) 483-5365 / Fax 486-1278



80300482