

**FRX+181**  
**Vented Direct Radiating**  
**18 inch Subwoofer**  
**Speaker System**



**Key Features:**

- Unequalized flat response to 42 Hz
- Usable Bass Output to 32 Hz
- Built-in L-track rigging
- Available in black, white and unfinished
- Enclosure shell identical to FRX+ full-range
- High sensitivity, 100 dB below 100 Hz<sup>1</sup>



**General Description:**

The FRX+181 is designed for applications where extended low frequency response is desired in an FRX+ installation. It is a trapezoidal enclosure identical in size, appearance and rigging to the FRX+ full-range systems. An 18" LF transducer is centrally mounted in a large optimally-vented enclosure for efficient deep-bass response that requires only minimal equalization. These professional fixed install speakers deliver a broad range of performance options including multiple rotatable horn patterns, matching sub-woofer, full-range systems with easily switchable passive or bi-amp operation, and EV's world renowned transducer technology for response that is smooth and linear. The FRX+ Series is an economical and flexible solution for the most demanding installations.

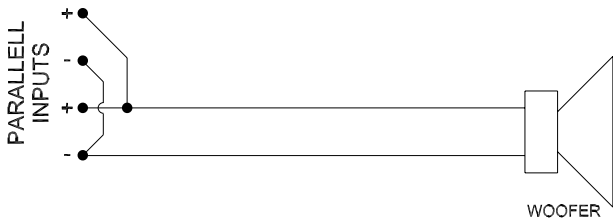
Same size full-range and sub-woofer systems allow the installer to construct arrays covering the most demanding acoustical environments while maintaining an aesthetic and uniform installation. The structural integrity of the FRX+ cabinets allows for vertical arrays up to 2 boxes in depth. All FRX+ systems are available in weather resistant black or white EVCoat™, and unfinished. A severe environment weatherization option is also available. Performance may be further enhanced by bi-amping or tri-amping with the Electro-Voice Dx-38 Digital Sound System Processor.

**Technical Specifications:**

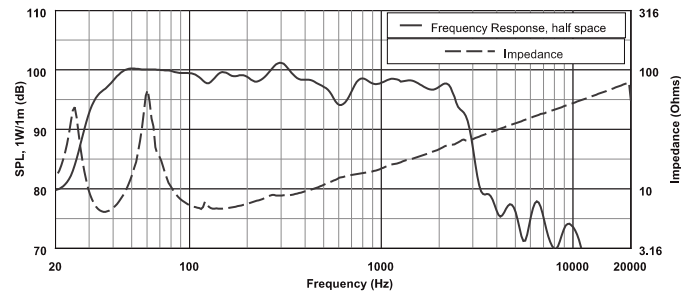
Freq. Response <sup>1</sup> (-3 dB):	37 Hz-2.2 kHz
Freq. Range <sup>1</sup> (-10 dB):	28 Hz-2.8 kHz
Max Calculated SPL <sup>1</sup> :	132 dB (Peak)
Horizontal Coverage:	Omnidirectional
Vertical Coverage:	Omnidirectional
LF Power Handling:	400W Continuous, 1600W Peak
LF Sensitivity (Bi-Amp) <sup>1</sup> :	100 dB, 1W/1m
Impedance:	8 ohms (Nominal), 6.4 ohms (Min.)
LF Transducer:	DL18mt 18" (457mm) Driver
Enclosure Tuning Freq:	36Hz
Recommended Hi-Pass Frequency:	32 Hz, 12dB/oct min.
Recommended Crossover Frequency:	80 Hz Linkwitz-Reilly
Connectors:	Barrier Strips
Enclosure Material:	13-ply Birch plywood
Grille:	16 GA steel
Environmental Spec:	IEC 529 IP24 MIL STD 810
Dim (H x W x D):	31.5" x 28.5" x 27.0" (800 x 724 x 686 mm)
Net Weight (each):	100 lbs (45.5 kg)
Shipping Weight:	105 lbs (47.7 kg)

<sup>1</sup> Half Space measurement.

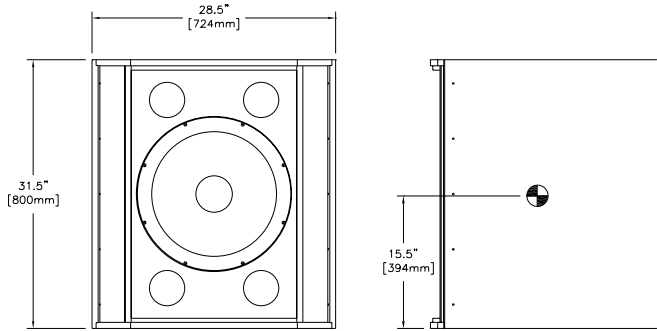
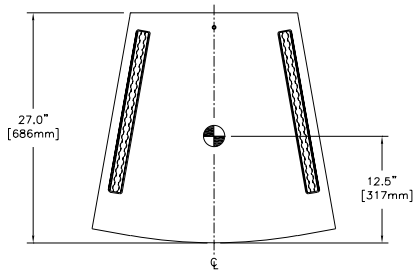
## Block Diagram:



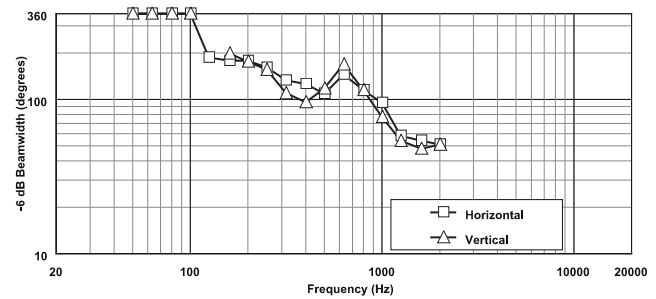
## Frequency Response:



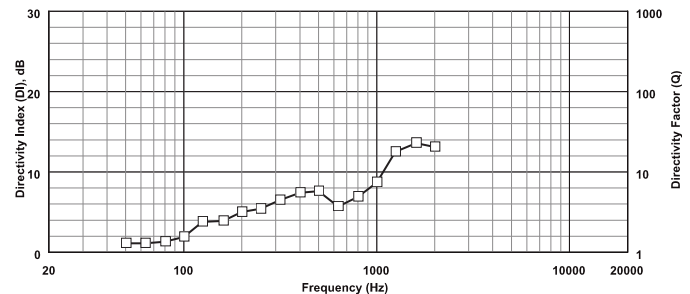
## Dimension Drawings:



## Beamwidth:



## Directivity:



## Performance Match:

- FRX+640 (Unfinished) - 301234-000
- FRX+640 (Black) - 301234-001
- FRX+640 (White) - 301234-002
- FRX+660 (Unfinished) - 301237-000
- FRX+660 (Black) - 301237-001
- FRX+660 (White) - 301237-002
- FRX+940 (Unfinished) - 301238-000
- FRX+940 (Black) - 301238-001
- FRX+940 (White) - 301238-002

## FRX+181 Part Numbers:

- FRX+181 (Unfinished) - 301264-000
- FRX+181 (Black) - 301264-001
- FRX+181 (White) - 301264-002



12000 Portland Avenue South, Burnsville, MN 55337  
Phone: 952/884-4051, Fax: 952/884-0043

[www.electrovoice.com](http://www.electrovoice.com)

© Telex Communications, Inc. 6/2007  
Part Number 38110-104 Rev E

U.S.A. and Canada only. For customer orders, contact Customer Service at:  
800/392-3497 Fax: 800/955-6831

Europe, Africa, and Middle East only. For customer orders, contact Customer Service at:  
+ 49 9421-706 0 Fax: + 49 9421-706 265

Other International locations. For customer orders, contact Customer Service at:  
+ 1 952 884-4051 Fax: + 1 952 736-4212

For warranty repair or service information, contact the Service Repair department at:  
800/685-2606

For technical assistance, contact Technical Support at: 866/78AUDIO

Specifications subject to change without notice.