



**F R I**  
**S P E A K E R**  
**S Y S T E M S**

**General Product Description**

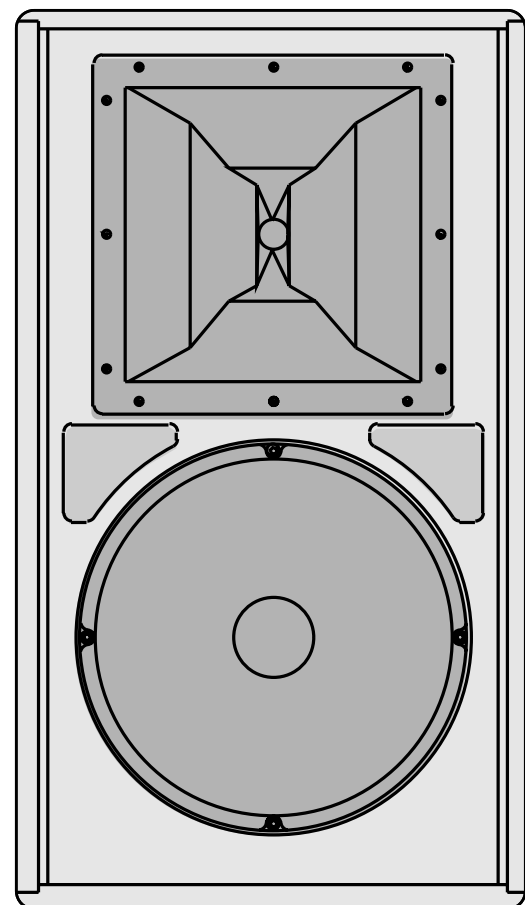
Two-way full-range passive system, with biamp option in a vented trapezoidal enclosure. Includes a 12-inch woofer and a 2"/50mm voice coil compression driver on a user-rotatable 60° × 40° constant-directivity horn. Cloth coverable steel grille.

**Applications**

The FRi-122/64 uses EV's exclusive RMD™ (Ring-Mode Decoupling) to provide outstanding vocal clarity and intelligibility in a cost-effective two-way system. The versatile, compact enclosure features a comprehensive system of 3/8-16 threaded mounting/suspension points, to allow horizontal or vertical mounting. Simply rotate the horn to select the desired coverage pattern. The FRi series is 28-inches high, creating a uniform look in arrays. Five year warranty.

*Applications include:*

- |                   |            |
|-------------------|------------|
| Stadiums          | Arenas     |
| Houses of Worship | Discos     |
| Live music clubs  | Gymnasiums |



**Speaker Description**

<b>Part Number</b>	FRi-122/64-BLK
<b>LF Section &amp; Components</b>	DL12BFH 12-inch woofer in vented enclosure
<b>HF Section &amp; Components</b>	DH2t compression driver with 2-inch titanium diaphragm on a constant-directivity horn
<b>System Configuration</b>	Two-way, Full range
<b>Powering Configuration</b>	Passive or Biamp
<b>Recommended High-Pass Frequency (12 dB/octave min.)</b>	50 Hz
<b>Cabinet Type (shape)</b>	Trapezoidal
<b>Enclosure Materials</b>	13-ply Birch plywood
<b>Finish</b>	Black Acrylic
<b>Connectors</b>	Two barrier strips
<b>Suspension Hardware</b>	(12) 3/8-16 threaded mounting/suspension points (3 each on top and bottom, 2 per side, 2 on rear)
<b>Grille</b>	Powder-coated perforated 16GA steel
<b>Options</b>	WH - white acrylic finish UN - unfinished

# Specification Sheet FRi-122/64

## Speaker Characteristics

### Frequency Response (passive)

±3 dB	62 Hz-15 kHz
-10 dB	50 Hz-16 kHz

### Axial Sensitivity

(SPL/1 watt/1m) Passive	97 dB
(SPL/1 watt/1m) Biamp (LF/HF)	97/112 dB

### Impedance

Passive	8 ohms
Biamp (LH/HF)	8/8 ohms

### Power Handling

Passive	Long-term (EIA)	300 watts
	Short-term peak	1,200 watts
Biamp-LF	Long-term (EIA)	300 watts
	Short-term peak	1,200 watts
Biamp-HF	Long-term (AES)	60 watts
	Short-term peak	240 watts

### Calculated Maximum Output SPL

Peak	128 dB
Long Term	122 dB

### Nominal Coverage Angle

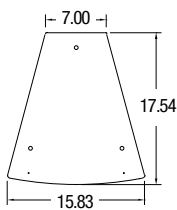
Horizontal (-6 dB)	60°
Vertical (-6 dB)	40°

### Dimensions

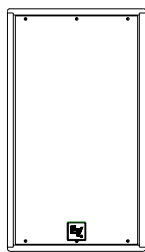
Height	27.92 in.	(711 mm)
Width at front	15.83 in.	(401 mm)
Width at back	7.00 in.	(178 mm)
Depth	17.54 in.	(445 mm)
Trapezoid Angle	15° per side	

### Weights

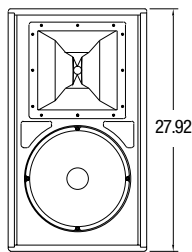
Net Weight	60 lb.	(27.3 kg)
Shipping Weight	72 lb.	(32.7 kg)



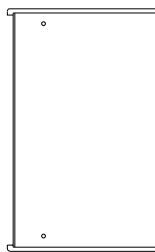
Top View



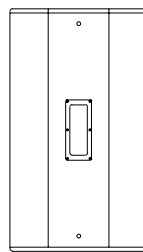
Front View  
(with grille)



Front View  
(with grille removed)



Side View  
(with grille removed)



Back View

## Architectural Specifications

The two-way full range loudspeaker system shall incorporate a 12" LF transducer and a 2"/50mm voice coil HF compression driver.

The LF driver shall be mounted in a vented enclosure tuned for optimum low-frequency response. The HF driver shall be loaded on constant-directivity horn with a nominal coverage pattern of 60° (h) × 40° (v). An internal passive filter network shall provide acoustical crossover and system equalization. Input panel shall easily change from passive to biamp operation via internal connector.

System frequency response shall vary no more than ±3 dB from 62 Hz to 15 kHz measured on axis. The loudspeaker shall produce a sound pressure level (SPL) of 97 dB on axis at 1 meter with a power input of 1 watt, and shall be capable of producing a full-power peak output of 128 dB on axis at 1 meter. It shall handle 300 watts of amplifier power long-term (EIA Standard), and shall have a nominal impedance of 8 ohms.

The loudspeaker enclosure shall be trapezoidal in shape. It shall be constructed of 13 ply void-free cross-grain-laminated Birch plywood and shall employ extensive internal bracing. It shall be finished in black acrylic. Input connectors shall be two at 2 terminal barrier strips. A total of twelve 3/8-16 threaded mounting/ suspension points shall be provided, (three each on top and bottom, two per side, two on rear). The front of the loudspeaker shall be cloth coverable with a powder-coated perforated 16 GA steel grille.

The two-way full range loudspeaker shall be the Electro-Voice model FRi-122/64.



EVERYWHERE<sup>SM</sup>

<b>USA</b>	12000 Portland Ave South, Burnsville, MN 55337, Phone: 952-884-4051, FAX: 952-884-0043
<b>Canada</b>	705 Progress Avenue, Unit 46, Scarborough, Ontario, Canada, M1H2X1, Phone: 416-431-4975, 800-881-1685, FAX: 416-431-4588
<b>Switzerland</b>	Keltenstrasse 11, CH-2563 IPSACH, Switzerland, Phone: 41/32-331-6833, FAX: 41/32-331-1221
<b>Germany</b>	Hirschberger Ring 45, D94315, Straubing, Germany, Phone: 49 9421-706 392, Fax: 49 9421-706 287
<b>France</b>	Parc de Courcerin, Allee Lech Walesa, Lognes, 77185 Marne La Vallee, France, Phone: 33/1-6480-0090, FAX: 33/1-6480-4538
<b>Australia</b>	Unit 23, Block C, Slough Business Park, Slough Avenue, Silverwater, N.S.W. 2128, Australia, Phone: 61/2-9648-3455, FAX: 61/2-9648-5585
<b>Hong Kong</b>	Unit E & F, 21/F, Luk Hop Industrial Bldg., 8 Luk Hop St., San PO Kong, Kowloon, Hong Kong, Phone: 852-2351-3628, FAX: 852-2351-3329
<b>Japan</b>	2-5-60 Izumi, Suginami-ku, Tokyo, Japan 168, Phone: 81-3-3325-7900, FAX: 81-3-3325-7789
<b>Singapore</b>	3015A Ubi Rd 1, 05-10, Kampong Ubi Industrial Estate, Singapore 408705, Phone: 65-746-8760, FAX: 65-746-1206
<b>Mexico</b>	Av. Parque Chapultepec #66-201, Col. El Parque Edo. Mex. 53390, Phone: (52) 5358-5434, FAX: (52) 5358-5588
<b>UK</b>	4, The Willows Centre, Willow Lane, Mitcham, Surrey CR4 4NX, UK, Phone: 44 181 640 9600, FAX: 44 181 646 7084
<b>Africa, Mid-East</b>	12000 Portland Ave South, Burnsville, MN 55337, Phone: 952-887-7424, FAX: 952-887-9212
<b>Latin America</b>	12000 Portland Ave South, Burnsville, MN 55337, Phone: 952-887-7491, FAX: 952-887-9212

www.electrovoice.com • Telex Communications, Inc. • www.telex.com

©Telex Communications, Inc. 6/2000 Part Number 535883-4.00

U.S.A. and Canada only.

For customer orders, contact the Customer Service department at 800/392-3497 Fax: 800/955-6831

For warranty repair or service information, contact the Service Repair department at 800/685-2606

For technical assistance, contact Technical Support at 800/392-3497

Please refer to User Guide Sheet for warranty information.

Specifications subject to change without notice.



**F R I  
S P E A K E R  
S Y S T E M S**

**General Product Description**

Two-way full-range passive system, with biamp option, in a vented trapezoidal enclosure. Includes a 15-inch woofer and a 2"/50mm voice coil compression driver on a user-rotatable 60° × 40° constant-directivity horn. Cloth coverable steel grille.

**Applications**

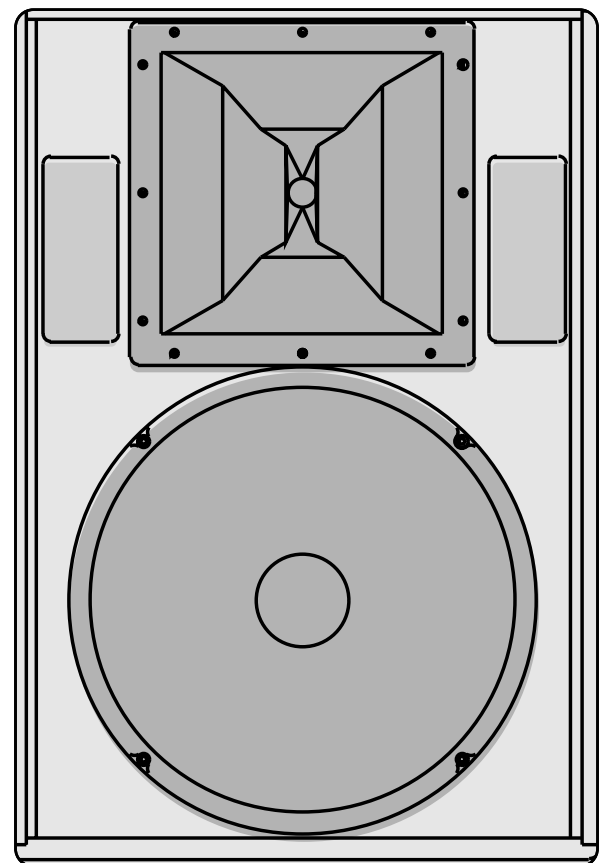
The FRi-152/64 uses EV's exclusive RMD™ (Ring-Mode Decoupling) to provide outstanding vocal clarity and intelligibility in a cost-effective two-way system. The versatile, compact enclosure features a comprehensive system of 3/8-16 threaded mounting/suspension points, to allow horizontal or vertical mounting. Simply rotate the horn to select the desired coverage pattern. The FRi series is 28-inches high, creating a uniform look in arrays. Five year warranty.

*Applications include:*

- |                   |            |
|-------------------|------------|
| Stadiums          | Arenas     |
| Houses of Worship | Discos     |
| Live music clubs  | Gymnasiums |

**Speaker Description**

<b>Part Number</b>	FRi-152/64-BLK
<b>LF Section &amp; Components</b>	DL15BFH 15-inch woofer in vented enclosure
<b>HF Section &amp; Components</b>	DH2t compression driver with 2-inch titanium diaphragm on a constant-directivity horn
<b>System Configuration</b>	Two-way, Full range
<b>Powering Configuration</b>	Passive or Biamp
<b>Recommended High-Pass Frequency (12 dB/octave min.)</b>	40 Hz
<b>Cabinet Type (shape)</b>	Trapezoidal
<b>Enclosure Materials</b>	13-ply Birch plywood
<b>Finish</b>	Black Acrylic
<b>Connectors</b>	Two barrier strips
<b>Suspension Hardware</b>	(12) 3/8-16 threaded mounting/suspension points (3 each on top and bottom, 2 per side, 2 on rear)
<b>Grille</b>	Powder-coated perforated 16GA steel
<b>Options</b>	WH - white acrylic finish UN - unfinished



# Specification Sheet FRi-152/64

## Speaker Characteristics

### Frequency Response (passive)

±3 dB	70 Hz-15 kHz
-10 dB	42 Hz-16 kHz

### Axial Sensitivity

(SPL/1 Watt/1m) Passive	98 dB
(SPL/1 Watt/1m) Biamp (LF/HF)	98/112 dB

### Impedance

Passive	8 ohms
Biamp (LH/HF)	8/8 ohms

### Power Handling

Passive	Long-term (EIA)	350 watts
	Short-term peak	1,400 watts
Biamp-LF	Long-term (EIA)	350 watts
	Short-term peak	1,400 watts
Biamp-HF	Long-term (AES)	60 watts
	Short-term peak	240 watts

### Calculated Maximum Output SPL

Peak	129 dB
Long Term	123 dB

### Nominal Coverage Angle

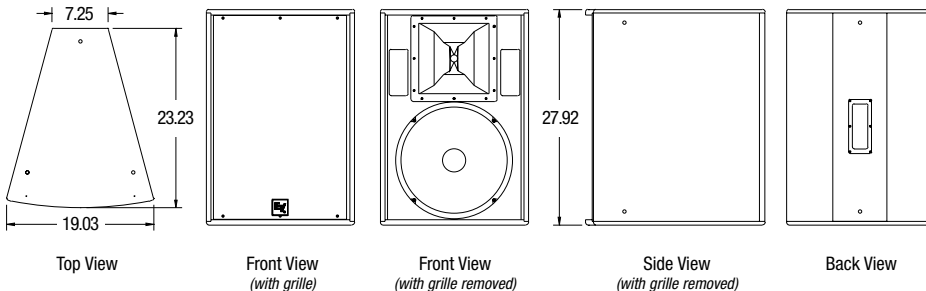
Horizontal (-6 dB)	60°
Vertical (-6 dB)	40°

### Dimensions

Height	27.92 in.	(711 mm)
Width at front	19.03 in.	(483 mm)
Width at back	7.25 in.	(185 mm)
Depth	23.23 in.	(589 mm)
Trapezoid Angle	15° per side	

### Weights

Net Weight	70 lb.	(31.8 kg)
Shipping Weight	82 lb.	(37.3 kg)



## Architectural Specifications

The two-way full range loudspeaker system shall incorporate a 15" LF transducer and a 2"/50mm voice coil HF compression driver.

The LF driver shall be mounted in a vented enclosure tuned for optimum low-frequency response. The HF driver shall be loaded on constant-directivity horn with a nominal coverage pattern of 60° (h) × 40° (v). An internal passive filter network shall provide acoustical crossover and system equalization. Input panel shall be easily changeable from passive to biamp operation via internal connector.

System frequency response shall vary no more than ±3 dB from 70 Hz to 15 kHz measured on axis. The loudspeaker shall produce a sound pressure level (SPL) of 98 dB on axis at 1 meter with a power input of 1 watt, and shall be capable of producing a full-power peak output of 129 dB on axis at 1 meter. It shall handle 350 watts of amplifier power long-term (EIA Standard), and shall have a nominal impedance of 8 ohms.

The loudspeaker enclosure shall be trapezoidal in shape. It shall be constructed of 13 ply void-free cross-grain-laminated Birch plywood and shall employ extensive internal bracing. It shall be finished in black acrylic. Input connectors shall be two at 2 terminal barrier strips. A total of twelve 3/8-16 threaded mounting/suspension points shall be provided, (three each on top and bottom, two per side, two on rear). The front of the loudspeaker shall be cloth coverable with a powder-coated perforated 16 GA steel grille.

The two-way full range loudspeaker shall be the Electro-Voice model FRi-152/64.



EVERYWHERE™

<b>USA</b>	12000 Portland Ave South, Burnsville, MN 55337, Phone: 952-884-4051, FAX: 952-884-0043
<b>Canada</b>	705 Progress Avenue, Unit 46, Scarborough, Ontario, Canada, M1H2X1, Phone: 416-431-4975, 800-881-1685, FAX: 416-431-4588
<b>Switzerland</b>	Keltenstrasse 11, CH-2563 IPSACH, Switzerland, Phone: 41/32-331-6833, FAX: 41/32-331-1221
<b>Germany</b>	Hirschberger Ring 45, D94315, Straubing, Germany, Phone: 49 9421-706 392, Fax: 49 9421-706 287
<b>France</b>	Parc de Courcerin, Allee Lech Walesa, Lognes, 77185 Marne La Vallee, France, Phone: 33/1-6480-0090, FAX: 33/1-6480-4538
<b>Australia</b>	Unit 23, Block C, Slough Business Park, Slough Avenue, Silverwater, N.S.W. 2128, Australia, Phone: 61/2-9648-3455, FAX: 61/2-9648-5585
<b>Hong Kong</b>	Unit E & F, 21/F, Luk Hop Industrial Bldg., 8 Luk Hop St., San PO Kong, Kowloon, Hong Kong, Phone: 852-2351-3628, FAX: 852-2351-3329
<b>Japan</b>	2-5-60 Izumi, Suginami-ku, Tokyo, Japan 168, Phone: 81-3-3325-7900, FAX: 81-3-3325-7789
<b>Singapore</b>	3015A Ubi Rd 1, 05-10, Kampong Ubi Industrial Estate, Singapore 408705, Phone: 65-746-8760, FAX: 65-746-1206
<b>Mexico</b>	Av. Parque Chapultepec #66-201, Col. El Parque Edo. Mex. 53390, Phone: (52) 5358-5434, FAX: (52) 5358-5588
<b>UK</b>	4, The Willows Centre, Willow Lane, Mitcham, Surrey CR4 4NX, UK, Phone: 44 181 640 9600, FAX: 44 181 646 7084
<b>Africa, Mid-East</b>	12000 Portland Ave South, Burnsville, MN 55337, Phone: 952-887-7424, FAX: 952-887-9212
<b>Latin America</b>	12000 Portland Ave South, Burnsville, MN 55337, Phone: 952-887-7491, FAX: 952-887-9212

U.S.A. and Canada only.

For customer orders, contact the Customer Service department at 800/392-3497 Fax: 800/955-6831

For warranty repair or service information, contact the Service Repair department at 800/685-2606

For technical assistance, contact Technical Support at 800/392-3497

Please refer to User Guide Sheet for warranty information.

Specifications subject to change without notice.

www.electrovoice.com • Telex Communications, Inc. • www.telex.com

©Telex Communications, Inc. 6/2000 Part Number 535882-4.00



**F R i**  
**S P E A K E R**  
**S Y S T E M S**

## General Product Description

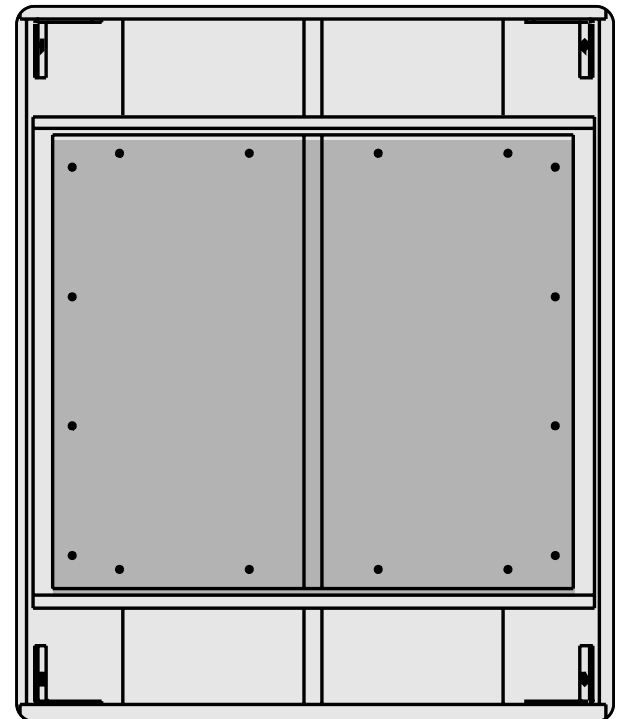
A dedicated passive 18-inch subwoofer system in a vented slot-loaded trapezoidal enclosure. Includes passive crossover to allow use with full-range signal. Secondary input connectors bypass crossover to accept bandpassed signal. Designed as a suspendible enclosure. Cloth coverable steel grille.

## Applications

The FRi-181S provides high output low bass response in an enclosure designed to compliment the other models in the FRi line. The vented slot loaded design extends LF response and improves output. The versatile, compact enclosure features a comprehensive system of 3/8-16 thread mounting/suspension points, to allow vertical or horizontal mounting. The FRi series is 28-inches high, creating a uniform look in arrays. Five year warranty.

*Applications include:*

Stadiums	Arenas
Houses of Worship	Discos
Live music clubs	Gymnasiums



## Speaker Description

<b>Part Number</b>	1152-3340
<b>Components &amp; Loading</b>	DL18BFH 18-inch woofer in vented slot load design
<b>System Configuration</b>	Dedicated Subwoofer
<b>Powering Configuration</b>	Passive or Biamp
<b>Recommended High-Pass Frequency (12 dB/octave min.)</b>	40 Hz
<b>Cabinet Type (shape)</b>	Trapezoidal
<b>Enclosure Materials</b>	13-ply Birch plywood
<b>Finish</b>	Black Acrylic
<b>Connectors</b>	Two barrier strips
<b>Suspension Hardware</b>	(16) 3/8-16 threaded mounting/suspension points (4 each top, bottom, sides)
<b>Grille</b>	Powder-coated perforated 16GA steel
<b>Options</b>	WH - white acrylic finish UN - unfinished

# Specification Sheet FRi-181S

## Speaker Characteristics

### Frequency Response (passive)

±3 dB	45 Hz-160 Hz
-10 dB	36 Hz-250 Hz

### Axial Sensitivity (full-space/half-space)

(SPL/1 watt/1m)	97 dB/100 dB
-----------------	--------------

### Impedance

8 ohms

### Power Handling

Passive	Long-term (EIA)	400 watts
	Short-term peak	1,600 watts

### Calculated Maximum Output SPL (full-space/half-space)

Peak	129/132 dB
Long Term	123/126 dB

### Nominal Coverage Angle

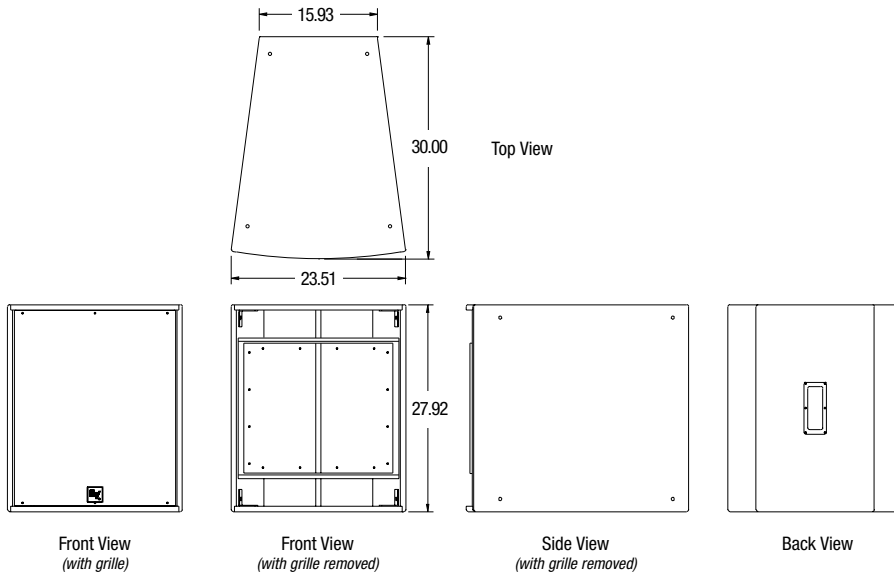
Horizontal (-6 dB)	300°
Vertical (-6 dB)	270°

### Dimensions

Height	27.92 in.	(711 mm)
Width in front	23.51 in.	(597 mm)
Width in back	15.93 in.	(404 mm)
Depth	30.00 in.	(762 mm)
Trapezoid Angle	7.5° per side	

### Weights

Net Weight	100 lb.	(45.5 kg)
Shipping Weight	110 lb.	(50.0 kg)



## Architectural Specifications

The subwoofer loudspeaker system shall incorporate one passive or biampable 18" LF transducer mounted in a vented, slot-loaded enclosure tuned for optimum low frequency response.

System frequency response shall vary no more than ±3 dB from 45 Hz to 160 Hz measured on axis. The loudspeaker shall produce a sound pressure level (SPL) of 97 dB (100 dB half-space) on axis at 1 meter with a power input of 1 watt, and shall be capable of producing a peak output of 129 dB (132 dB half-space) on axis at 1 meter. The loudspeaker shall handle 400 watts of amplifier power long-term (EIA Standard), and shall have a nominal impedance of 8 ohms.

The loudspeaker enclosure shall be trapezoidal in shape. It shall be constructed of 13 ply void-free cross-grain-laminated Birch plywood and shall employ extensive internal bracing. It shall be finished in black acrylic. Input connectors shall be two at 2 terminal barrier strips. A total of sixteen 3/8-16 threaded mounting/suspension points (4 each top, bottom, sides) shall be provided. The front of the loudspeaker shall a cloth coverable powder-coated perforated 16 GA steel grille.

The sub bass loudspeaker shall be the Electro-Voice model FRi-181S.



EVERYWHERE<sup>SM</sup>

<b>USA</b>	12000 Portland Ave South, Burnsville, MN 55337, Phone: 952-884-4051, FAX: 952-884-0043
<b>Canada</b>	705 Progress Avenue, Unit 46, Scarborough, Ontario, Canada, M1H2X1, Phone: 416-431-4975, 800-881-1685, FAX: 416-431-4588
<b>Switzerland</b>	Keltenstrasse 11, CH-2563 IPSACH, Switzerland, Phone: 41/32-331-6833, FAX: 41/32-331-1221
<b>Germany</b>	Hirschberger Ring 45, D94315, Straubing, Germany, Phone: 49 9421-706 392, Fax: 49 9421-706 287
<b>France</b>	Parc de Courcerin, Allee Lech Walesa, Lognes, 77185 Marne La Vallee, France, Phone: 33/1-6480-0090, FAX: 33/1-6480-4538
<b>Australia</b>	Unit 23, Block C, Slough Business Park, Slough Avenue, Silverwater, N.S.W. 2128, Australia, Phone: 61/2-9648-3455, FAX: 61/2-9648-5585
<b>Hong Kong</b>	Unit E & F, 21/F, Luk Hop Industrial Bldg., 8 Luk Hop St., San PO Kong, Kowloon, Hong Kong, Phone: 852-2351-3628, FAX: 852-2351-3329
<b>Japan</b>	2-5-60 Izumi, Suginami-ku, Tokyo, Japan 168, Phone: 81-3-3325-7900, FAX: 81-3-3325-7789
<b>Singapore</b>	3015A Ubi Rd 1, 05-10, Kampong Ubi Industrial Estate, Singapore 408705, Phone: 65-746-8760, FAX: 65-746-1206
<b>Mexico</b>	Av. Parque Chapultepec #66-201, Col. El Parque Edo. Mex. 53390, Phone: (52) 5358-5434, FAX: (52) 5358-5588
<b>UK</b>	4, The Willows Centre, Willow Lane, Mitcham, Surrey CR4 4NX, UK, Phone: 44 181 640 9600, FAX: 44 181 646 7084
<b>Africa, Mid-East</b>	12000 Portland Ave South, Burnsville, MN 55337, Phone: 952-887-7424, FAX: 952-887-9212
<b>Latin America</b>	12000 Portland Ave South, Burnsville, MN 55337, Phone: 952-887-7491, FAX: 952-887-9212

www.electrovoice.com • Telex Communications, Inc. • www.telex.com

©Telex Communications, Inc. 6/2000 Part Number 535885-4.00

U.S.A. and Canada only.

For customer orders, contact the Customer Service department at 800/392-3497 Fax: 800/955-6831

For warranty repair or service information, contact the Service Repair department at 800/685-2606

For technical assistance, contact Technical Support at 800/392-3497

Please refer to User Guide Sheet for warranty information.

Specifications subject to change without notice.