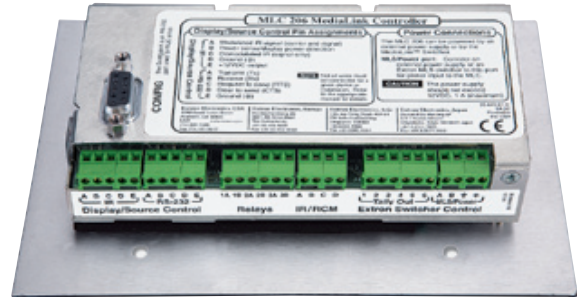


# MLC 206 Series

MediaLink™ Controllers



MLC 206 front view



MLC 206 rear view

## COMMON FEATURES

- **RS-232 port for universal display control** — The MLC 206 provides universal display control via downloadable RS-232 or IR drivers, IR learning capabilities, or user-defined RS-232 commands.
- **Three configurable relays for control of room functions** — Allows for simplified and centralized control of room functions such as lighting and screen settings.
- **Support for optional IRCM - Infrared Control Modules** — For controlling external sources, such as DVD players and VCRs
- **IR learning capability**
- **Inactivity timer for display shutoff** — Preserves energy, prevents plasma burn-in, and extends projector lamp life.
- **Volume control knob for display or MediaLink Switcher**
- **Flexible mounting options** — MLC 206 Series controllers can be mounted on a wall, desk, or lectern. Optional mounting kits are available.
- **Pre-printed button labels included**
- **Custom button labeling** — Pre-printed input button labels, which include text and pictures of commonly used devices and functions, are included for quick and easy setup of the control panel.
- **External universal power supply included**, part # 70-055-01 — Provides worldwide power compatibility. Can also be powered via MediaLink Switcher.

## DESCRIPTION

The Extron **MLC 206** MediaLink Controllers are easy-to-use and economical tools for controlling A/V equipment in any small classroom or boardroom. Presenters with little or no training can walk into any multimedia classroom and operate the A/V system. The MLC 206 standardizes the control interface for all systems, making display systems simple to use. No matter what type of display is used, the control interface remains the same. Standardization also makes setup and maintenance easier to support.

The flexible MLC 206 acts as an extended remote control panel. It is not a switcher; instead, it tells the display when to switch between its various inputs. The MLC 206 offers universal display control; it controls a display's power on/off, input switching, and volume control. The MLC 206 offers intuitive equipment and room control with user-defined, clearly labeled buttons and one-button functionality. The room control features of the MLC 206 can be configured to control functions such as screen settings or room lights. The MLC 206 is housed in a secure enclosure with labels that are not easily altered. It has the same look and functionality no matter where it is mounted: in a lectern, desk, wall, rack, or wall box.

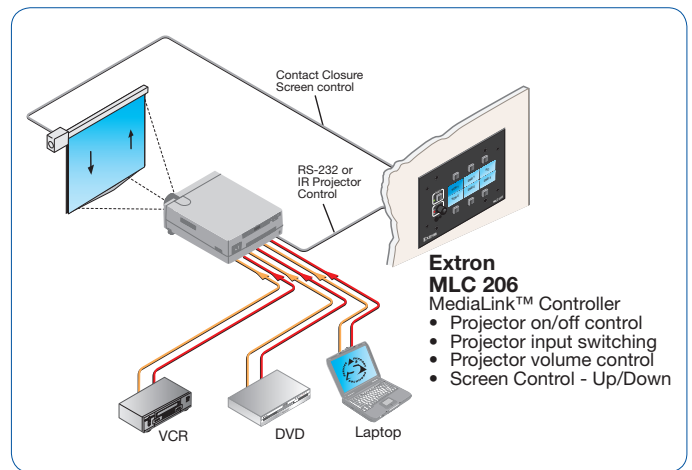
## System Configuration

Extron creates and administers a wide selection of commonly used display control drivers. These RS-232 or IR drivers enable the MLC 206 to communicate with a display device and control basic display functions such as power, input selection, and volume adjustment. Users can create their own drivers or go to the Extron Web site to download RS-232 or IR drivers for the latest and most popular display devices.

The MLC 206 is also designed to work with many Extron switchers, especially the MediaLink Switchers which are specifically designed to complement MediaLink Controllers. MediaLink Switchers are available to accommodate a variety of video, RGBHV, and audio signals while providing unique features that expand A/V system capabilities. Some versions also incorporate audio amplifiers in mono or stereo configurations.

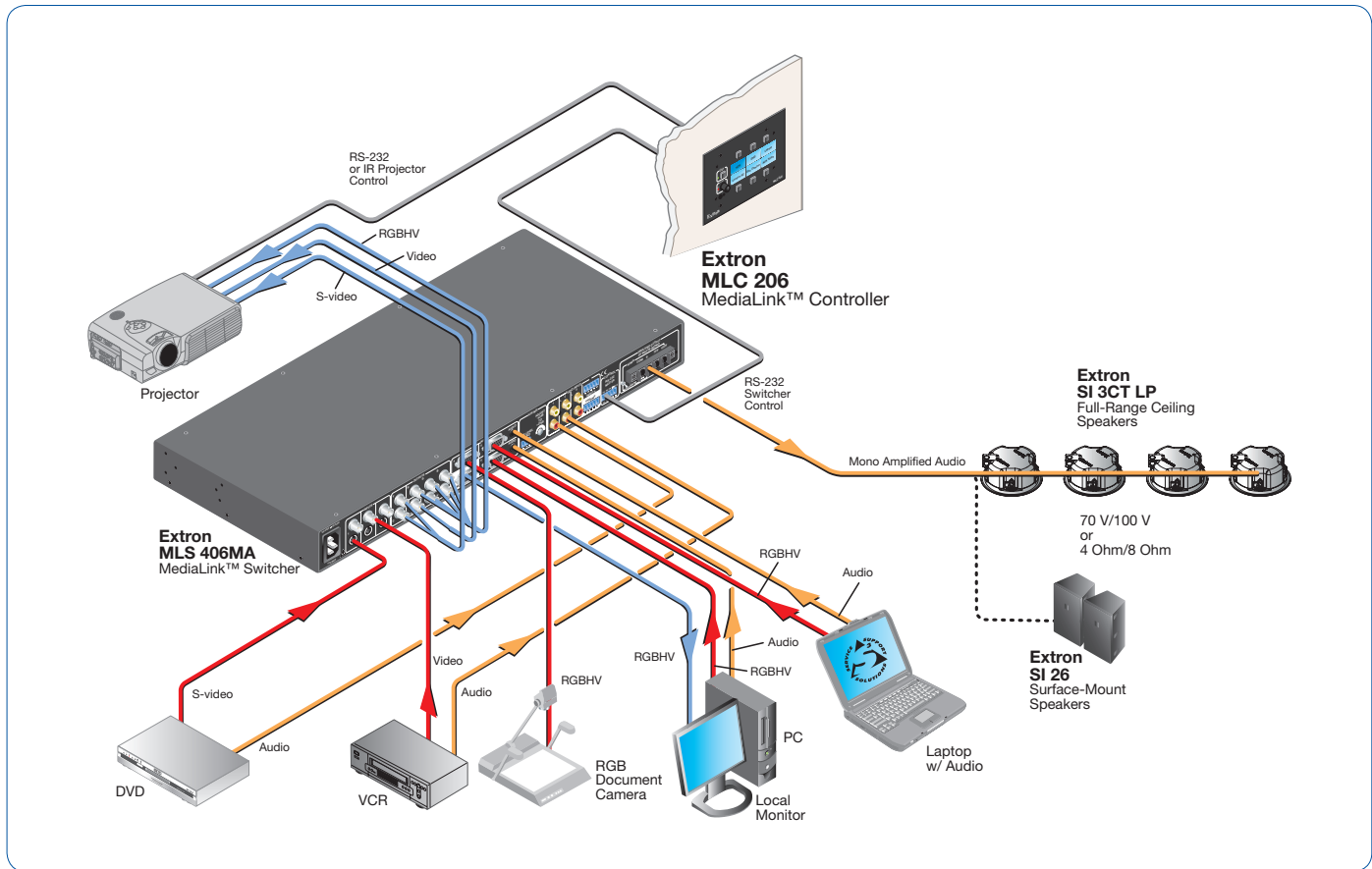
## Mounting Options

MLC 206 Series Controllers are offered in various sizes to accommodate numerous architecturally compatible possibilities. The MLC 206 is available without a faceplate. It also ships with a three-gang wall plate. The MLC 206 AAP ships with a five-gang wall plate and includes an opening to accommodate four single space Architectural Adapter Plates. Blank AAPs are not included. The MLC 206 L utilizes a low profile lectern mounting kit that mounts in a rack or wall using an Extron UCM RAAP or UCM 10X8P Universal Controller Mounting Kit; mounts on a desk using an Extron SMB 203 L Lectern Series Mount Box.



Continued →

MLC 206 Series



## MLC 206

MediaLink™ Controllers

**UNIQUE FEATURES**

- Three-gang faceplate
- MR 300 Mud Ring included



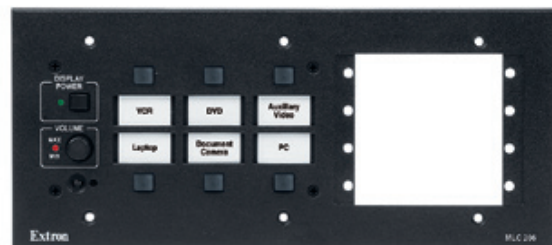
MODEL	VERSION DESCRIPTION	PART #
MLC 206	Black .....	60-385-02
MLC 206	White .....	60-385-03
MLC 206	RAL9010 White .....	60-385-05

## MLC 206 AAP

MediaLink™ Controller with AAP Opening

**UNIQUE FEATURES**

- Five-gang faceplate
- Opening for up to four single space AAP - Architectural Adapter Plates; AAPs sold separately
- MR 500 Mud Ring included



MODEL	VERSION DESCRIPTION	PART #
MLC 206 AAP	Black .....	60-460-02
MLC 206 AAP	White .....	60-460-03
MLC 206 AAP	RAL9010 White .....	60-460-05

Continued →

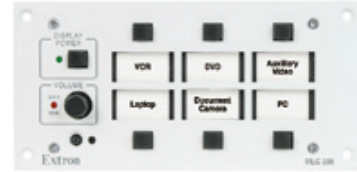
MLC 206 Series

# MLC 206 EC

MediaLink™ Controllers

**UNIQUE FEATURES**

- Designed for European cable channel systems



MODEL	VERSION DESCRIPTION	PART #
MLC 206 EC	RAL9010 White .....	60-385-10

# MLC 206 AAP EC

MediaLink™ Controller for European Cable Channel with AAP Opening

**UNIQUE FEATURES**

- Designed for European cable channel systems
- Opening for up to four single space AAP - Architectural Adapter Plates; AAPs sold separately



MODEL	VERSION DESCRIPTION	PART #
MLC 206 AAP EC	RAL9010 White .....	60-460-10

# MLC 206 L

MediaLink™ Controller with Lectern Faceplate

**UNIQUE FEATURES**

- Low profile, 3.2" (8.1 cm) tall faceplate fits into a compact space on a lectern or desk
- Mounts in a rack or wall using an Extron UCM RAAP or UCM 10X8P Universal Controller Mounting Kit; mounts on a desk using an Extron SMB 203 L Lectern Series Mount Box



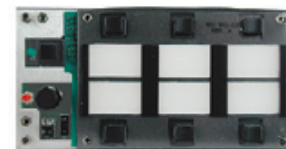
MODEL	VERSION DESCRIPTION	PART #
MLC 206 L	Black .....	60-385-32
MLC 206 L	White .....	60-385-33
MLC 206 L	RAL9010 White .....	60-385-35

# MLC 206 Controller Only

MediaLink™ Controller - No Faceplate

**UNIQUE FEATURES**

- No faceplate for custom installations
- For use with any of the MLM 206 Series mounting options



MODEL	VERSION DESCRIPTION	PART #
MLC 206 Controller Only	Controller Only - No Faceplate .....	60-385-00

Continued →

## MLC 206 Series

### MLC 206 Series Accessories

INCLUDED ACCESSORIES	MODEL DESCRIPTION	PAGE	PART #
EPS 1210 B	Extron Desktop Power Supply - 12VDC, 2A	page 694	70-055-01
UC50' (50' / 15 m)	Universal Projector Control Cable 50' (15.2 m)	page 419	26-518-01
IR Emitter and Shield Kit	IR Emitter Kits	page 416	70-283-01
OPTIONAL ACCESSORIES	MODEL DESCRIPTION	PAGE	PART #
IPL T S2	Two Serial Port IP Link® Ethernet Control Interface	page 474	60-544-81
IPL T S4	Four Serial Port IP Link® Ethernet Control Interface	page 474	60-544-83
MLC PW/RS-232/VC-35'	One Power, Switcher Communications and MPA Volume Control Cable - Plenum, 35' (10.6 m)	page 419	26-626-35
IRCM-DV+	Dual-Function DVD and VCR IR Control Module - Quad Space AAP	page 393	70-220-02
MLA-Remote	Handheld IR Remote Control For the MLC 206	n/a	70-154-01
MLS 304MA	Four Input MediaLink™ Switcher with Mono Audio Amplifier	page 435	60-550-01
MLS 406SA	Six Input MediaLink™ Switcher with Stereo Audio Amplifier	page 439	60-560-03
MLS 506SA	Six Input MediaLink™ Switcher with Stereo Audio Amplifier	page 442	60-386-04
MPA 122	22 Watt Two Channel Integrated MPA - Mini Power Amplifier	page 658	60-668-01
MPA 181T	70 Volt 18 Watt Mono Integrated MPA - Mini Power Amplifier	page 659	60-747-01
MLM 206 L	Replacement Lectern Mounting Kit for the MLC 206 L	page 406	60-387-02
UCM RAAP	Universal Controller Mounting Rack Kit	page 410	70-344-02
SMB 103	Three-Gang Surface Mounting Box	page 824	60-641-02

### SPECIFICATIONS

#### CONTROL / REMOTE – CONTROLLER

Serial control port	RS-232, 9-pin female D connector
Baud rate and protocol	9600, 8-bit, 1 stop bit, no parity
Serial control pin configurations	2 = TX, 3 = RX, 5 = GND
Slave switcher control port	(1) 3.5 mm direct insertion captive screw connector, 4 pole
Program control	Extron's control/configuration program for Windows® Extron's Simple Instruction Set (SIS™)

#### CONTROL – ROOM RELAYS

Number / Type	3 momentary or latching (configurable via control software)
Connectors	(1) 3.5 mm direct insertion captive screw connector, 6 pole
Contact rating	24 V, 1 A

#### CONTROL – PROJECTOR / SOURCE

Display / Source control port (IR)	(1) 3.5 mm direct insertion captive screw connector, 5 pole
Display / Source control port (RS-232)	(1) 3.5 mm direct insertion captive screw connector, 5 pole
IR learning frequencies	30 kHz to 62 kHz
IR learning distance	4" (10 cm) to 14" (36 cm) from the MLC's faceplate

#### GENERAL

Power	Supplied by an optional MediaLink Switcher (MLS) or the included external power supply
External power supply	100 VAC to 240 VAC, 50/60 Hz, external, autoswitchable; to 12 VDC, 1 A, regulated
Power input requirements	12 VDC, 0.38 A
Temperature / Humidity	Storage: -40 to +158 °F (-40 to +70 °C) / 10% to 90%, noncondensing Operating: +32 to +122 °F (0 to +50 °C) / 10% to 90%, noncondensing
Rack mount	Yes, with optional MLM-RAAP rack mounting kit; also furniture or wall-mountable
Enclosure type	Metal
Enclosure dimensions	
Faceplate	
MLC 206	4.5" H x 6.4" W x 0.1" D (11.4 cm H x 16.3 cm W x 0.3 cm D) (3 gang)
MLC 206 L	3.2" H x 6.5" W x 0.1" D (8.1 cm H x 16.5 cm W x 0.3 cm D)
MLC 206 EC	3.2" H x 6.3" W x 0.1" D (8.1 cm H x 16.0 cm W x 0.3 cm D)
MLC 206 AAP EC	3.2" H x 9.8" W x 0.1" D (8.1 cm H x 24.9 cm W x 0.3 cm D)
MLC 206 AAP	4.5" H x 10.1" W x 0.1" D (11.4 cm H x 25.7 cm W x 0.3 cm D) (5 gang)
Controller (all models)	2.75" H x 5.25" W x 1.2" D (fits in a 3 gang box) (7.0 cm H x 13.3 cm W x 3.1 cm D) (Depth excludes connectors and knobs. Allow at least 1.75" depth within the wall or furniture.)
Product weight	
MLC 206	1.7 lbs (0.8 kg)
MLC 206 L, MLC 206 EC	0.7 lbs (0.3 kg)
MLC 206 AAP EC	0.7 lbs (0.3 kg)
MLC 206 AAP	0.8 lbs (0.4 kg)
Shipping weight (all models)	6 lbs (3 kg)
Vibration	ISTA 1A in carton (International Safe Transit Association)
Listings	UL, CUL
Compliances	CE, FCC Class A, VCCI, AS / NZS, ICES
MTBF	30,000 hours
Warranty	3 years parts and labor

NOTE: All nominal levels are at ±10%. Specifications are subject to change without notice.