

*The*  
**POWER** *In*  
**PRESENTATION PRODUCTS**



**Instruction Book for  
DESIGNER ELECTROL®**



**DA-LITE SCREEN COMPANY, INC.**

3100 North Detroit Street  
Post Office Box 137  
Warsaw, Indiana 46581-0137  
Phone: 574-267-8101  
800-622-3737  
Fax: 574-267-7804  
Toll Free Fax: 877-325-4832  
www.da-lite.com  
e-mail: info@da-lite.com

## PRE-INSTALLATION

Before proceeding with the installation of the screen, please read the installation and operations instructions thoroughly!



**CAUTION!** Do not cut wrapping paper or tape with knife or any sharp tool. Pull orange string.

1. Carefully unpack the screen and remove the outer wrapping.
2. **Always handle screen in upright position.**
3. Remove the front cover of the screen from the back of the screen. Lift front cover up approximately 1/2" and pull away from back of screen. See Figure 1.
4. There are two methods of mounting the screen: suspended from ceiling and wall mounted. See Figure 2.  
**NOTE:** Allow 1/2" above screen (when mounted) for front cover of screen installation and removal.
5. Picture surface is centered in case. Case extends 5-1/2" beyond surface on either end. Do not attach anything to screen slat on the bottom of the screen.

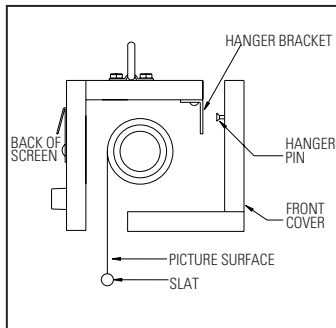


FIGURE 1

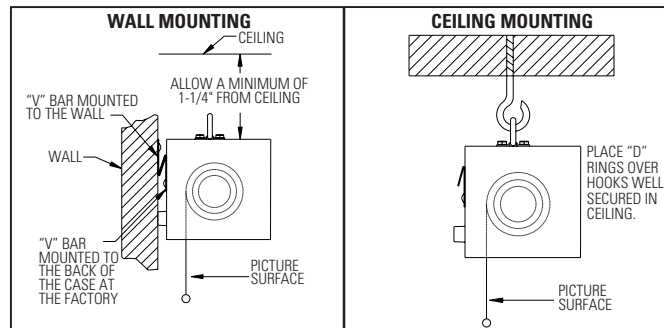


FIGURE 2

## INSTALLATION

1. Hang screen from wall or ceiling.

### FOR WALL MOUNTING

#### HARDWARE PROVIDED

- 2 – “V” Bars ( one is factory mounted to the back of the case; one will be mounted to the wall)
- 6 – Toggle Bolts, 4"
- 6 – Lead Shields, #10-14 x 1 1/2"
- 6 – Phillips Flat Head Wood Screws, #10 x 2"

#### TOOLS REQUIRED

- Electric Drill
- Masonry Bit 5/16" (if mounting in solid masonry or concrete)
- Screw Driver, #2 Flat Tip (if using toggle bolts) or #2 Phillips (if mounting in solid masonry or concrete)

Determine the height of the top of the case from the floor. This will be the height of the wall mounted “V” bar.

Hold the loose “V” bar to the wall at the height determined above (MAKE SURE IT IS LEVEL), and mark the location for the screw holes. To mount the “V” bar on solid concrete or masonry wall, drill 5/16" holes and insert the lead shields. Fasten the “V” bar to the wall using the #10 x 2" wood screws. If you are mounting to a hollow wall, drill 1/2" holes and insert the toggle bolts. Then fasten the “V” bar to the wall with the toggle bolts. Now set the case in place on the wall with the “V” bar of the case nestled into the “V” bar on the wall.

### FOR CEILING MOUNTING

Position and properly anchor screw hooks into ceiling, beam or other solid surface. Then proceed to use the two “D” rings that are factory mounted to the top of the case to hang the case securely.

2. Remove black tape from slat.
3. Install electrical hook-up that applies to your unit. Make sure to review your electrical installation checklist and wiring diagrams (included) for either 120 volt switch, 220/240 volt switch or low voltage control. See Figure 3.
4. Test installation by running screen up and down a few times. Be prepared to stop screen. Standard Duty Cycle: 1 MIN. ON / 3 MIN. OFF.

**NOTE: Must be installed in accordance with the requirements of the Local Building Codes, the Canadian Electrical Code (CEC), CAN/CSA C22.1 and the National Electric Code (NEC), NFPA 70.**

## SCREEN ADJUSTMENT FOR 120V SCREENS

Screen travel is stopped automatically in the down and up positions by the limit switches that are preset at the factory. If it's necessary to adjust for more or less drop follow the steps below. The case cover must be removed to access the motor limit switches.

Remove the case cover screw from both ends of the screen. See figure 4. Be sure to hold the cover while removing the screws.

Rotate the cover up and away from the case until it can be removed.

### SETTING THE DOWN LIMIT POSITION

TO REDUCE SCREEN DROP:

Turn the white limit switch screw clockwise to decrease the amount of screen drop. Run the screen down to test the stop position. If the screen drops too far, raise the screen about one foot and adjust the limit switch again. Repeat until the desired position is set.

TO INCREASE SCREEN DROP:

Turn the white limit switch screw counterclockwise to increase the amount of screen drop. Run the screen down to test the stop position. If the screen does not drop enough, raise the screen about one foot and adjust the limit switch again. Repeat until the desired position is set. Do not adjust for more drop than what was ordered. At least 1-1/2 wraps of fabric must remain on the roller.

### SETTING THE UP LIMIT POSITION

**CAUTION:** Do not allow the slat bar to wrap over the top of the roller when the screen is rolling into the case. The screen could be damaged.

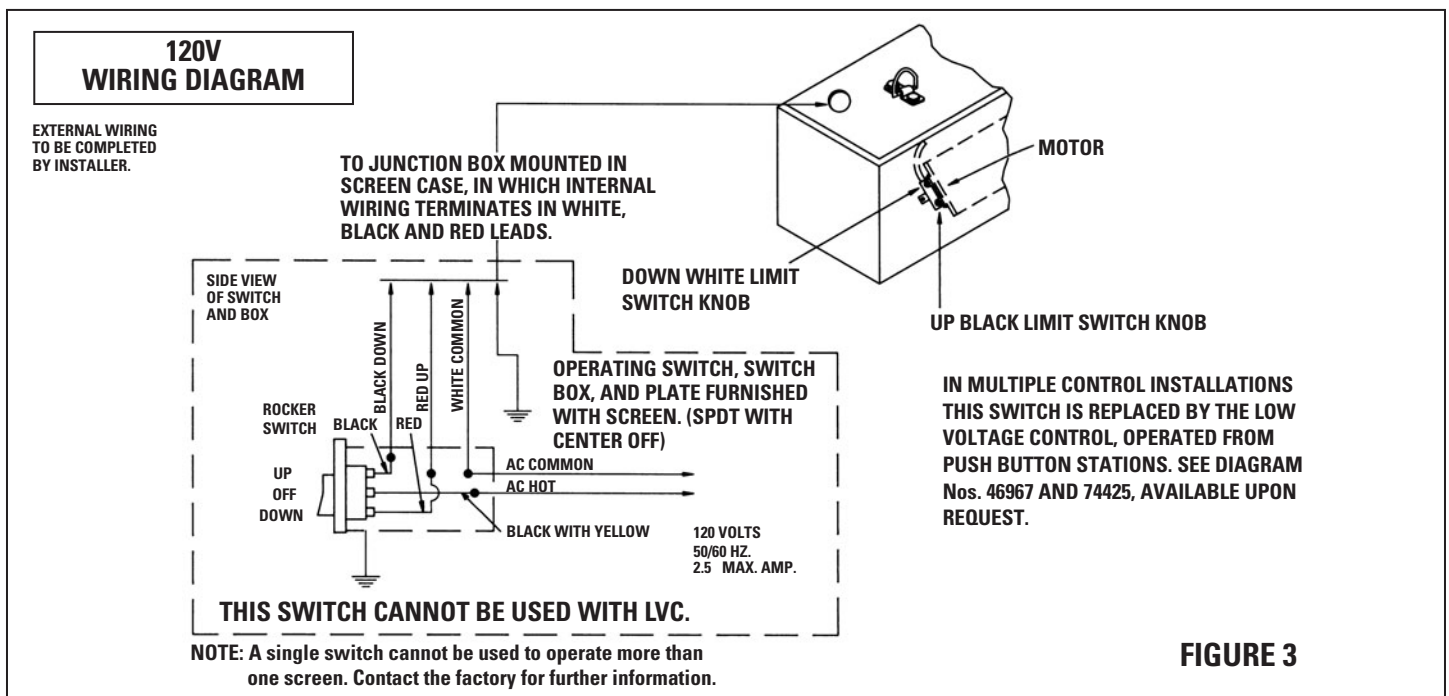
SCREEN TRAVELS INTO CASE TOO FAR:

Turn the black limit switch screw clockwise to decrease the amount of travel. Run the screen up to test the stop position. If the screen does not stop properly, lower the screen about one foot and turn the limit switch again. Repeat until the desired position is set.

SCREEN DOES NOT TRAVEL FAR ENOUGH INTO CASE:

Turn the black limit switch screw counterclockwise to increase the amount of up travel. Run the screen up to test the stop position. If more travel is desired, lower the screen about one foot and adjust the limit switch again. Repeat until the desired position is set.

## DESIGNER ELECTROL® INSTALLATION



**FIGURE 3**

## SCREEN ADJUSTMENT FOR 220/240V SCREENS

Screen travel is stopped automatically in the down and up positions by the limit switches that are preset at the factory. If it's necessary to adjust for more or less drop follow the steps below. The case cover must be removed to access the motor limit switches.

Remove the case cover screw from both ends of the screen. See figure 4. Be sure to hold the cover while removing the screws.

Rotate the cover up and away from the case until it can be removed.

### SETTING THE DOWN LIMIT POSITION

TO REDUCE SCREEN DROP:

Turn the white limit switch screw clockwise to decrease the amount of screen drop. Run the screen down to test the stop position. If the screen drops too far, raise the screen about one foot and adjust the limit switch again. Repeat until the desired position is set.

TO INCREASE SCREEN DROP:

Turn the white limit switch screw counterclockwise to increase the amount of screen drop. Run the screen down to test the stop position. If the screen does not drop enough, raise the screen about one foot and adjust the limit switch again. Repeat until the desired position is set. Do not adjust for more drop than what was ordered. At least 1-1/2 wraps of fabric must remain on the roller.

### SETTING THE UP LIMIT POSITION



**CAUTION: Do not allow the slat bar to wrap over the top of the roller when the screen is rolling into the case. The screen could be damaged.**

SCREEN TRAVELS INTO CASE TOO FAR:

Turn the red limit switch screw clockwise to decrease the amount of travel. Run the screen up to test the stop position. If the screen does not stop properly, lower the screen about one foot and turn the limit switch again. Repeat until the desired position is set.

SCREEN DOES NOT TRAVEL FAR ENOUGH INTO CASE:

Turn the red limit switch screw counterclockwise to increase the amount of up travel. Run the screen up to test the stop position. If more travel is desired, lower the screen about one foot and adjust the limit switch again. Repeat until the desired position is set.

## DESIGNER ELECTROL® INSTALLATION

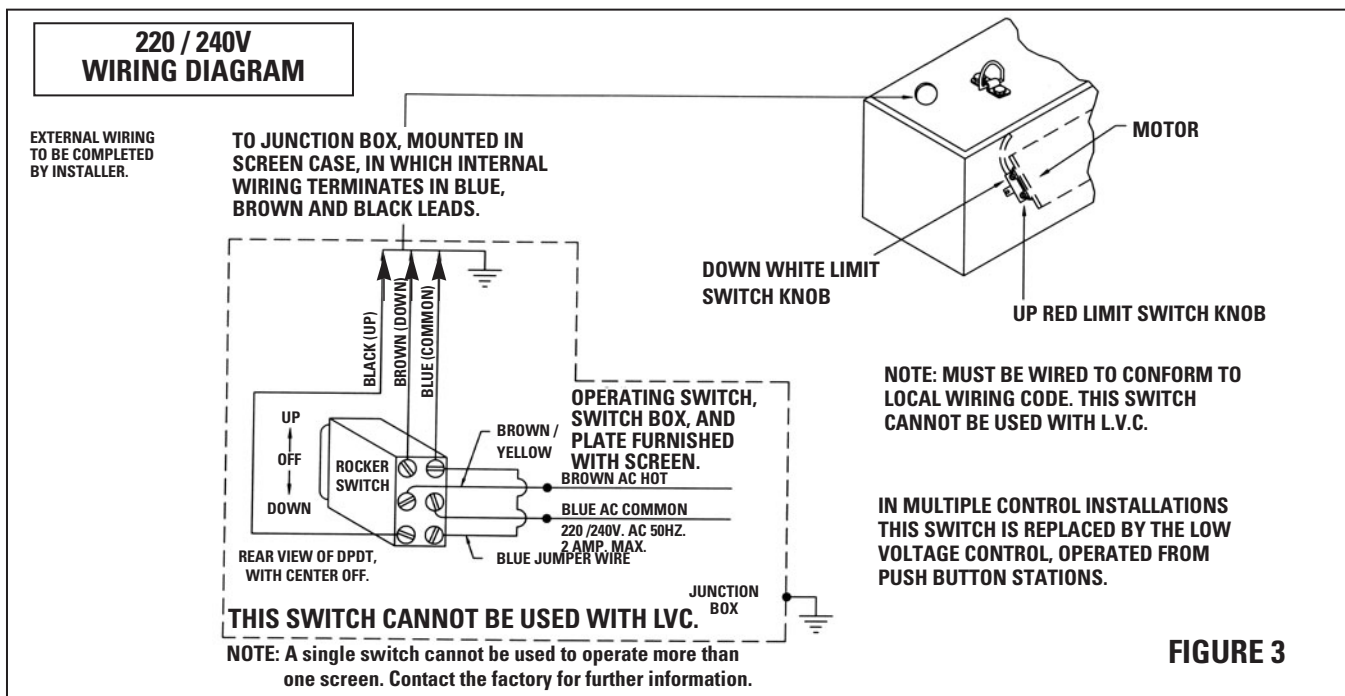
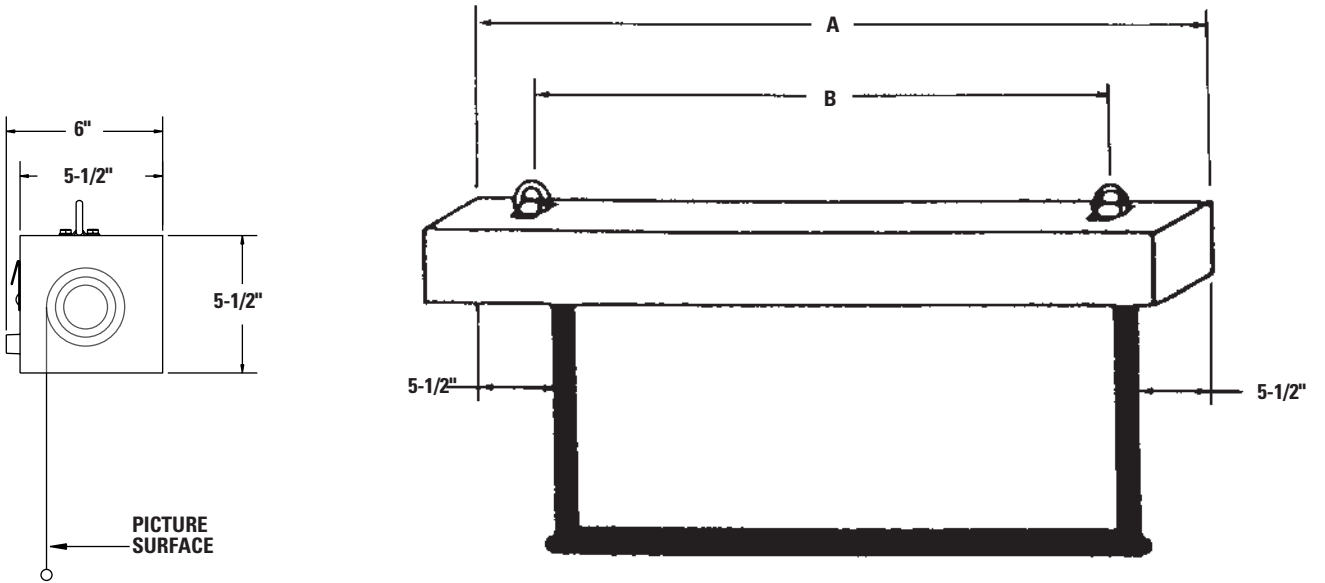


FIGURE 3

**DESIGNER ELECTROL® INSTALLATION**



**A = FABRIC WIDTH + 11"**  
**B = FABRIC WIDTH**

## TROUBLESHOOTING

SYMPTOM	CAUSE	SOLUTION
<p>1. Screen will not operate. Motor does <b>not</b> hum.</p> <p>Motor <b>hums</b>.</p>	<p>(a) Incorrect line voltage.</p> <p>(a) Blown fuse. (b) Tripped circuit breaker. (c) No power to operating switch or junction.</p> <p>Power at junction box</p> <p>(d) Thermal overload tripped. (e) Broken wire in the <b>"up"</b> or <b>"down"</b> position. (f) Defective motor, limit switch or capacitor. (g) Temporary binding. (h) Capacitor burned out.</p>	<p>(a) Verify 115-125V (or 220-240V). If insufficient voltage, rewire incoming electric line. (a) Replace fuse. (b) Reset circuit breaker. (c) Check above. Tighten all loose wire connections. Correct any improper connections.</p> <p><b>"Down" Position</b> Check for power across black and white leads.</p> <p><b>"Up" Position</b> Check for power across red and white leads.</p> <p>(d) Let motor cool down for 15 minutes. Try again. (e) Check for continuity. Cut off old splice and reconnect. (f) Replace motor assembly. <b>NOTE: Motor is a sealed assembly.</b> (g) With power <b>"off"</b>, turn roller by hand to free binding. (h) Replace motor assembly.</p>
<p>2. Incorrect stopping position in <b>downward</b> direction.</p>	<p>(a) Lost roller wrap. (b) <b>"Down"</b> limit switch out of adjustment</p>	<p>(a) See instructions below. (b) See installation instructions.</p>
<p>3. Incorrect stopping position in <b>upward</b> direction.</p>	<p>(a) Lost roller wrap. (b) <b>"Up"</b> limit switch out of adjustment</p>	<p>(a) See instructions below. (b) Adjust <b>"up"</b> limit switch. Turn clockwise to expose more fabric. See installation instructions</p>
<p>4. Noise. <b>NOTE: Screen will operate with a low pitched hum.</b></p>	<p>(a) Squeaking rubber end plug rubbing on motor. (b) Grinding due to foreign object in screen rubbing on roller or fabric. (c) Gear noise.</p>	<p>(a) Adjust roller to center of case. (b) Remove foreign object. (c) Replace motor assembly.</p>
<p>5. Coasting.</p>	<p>(a) Defective brake.</p>	<p>(a) Replace motor assembly.</p>
<p>6. Roller displaced from mounting bracket.</p>	<p>(a) Pin end slipped out of nylon bearing.</p>	<p>(a) Remove pin end mounting. Re-align motor in tube. Re-attach pin end.</p>