

KEY FEATURES

- Fully Rotatable Asymmetrical Horn for use in any cabinet
- Externally Switchable Biamp or Passive Operation

QRx-212/75

Dual 12-inch Full-Range Loudspeaker System



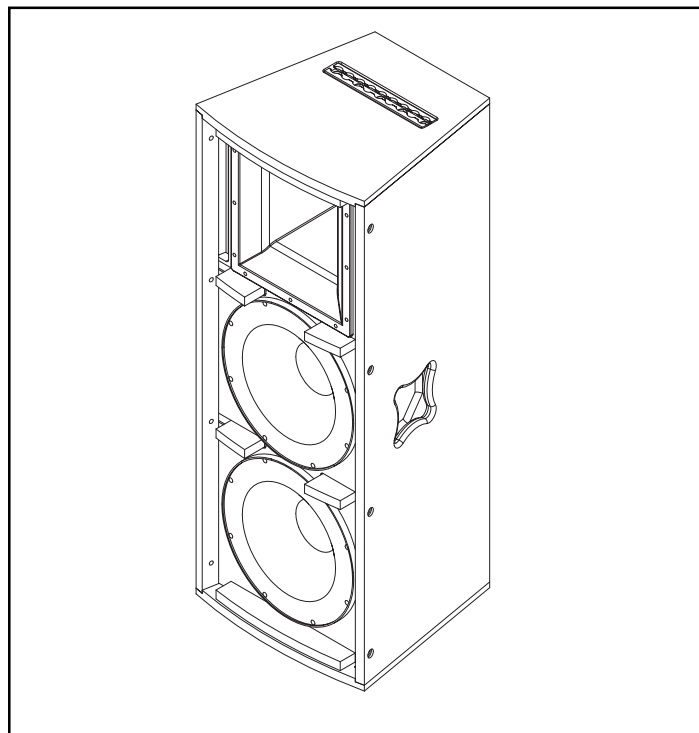
General Product Description

The QRx-212/75 is two-way, full-range loudspeaker system incorporating two 12-inch woofers and a 3-inch voice coil compression driver on an asymmetrical 75-degree x 50-degree fully rotatable constant-directivity horn. In factory delivered position, this provides a 15-degree up/35-degree down vertical coverage pattern. The trapezoidal cabinet design allows this main PA system cabinet to easily conform to multi-cabinet arrangements or limited space clearances without sacrificing internal volume. The fully rotatable horn means regardless of cabinet position, pattern control is user-determined. The QRx-212/75 is a good solution for medium size rooms and audiences as a main PA providing moderate levels with good bass response and added punch in the lower and mid frequencies, satisfying most DJ and live band applications. The asymmetrical horn can allow a single box to more adequately direct the high frequencies as needed, as well as streamline multi-cabinet arrays when rotated by extending horizontal coverage while minimizing overlapping and allowing tighter packs between the cabinets.

Architects' and Engineers' Specifications

The two-way, full-range loudspeaker system shall incorporate two 12-inch transducers with cast aluminum baskets as the LF components and one 3-inch diameter voice coil/diaphragm compression driver as the HF component. The compression driver shall be mounted on a 75-degree x 50-degree asymmetrical constant directivity horn with a factory delivered position of 15 degrees up/35 degrees down/50 degrees horizontal configuration. The horn shall be constructed of a material and design so as to be capable, structurally, of supporting the HF driver without any internal braces or suspensions, allowing a full 360-degree rotation of the horn. The enclosure shall be included, providing crossover filters for component band passes and nominal system voicing. The input panel shall incorporate two switches, allowing external configuration between biamped or passive operation. Input connections shall be accommodated with two paralleled NL4 female Speakon® connectors.

Loudspeaker system frequency response shall be no less than 52 Hz to 16 kHz (-3 dB) measured on axis. The loudspeaker shall produce a sound pressure level (SPL) of 102 dB on axis at 1 meter with a power input of 1 watt and shall be capable of sustaining a full power, long-term average output of 129 dB on axis at 1 meter (135 dB peaks). The full-range system, with passive network engaged,



shall handle 600 watts of amplified power long-term in compliance with AES-EIA standards and have a nominal impedance of 4 ohms.

The loudspeaker enclosure shall be constructed of 13-ply void-free cross-grain-laminated Birch plywood. It shall be finished in black or white acrylic paint or available unfinished. It shall be of a trapezoidal shape. Handles shall be recessed within the sides of the enclosure and of such design to allow safe handling from any direction. The top and bottom of the enclosure shall have L-track rigging installed and the rear shall have a pull-up point. Three single studded ancr fittings rated for overhead use shall be included with each loudspeaker system. Fittings shall include a tethered safety pin to ensure proper installation.

The two-way full-range loudspeaker system shall be the Electro-Voice model QRx-212/75.

Specifications

Frequency Response

-3 dB	75 Hz
-10 dB	52 Hz

Axial Sensitivity

SPL, 1 watt @ 1 m, Passive	102 dB
SPL, 1 watt @ 1 m, Biamp (LF/HF)	101/112 dB

Impedance

Passive	4 ohms
Biamp	4/8 ohms

Power Handling

Passive — Long-term EIA	600 watts
Short-term peak	2400 watts
Biamp — LF Long-term EIA	600 watts
Short-term peak	2400 watts
Biamp — HF Long-term AES	75 watts
Short-term peak	300 watts

Calculated Maximum Output SPL

Long-term	129 dB
Peak	135 dB

Nominal Coverage Angle

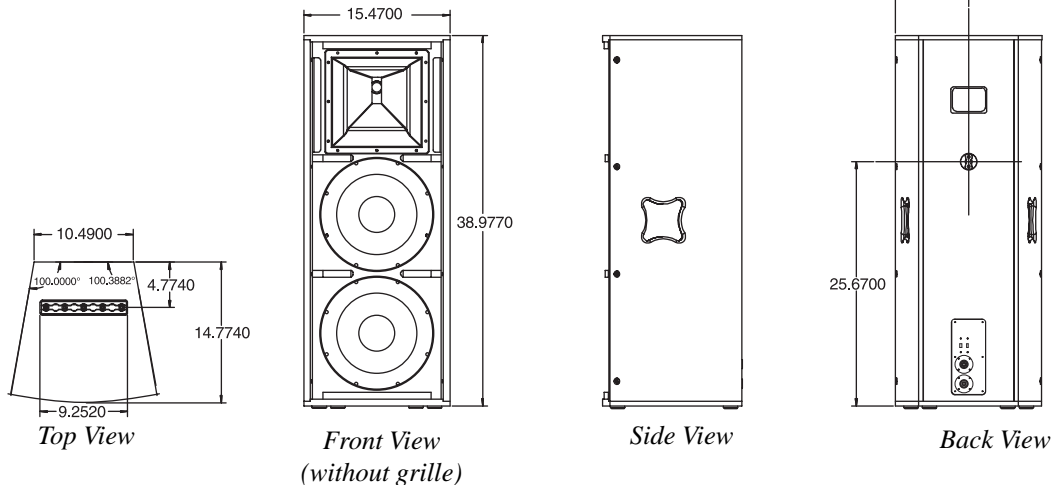
Horizontal (-6 dB)	75°
Vertical (-6 dB)	+15°/-35°

Dimensions

Height	38.98 in. (990.1 mm)
Width at front	15.47 in. (392.9 mm)
Width at back	10.79 in. (274.1 mm)
Depth	14.77 in. (375.2 mm)

Weights

Net weight	80 lb (36 kg.)
Shipping Weight	88 lb (40 kg.)



Speaker Description

Part Number 301115-001

LF Section & Components (2) 12-inch woofers in vented enclosure

HF Section & Components DH7 compression driver with 3-inch titanium diaphragm on asymmetric 75 x 50 horn

System Configuration Two-way, Full-range

Powering Configuration Switchable passive or biamp

Recommended Active High-pass Frequency (12 dB/octave min.) 45 Hz

Recommended Active Crossover Frequency (24 dB/octave min.) 1500 Hz

Passive Crossover Frequency 1800 Hz

Cabinet Type (shape) Trapezoid

Enclosure Materials 13-ply birch plywood

Finish Black acrylic textured paint

Connectors Two Neutrik® NL4

Suspension Hardware

L-track top and bottom; single-stud plate on back for pull-up

Grille Powder-coated perforated 16-GA steel

Options: WHI-white textured paint

UN-unfinished

Accessories SST-1 single stud rigging fitting

USA 12000 Portland Ave South, Burnsville, MN 55337, Phone: 952-884-4051, Fax: 952-884-0043
Canada 705 Progress Avenue, Unit 46, Scarborough, Ontario, Canada, M1H2X1, Phone: 416-431-4975, 800-881-1685, Fax: 416-431-4588
Germany Hirschberger Ring 45, D94315, Straubing, Germany, Phone: +49 9421-706 0, Fax: +49 9421-706 287
France Parc de Courcerin, Allée Lech Walesa, Lognes, 77185 Marne la Vallée, France, Phone: +33 1 6480-0090, Fax: +33 1 6480-4538
Australia Unit 23, Block C, Slough Business Park, Slough Avenue, Silverwater, N.S.W. 2128, Australia, Phone: +61 2-9648-3455, Fax: +61 2-9648-5585
Hong Kong Unit E & F, 21/F, Luk Hop Industrial Bldg., 8 Luk Hop St., San PO Kong, Kowloon, Hong Kong, Phone: +852-2351-3628, Fax: +852-2351-3329
Japan 5-3-8 Funabashi, Setagaya-ku, Tokyo, 156-0055 Japan, Phone: +81 3-5316-5020, Fax: +81 3-5316-5031
Singapore 3015A Ubi Rd 1, 05-10, Kampong Ubi Industrial Estate, Singapore 408705, Phone: +65-746-8760, Fax: +65-746-1206
Mexico Av. Parque Chapultepec #66-201, Col. El Parque Edo. De Mexico 53390, Mexico, Phone: +52 5358-5434, Fax: +52 5358-5588
UK 4, The Willows Centre, Willow Lane, Mitcham, Surrey CR4 4NX, UK, Phone: +44 181 640 9600, Fax: +44 181 646 7084
Africa/Mid-East Hirschberger Ring 45, D94315, Straubing, Germany, Phone: +49 9421-706 0, Fax: 49 9421-706 287
Latin America 12000 Portland Ave South, Burnsville, MN 55337, Phone: 952-887-7491, Fax: 952-887-9212

www.electrovoice.com • Telex Communications, Inc. • www.telex.com

© Telex Communications, Inc. 07/2001

Part Number 38110-009 Rev A



Electro-Voice®

U.S.A. and Canada only.

For customer orders, contact the Customer Service department at
800/392-3497 Fax: 800/955-6831

For warranty repair or service information, contact the Service
Repair department at 800/685-2606

For technical assistance, contact Technical Support at 866/78AUDIO

Please refer to the Engineering Data Sheet for warranty information.

Specifications subject to change without notice.