

**Key Features:**

- **650W Dynamic Power**
- **12-inch High-Excursion LF Transducer**
- **Trapezoidal Shape allows for flexible placement**
- **Secure Reinforced Cabinet Construction with Mounting Hardware included**
- **High Sensitivity, 126 dB Max SPL<sup>1</sup>**
- **Paintable Enclosure available in Black or White Finishes**
- **High-Pass Filtered Line Output**
- **Variable Active Crossover**



**General Description:**

The Electro-Voice® EVID 12.1P is a subwoofer system designed to complement the EVID™ line of full-range loudspeakers. The 12.1P is ideal for supplementing the bass response of any EVID™ model in an indoor application. It is particularly useful in sports bars, dance floors, retail environments, health clubs, restaurants, etc. The 12.1P adds the extra dimension of a powerful low end where foreground music is desired. Its 650 watts of dynamic power and 126 dB maximum sensitivity<sup>1</sup> is enough to satisfy any music requirement when used with EVID™ Surface Mount Speakers.

The 12.1P's slot-loaded design allows for flexible mounting and placement while delivering the smoothest bass response possible. Reinforced steel-fastener construction and the low-profile bracket allow for a variety of wall, corner and ceiling mounting configurations.

The 12.1P is available in black or white, and can easily be painted to match the decor. All mounting hardware is included.

**Technical Specifications:**

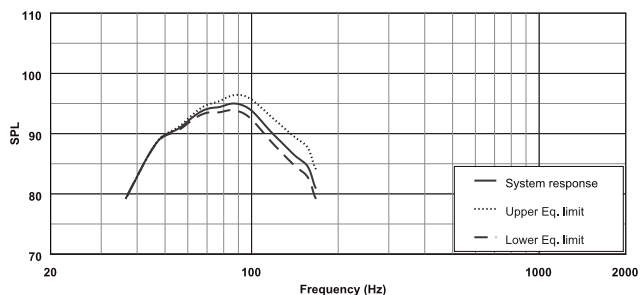
Freq. Response (-10 dB):	42 Hz - 160 Hz
Max Calculated SPL <sup>1</sup> :	126 dB
LF Amplifier Power:	650W 50ms Burst, 300W Continuous
Line Input Sensitivity:	-12 dBu to 0 dBu for Full Output
LF Transducer:	12" (300 mm) High-Excursion Dual Voice-Coil
Connectors:	
Line Inputs:	XLR
Balanced Outputs:	XLR
Power Requirement:	110-130 VAC, 50-60 Hz
Enclosure Material:	MDF, Steel Fastener Reinforced
Included Accessories:	Mounting Bracket and Hardware
Dim (H x W x D):	16.25" x 23.0" x 12.0" (412 mm x 584 mm x 305 mm)
Net Weight:	49.0 lbs (22.2 kg)
Shipping Weight:	57.0 lbs (25.9 kg)

<sup>1</sup> 1/8 Space (Corner Mounting) @ 1 Meter

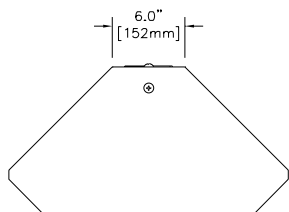
## Architects' & Engineers' Specifications:

The loudspeaker shall be a single driver system consisting of one 12-inch (300 mm) low-frequency and frequency-dividing network installed in a vented, slot-loaded enclosure. The loudspeaker system shall meet the following performance criteria: Amplifier Power: 300 watts long-term program using EIA RS-426A pink noise (6 dB crest factor). Frequency response, 42 Hz–160 Hz (-10 dB from rated sensitivity). The enclosure shall be MDF and constructed with both glue and steel fasteners. The enclosure shall be 16.5" (412 mm) high, 23" (584 mm) wide, 12" (305 mm) deep. The finish shall be a paintable black or white. The grille shall be acoustically transparent foam. The support bracket shall be low profile and integral with the enclosure. The cabinet shall be designed for ceiling mounting with additional accessory materials. All standard mounting hardware shall be included for wall or corner placement. The loudspeaker shall be the Electro-Voice® EVID model 12.1P.

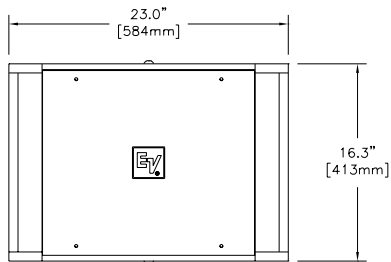
## Frequency Response:



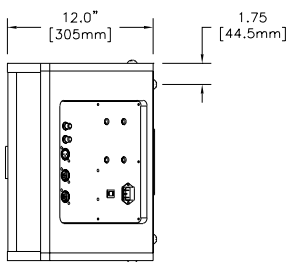
## Dimension Drawings:



Top View

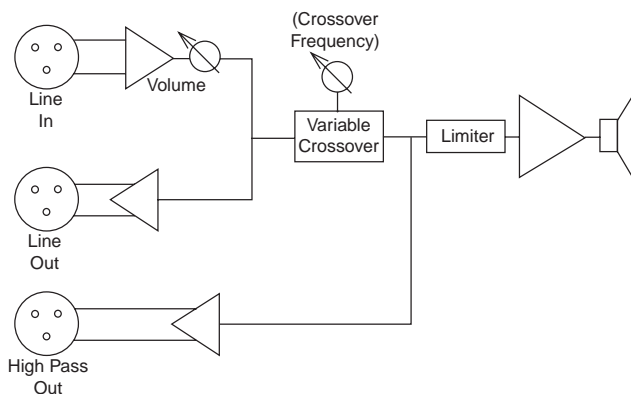


Front View



Side View

## Block Diagram:



## Performance Match:

- EVID 3.2(t) Surface Mount Speaker
- EVID 4.2(t) Surface Mount Speaker
- EVID 6.2(t) Surface Mount Speaker

## EVID 12.1P Part Number

- 301364-001



12000 Portland Avenue South, Burnsville, MN 55337  
Phone: 952/884-4051, Fax: 952/884-0043

[www.electrovoice.com](http://www.electrovoice.com)

© Telex Communications, Inc. 1/2003

Part Number 38110-200 Rev A

U.S.A. and Canada only. For customer orders, contact Customer Service at:

800/392-3497 Fax: 800/955-6831

Europe, Africa, and Middle East only. For customer orders, contact Customer Service at:

+ 49 9421-706 0 Fax: + 49 9421-706 265

Other International locations. For customer orders, contact Customer Service at:

+ 1 952 884-4051 Fax: + 1 952 736-4212

For warranty repair or service information, contact the Service Repair department at:

800/685-2606

For technical assistance, contact Technical Support at: 866/78AUDIO

Specifications subject to change without notice.