

Eliminator kW

Eliminator kW
Dual 18-inch
Subwoofer
Speaker System



Key Features:

- Two powerful EV DL18 woofers have 1000 watt continuous, 4000 watt peak power handling and 101 dB sensitivity to deliver 131 dB continuous, 137 dB peak output
- Large, slotted vents in the middle of the enclosure move more air with less vent compression for greater low-bass output
- Sealed tilt-back pocket wheels and rear mounted handles allow easy one-person portability
- Integral 1-3/8 inch metal stand mount and 18 inch pole included for elevating full-range speakers above the sub
- Strong Roadwood™ enclosure is heavily braced and covered in black industrial-grade carpeting
- Made in the U.S.A.



General Description:

The Eliminator kW dual 18-inch subwoofer is designed to add high-output, high-impact deep bass response to any sound system. The Eliminator kW uses EV DL18 woofers that provide high excursion capability and resistance to overload for increased reliability and long life. Although it is part of the Eliminator i family, the Eliminator kW may be used to augment the performance of any EV speaker system. The Eliminator kW can move tremendous amounts of air at low frequencies thanks to its combination of innovative enclosure design and powerful EV drivers. In the center of the enclosure are large slotted vents optimized for maximum low frequency efficiency. The vents are tuned to 38 Hz to deliver more low bass than most professional woofer systems. The enclosure is built of Roadwood™, a composite material that is void-free and unaffected by temperature and humidity. Roadwood™ is half the weight and twice the strength of particleboard. The Eliminator kW is easily moved by only one person thanks to its rear-mounted pocket wheels and comfort-lift handles.

The enclosure is covered in black industrial-strength carpeting that holds up well under the demands of portable audio. It comes complete with a metal stand mount and 18-inch steel pole for elevating another system. A heavy 18-gauge steel grille protects the woofers. Paralleled Neutrik Speakon input connectors are used exclusively for reliable, loss-free signal transfer.

Technical Specifications:

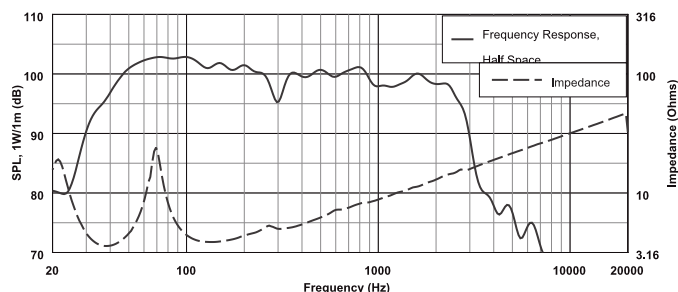
Freq. Response ¹ (-3 dB):	40 Hz - 300 Hz
Freq. Range ¹ (-10 dB):	33 Hz - 2.8 kHz
Max Calculated SPL ¹ :	137 dB (Peak)
Horizontal Coverage:	Omnidirectional
Vertical Coverage:	Omnidirectional
Power Handling:	1000W Continuous, 4000W Peak
Sensitivity:	101 dB, 1W/1m
Transducers:	(2) DL18mt 18" (457mm) Drivers
Enclosure Tuning Freq:	38 Hz
Recommended Hi-Pass Frequency:	35 Hz, 12dB/oct min.
Recommended Crossover Frequency:	160 Hz Linkwitz-Reilly
Connectors:	Dual Neutrik NL4's
Enclosure Material:	Roadwood
Grille:	16 GA steel
Dim (H x W x D):	44.9" x 22.4" x 23.5" (1140 x 569 x 597 mm)
Net Weight (each):	145 lbs (65.8 kg)
Shipping Weight:	153 lbs (69.4 kg)

¹ Half Space measurement.

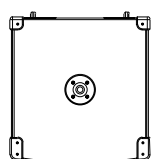
General Description(cont'):

The Eliminator kW can be safely used with power amplifiers capable of delivering up to 2000 watts into a 4-ohm load, but is efficient enough to deliver outstanding performance with as little as 400 watts. Recommended crossover frequency range is from 80-160 Hz with minimum crossover slopes of 12-dB-per-octave. Like all other vented systems, it is sensible to protect the Eliminator kW and maximize its available output by inserting an active 35 Hz subsonic filter with a minimum slope of 12-dB-per-octave into the signal chain.

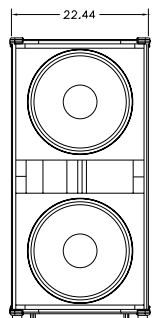
Frequency Response:



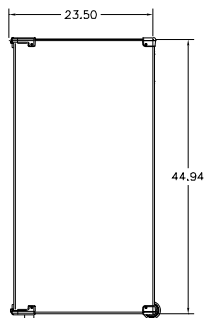
Dimension Drawings:



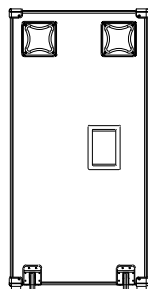
TOP VIEW



FRONT VIEW

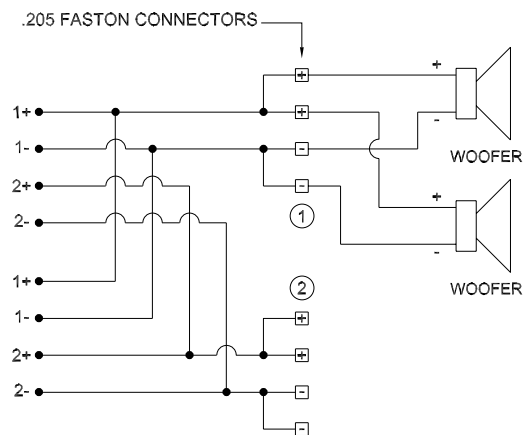


SIDE VIEW



BACK VIEW

Block Diagram:



Performance Match:

- Eliminator i - 15-inch two-way
- Eliminator i Double - Dual 15-inch two-way
- AC-One loudspeaker controller
- Dx38 digital sound system controller
- Q66 stereo power amplifier
- P2000 stereo power amplifier

Eliminator kW Part Number:

- Eliminator kW - 301161-000



12000 Portland Avenue South, Burnsville, MN 55337
Phone:952/884-4051, Fax:952/884-0043

www.electrovoice.com

© Telex Communications, Inc. 7/2002

Part Number 38109-993 Rev A

U.S.A. and Canada only. For customer orders, contact Customer Service at:

800/392-3497 Fax: 800/955-6831

Europe, Africa, and Middle East only. For customer orders, contact Customer Service at:

+ 49 9421-706 0 Fax: + 49 9421-706 265

Other International locations. For customer orders, contact Customer Service at:

+ 1 952 884-4051 Fax: + 1 952 887-9212

For warranty repair or service information, contact the Service Repair department at:

800/685-2606

For technical assistance, contact Technical Support at: 866/78AUDIO

Specifications subject to change without notice.