



**Key Features:**

- 100 zones available
- Up to 20 calling groups
- Selection of multiple zones or groups for announcements
- Prerecorded message triggering (message playback)
- Special function triggering (macros)
- Programmable priority
- Two-level password protection
- Acknowledgement signals
- Automatic hang-up
- Front panel audio level control



**General Description:**

The DTI 2000 is a microprocessor-controlled, configurable telephone interface that allows a ProAnnounce System to be connected to a telephone installation or the phone network. The DTI 2000 provides the user with a full functioning paging interface over a standard analog line. Remote triggering of signals, prerecorded messages and control functions (macros) within the ProAnnounce system are also possible via the DTI 2000.

The DTI 2000 uses DTMF tones and audio beeps to interact with the user. Two levels of password protection are provided to prevent unauthorized access to system functions. Audio from the caller is metered and adjusted from the front panel.

**Technical Specifications:**

Audio Output Level	0 dBu to + 20dBu
S/N-Ratio	> 60 dB
Frequency Response	300 Hz- 3.8 kHz (+0 / -6 dB)
Telephone Jack Socket	2 x RJ-11 (Loop-Thru)
DPM 4000 Interface	RJ-12, DB-9 female
Power Requirements	100-240 VAC, 50/60 Hz, 1 A
Dimensions (W x H x D)	8.19 x 1.73 x 7.99 inches
	208 x 44 x 203 mm
Weight	4.41 lb (2.0 kg)

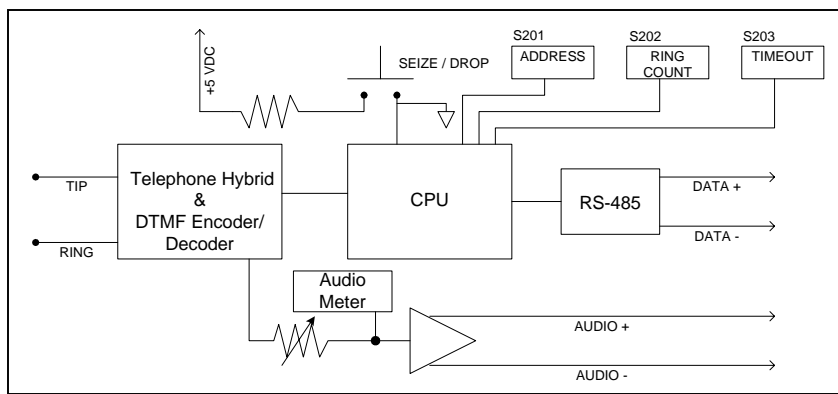
## Architecture & Engineering Specs:

The telephone paging interface shall provide the same functions and programmability as a DPC 4000 series paging station. It shall connect to a standard analog (POTS) line or equivalent service. It shall have audio and RS-485 connections that use the standard DPC connector on the DPM 4000PA paging controller. The unit shall provide password protection. It shall provide acknowledgement signals and control via DTMF tones. It shall automatically hang-up after a call is completed. The interface shall be configurable for various telephone systems. The unit shall be the DTI 2000 telephone interface.

## Ordering Information:

Model	Description	Cat. No.
DTI-2000	Main Unit	121813
MCP1	Dual Rack Mount	90027728000
MCP2	Single Rack Mount	90027728001

## Block Diagram:



## Dimension Drawings:

