

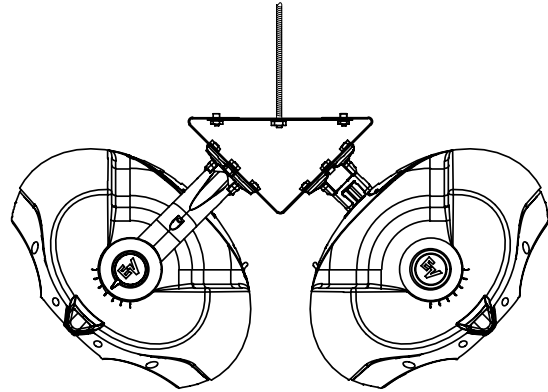


AB-32 / AB-62 Array Bracket System

Assembly and Installation Instructions

180° Array Bracket Kit

AB-32 and AB-62 series kits feature a 2 sided powder coated steel mounting assembly that allows the mounting of 2 EVID speakers into a 180° pattern array configuration. The AB-32 works with the EVID 3.2 series and can be used with a threaded rod for suspension from the ceiling. The AB-62 allows the EVID 4.2 or 6.2 series speakers to be used with a speaker stand tripod or hung from the ceiling utilizing a threaded rod as shown. The EVID's position can then be adjusted using the Strong Arm Mount™ to cover a variety of patterns to best serve the installation requirements. All assembly hardware is included in packaging.



Evid 6.2/4.2 180° Array Bracket Kit Includes		
Item	Qty.	Description
1	1	Array Bracket, Evid 6.2/4.2
2	1	Vertical Array Adapter, Evid 6.2/4.2
3	12	Screw, 1/4-20 x .5"
4	16	Flat Washer, (1/4" Inside Dia.)
5	16	Lock Nut, 1/4"-20
6	4	Flat Head Screw, 1/4-20 x .5"
7	1	180° Array Adapter, Evid 6.2/4.2
8	1	Pole Mount

Evid 3.2 180° Array Bracket Kit Includes		
Item	Qty.	Description
1	1	Array Bracket, Evid 3.2
2	1	Vertical Array Adapter, Evid 3.2
3	12	Screw, 1/4-20 x .5"
4	12	Flat Washer, (1/4" Inside Dia.)
5	12	Lock Nut, 1/4"-20

Ceiling Suspension (All Sizes)

Step 1: Assemble 180° Adapter Plate

Assemble the Vertical Array Adapter (Item 2, Fig. 1) to the Array Bracket (Item 1) using 4 Screws (Item 3), 4 Flat Washers (Item 4), and 4 Lock Nuts (Item 5) as shown in Figure 1.

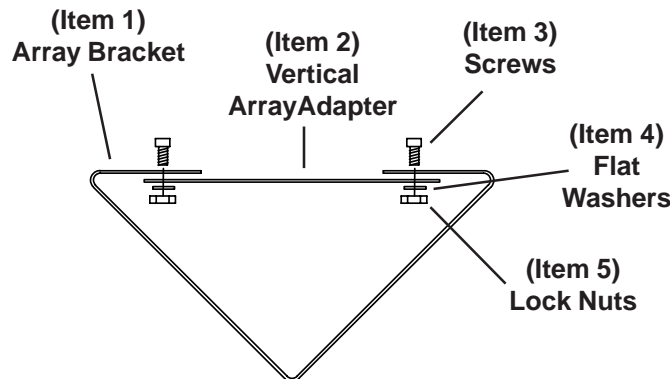


Figure 1
Evid 6.2/4.2/3.2 Bracket Assembly for
Threaded Rod Installation

Ceiling Suspension (Continued)

Step 2: Assemble SAM's to Array Bracket

Attach the Strong Arm Mounts to the Array Bracket (Item 1) using 4 Screws (Item 3), 4 Flat Washers (Item 4), and 4 Lock Nuts (Item 5) per SAM as shown in Figure 2.

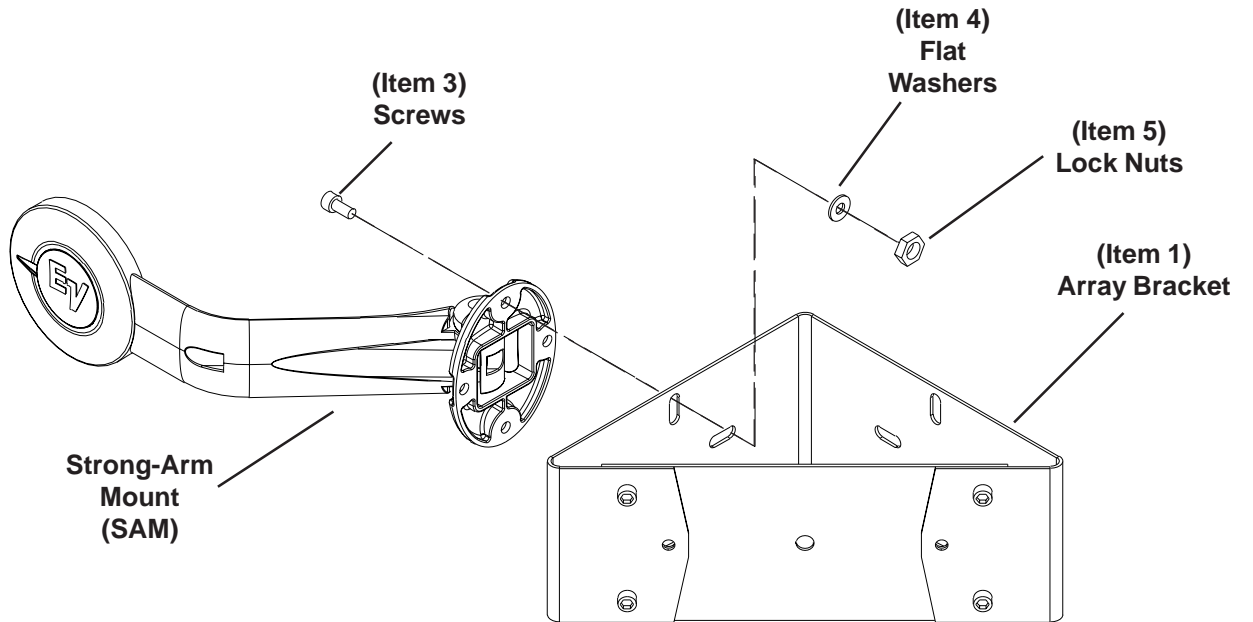


Figure 2
Evid 6.2/4.2 Bracket Assembly

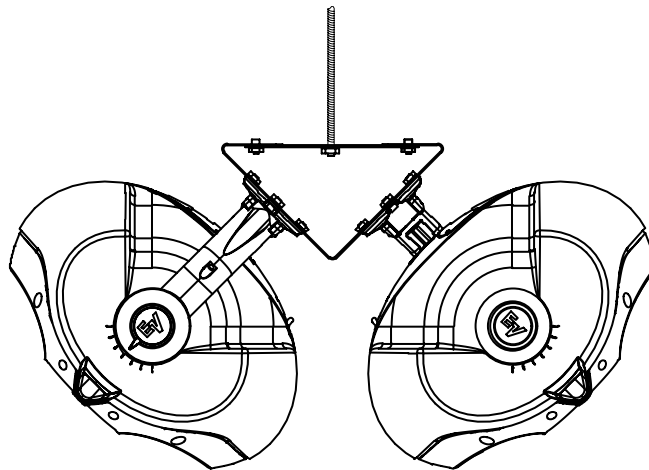


Figure 3
Threaded Rod Installation

Tripod Mounting (6.2/4.2 only)

Step 1: Assemble Array Bracket and 180° Array Adapter

Assemble 180° Array Adapter (Item 7) to the Array Bracket (Item 1) using 4 Screws (Item 3), 4 Flat Washers (Item 4) and 4 Lock Nuts (Item 5) as shown in Figure 4.

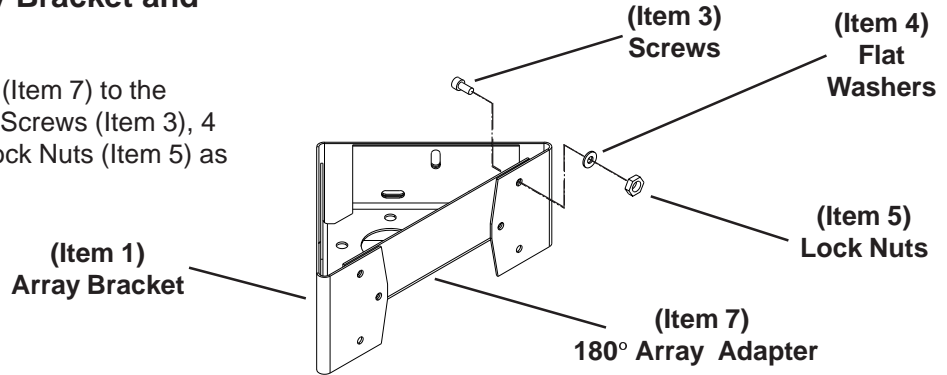


Figure 4

Step 2: Assemble SAM's and Array Bracket

Assemble Strong Arm Mounts to the Array Bracket (Item 1) using 4 Screws (Item 3), 4 Flat Washers (Item 4) and 4 Lock Nuts (Item 5) on each Strong Arm Mount as shown in Figure 5. Three of the four bolts on each Strong Arm Mount will be used to attach the 180° Array Adapter (3).

NOTE: Three of the four bolts on each Strong Arm Mount should be used to attach the Array Adapter to the Array Bracket.

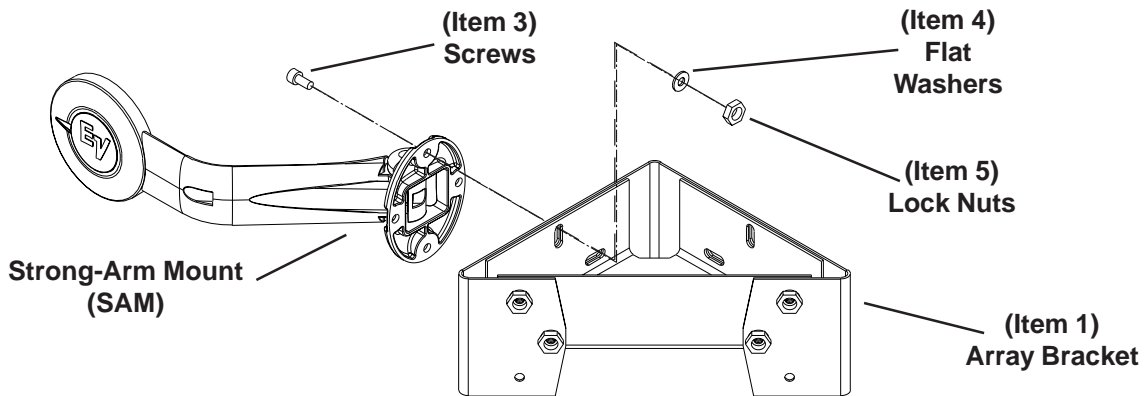


Figure 5

Step 3: Assemble Pole Mount and 180° Array Adapter

Assemble Pole Mount (Item 8) to the 180° Array Adapter (Item 7) using 4 Flat Head Screws (Item 6), 4 Flat Washers (Item 4) and 4 Lock Nuts (Item 5) as shown in Figure 6.

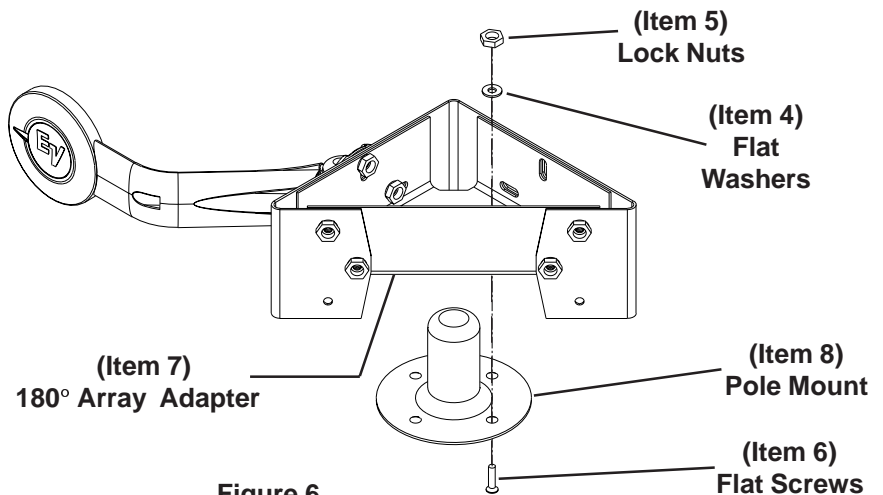
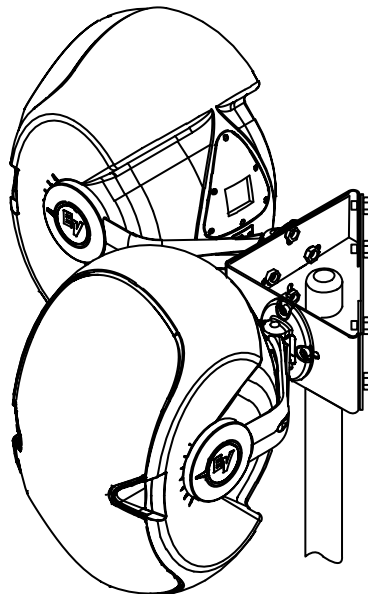
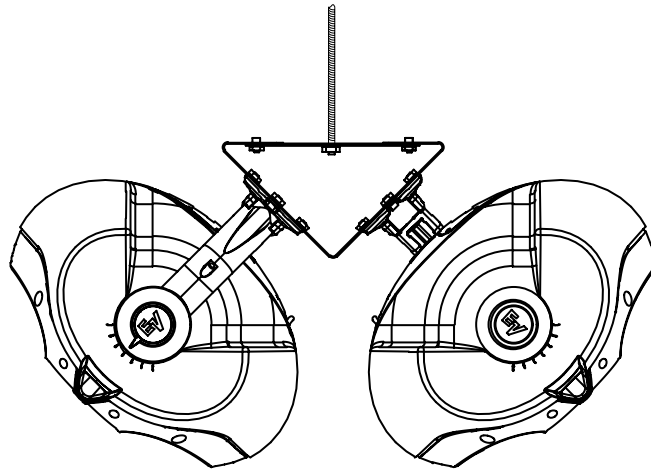


Figure 6



Suspension Safety Warning

This guide provides instruction on how to use EVID components to create example arrays. Correct use of this hardware is required for secure array construction. Only persons with the knowledge of proper hardware and safe suspension techniques should attempt to suspend any sound systems overhead. **CAUTION!** The weakest component determines the size and safety of the entire array. Before suspending any array always inspect all components of the array including building structural supports for cracks, deformations, corrosion or damage that could reduce strength and safety of the array.

It is the responsibility of the user to ensure that any Electro-Voice loudspeaker system is suspended overhead in accordance with all current federal, state, and local regulations.