



Articulating Wall Mount

Model: awm125

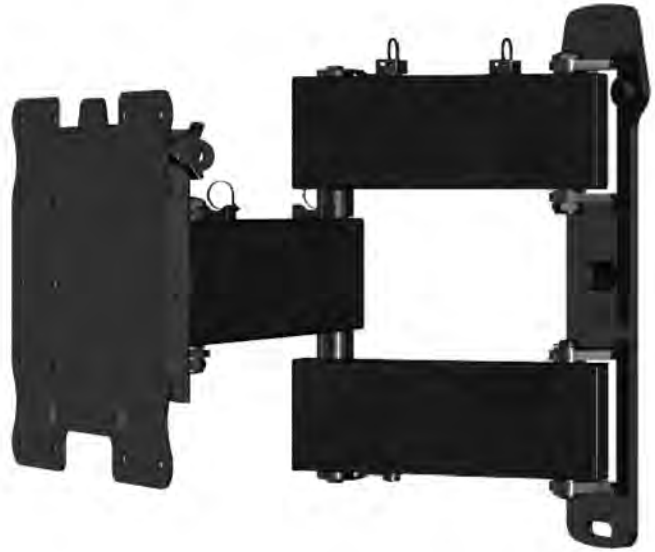
VESA 75/100 100/200 200/200 Compliant
Recommended display sizes 22" to 36"

Features

- 125 lb. load capacity
- Tilts up 5° and down 15°
- Fine horizontal adjustment feature
- Cable management included
- Anti-Creep tension adjustment
- All hardware included
- Includes VESA 100/200 adapter plate
- 3.8" thin profile when closed
- Durable powder coated finish

Accessories

iwb125



See in wall application
for this product page 26

Specifications

Package Dimensions

| | | |
|---|---|---------------|
| W | = | 16.00 (406mm) |
| L | = | 14.25 (362mm) |
| H | = | 4.00 (101mm) |

Load capacity 125 lbs (57 kg)

Shipping weight 18.16 lbs (8.23 kg)

UPC code 689076394062

